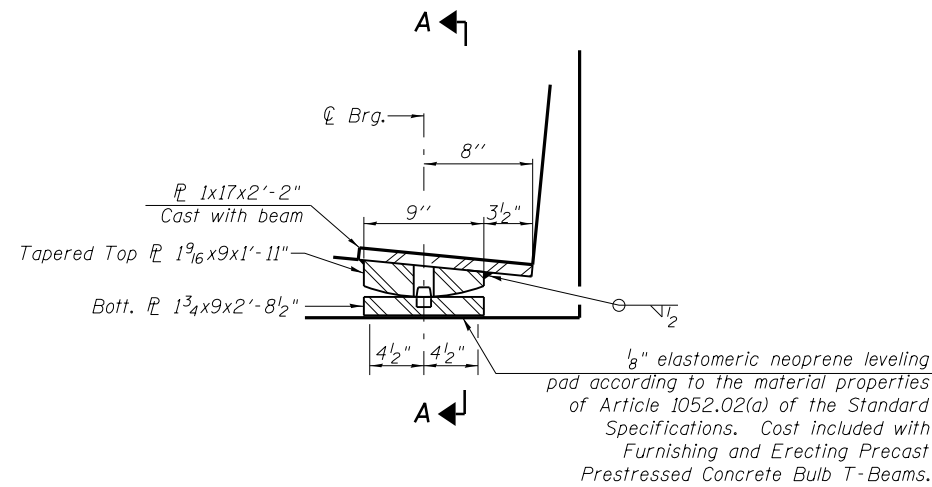
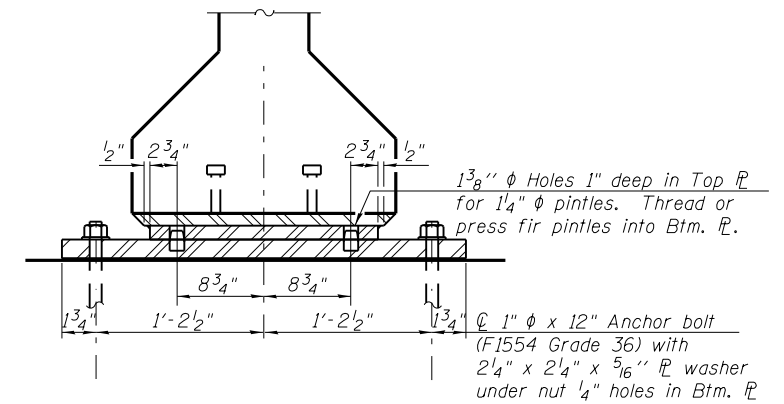


**SECTION AT WEST ABUT. LOOKING NORTH**

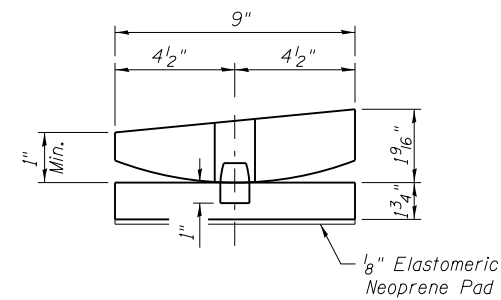


**SECTION AT EAST ABUT. LOOKING NORTH**

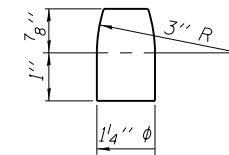


**SECTION A-A**

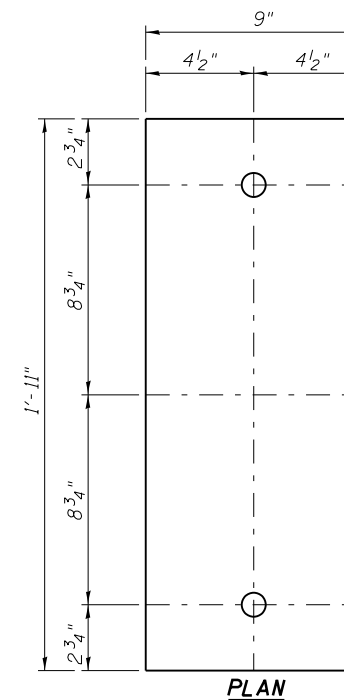
**FIXED BEARING**



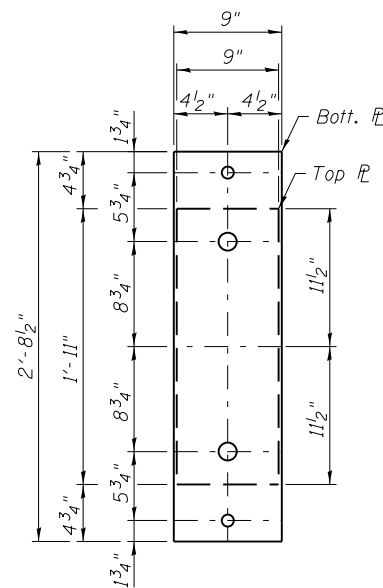
**BEARING ASSEMBLY**



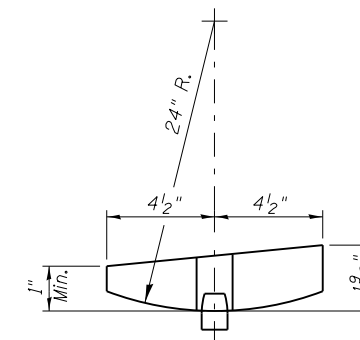
**PINTLE**



**PLAN**



**PLAN OF TOP & BOTTOM PLATES**



**ELEVATION**

**TAPERED PLATE**  
(1 9/16" x 9" x 1'-11")

**Notes:**

Anchor bolts shall be ASTM F1554 all-thread (or an Engineer-approved alternate material) of the grade(s) and diameter(s) specified. ASTM A307 Grade C anchor bolts may be used in lieu of ASTM F1554 Grade 36 (Fy=36ksi). The corresponding specified grade of AASHTO M314 anchor bolts may be used in lieu of ASTM F1554.

Anchor bolts at fixed bearings may be either cast in place or installed in holes drilled after the supported member is in place and prior to pouring the deck.

Drilled and set anchor bolts shall be installed according to Article 521.06 of the Standard Specifications.

See sheet 15 of 22 for additional details of plate cast with beam.

All (embedded and separate) bearing plates, anchor bolts, nuts, washers and pintles shall be galvanized according to AASHTO M111 or M232 as applicable.

**BILL OF MATERIAL**

Item	Unit	Total
Furnishing and Erecting Structural Steel	Pound	2,670
Anchor Bolts, 1 Inch	Each	24

**HOELSCHER ENGINEERING**  
Fairview Heights, IL  
Springfield, IL  
Champaign, IL

FILE NAME = IL104 over Liehr Creek.dgn	USER NAME =	DESIGNED - CMW	REVISED -
		CHECKED - SAL	REVISED -
	PLOT SCALE =	DRAWN - TJW	REVISED -
	PLOT DATE =	CHECKED - SAL	REVISED -

**STATE OF ILLINOIS**  
**DEPARTMENT OF TRANSPORTATION**

**BEARING DETAILS**  
**F.A.P.-745 (IL 104) OVER LIEHR CREEK - S.N. 075-0512**

SHEET NO. 18 OF 22 SHEETS

F.A.P. RTE.	SECTION	COUNTY	TOTAL SHEETS	SHEET NO.
745	108B-2	PIKE	64	42
CONTRACT NO. 72981				
FED. RD. DIST. NO. 6 ILLINOIS FED. AID PROJECT				