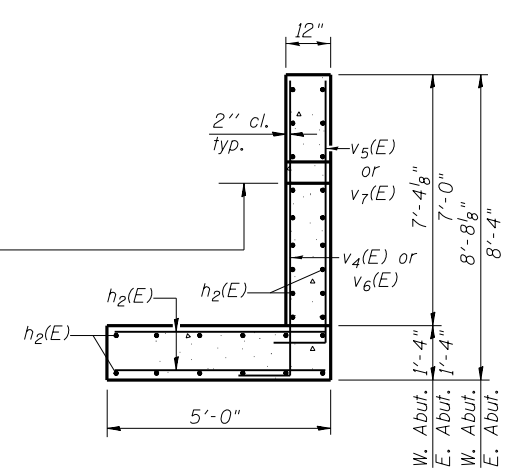
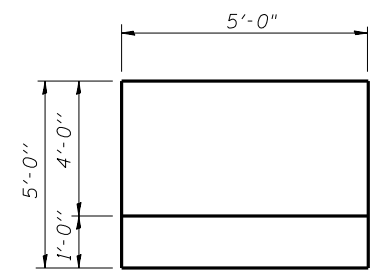
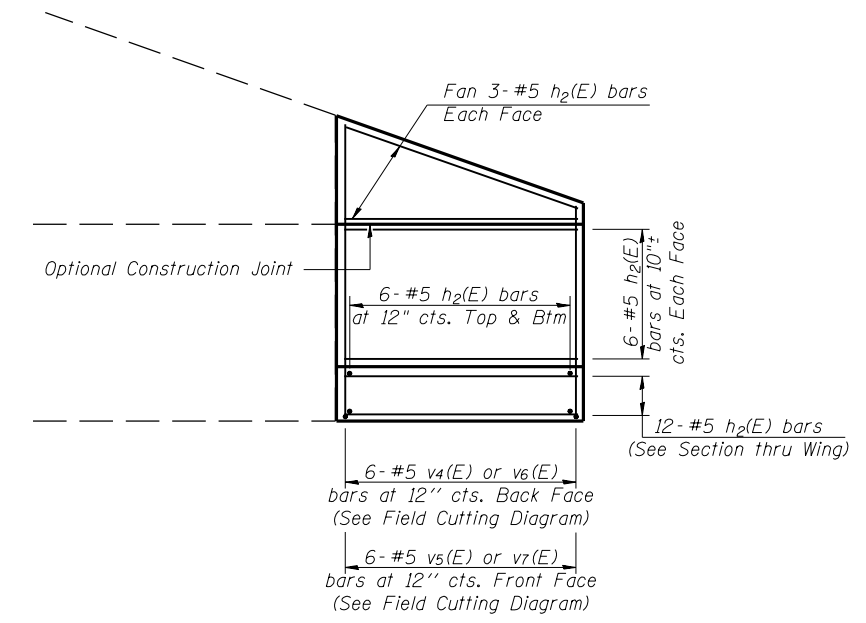


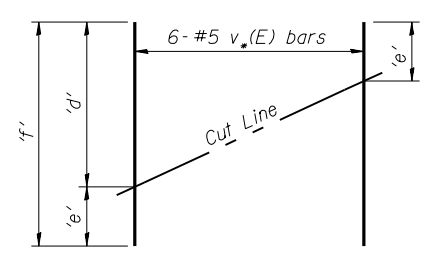
ELEVATION



SECTION THRU WING

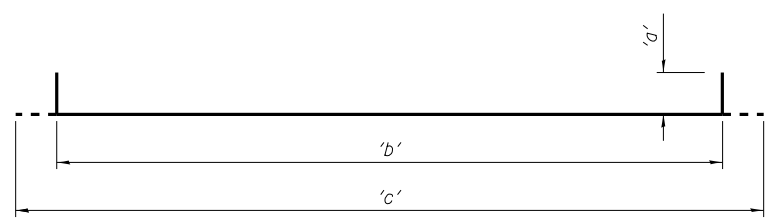


PLAN



FIELD CUTTING DIAGRAM

Order $v_4(E)$ full length. Cut as shown and use remainder of bars in opposite wingwall. Dimensions shown are after bending, see chart to the right.



BAR $v_4(E)$

| Dimension | Back Bars | | Front Bars | |
|-----------|-----------|----------|------------|----------|
| | $v_4(E)$ | $v_6(E)$ | $v_5(E)$ | $v_7(E)$ |
| a | 1'-8" | 1'-8" | 1'-8" | 1'-8" |
| b | 14'-6" | 13'-10" | 12'-8" | 12'-0" |
| c | 17'-10" | 17'-2" | 16'-0" | 15'-4" |
| d | 8'-6" | 8'-2" | 7'-7" | 7'-3" |
| e | 6'-0" | 5'-8" | 5'-1" | 4'-9" |
| f | 14'-6" | 13'-10" | 12'-8" | 12'-0" |

BILL OF MATERIAL

(West Abutment, 2 Wings)

| Bar | No. | Size | Length | Shape |
|----------------------------------|-----|------|---------|-------|
| $h_2(E)$ | 84 | #5 | 4'-8" | — |
| $v_4(E)$ | 6 | #5 | 17'-10" | — |
| $v_5(E)$ | 6 | #5 | 16'-0" | — |
| Concrete Structures | | | Cu. Yd. | 4.8 |
| Reinforcement Bars, Epoxy Coated | | | Pound | 620 |

BILL OF MATERIAL

(East Abutment, 2 Wings)

| Bar | No. | Size | Length | Shape |
|----------------------------------|-----|------|---------|-------|
| $h_2(E)$ | 84 | #5 | 4'-8" | — |
| $v_6(E)$ | 6 | #5 | 17'-2" | — |
| $v_7(E)$ | 6 | #5 | 15'-4" | — |
| Concrete Structures | | | Cu. Yd. | 4.6 |
| Reinforcement Bars, Epoxy Coated | | | Pound | 610 |

HOELSCHER ENGINEERING
Fairview Heights, IL
Springfield, IL
Champaign, IL