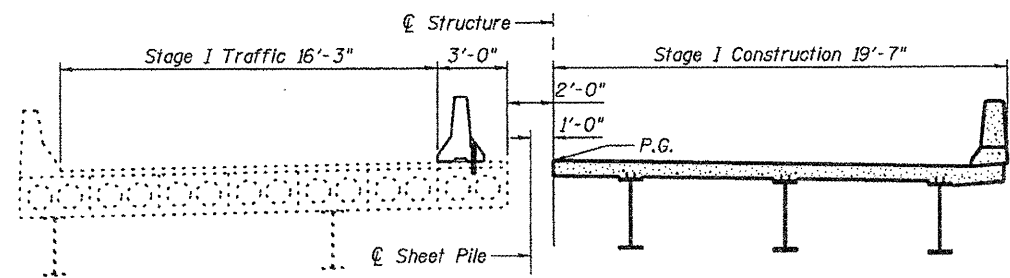
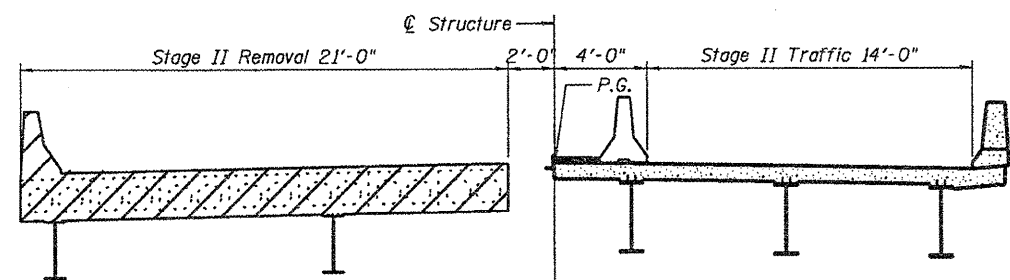


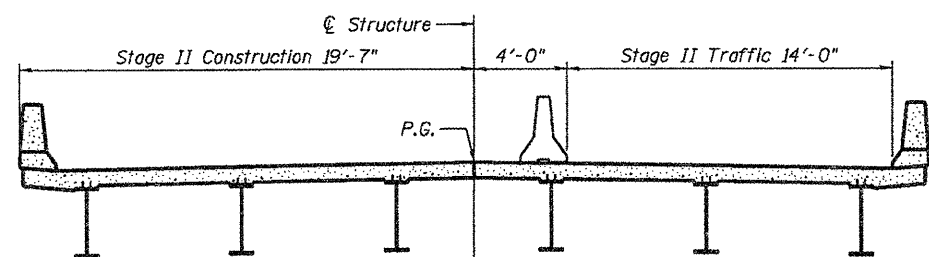
**STAGE I REMOVAL**



**STAGE I CONSTRUCTION**



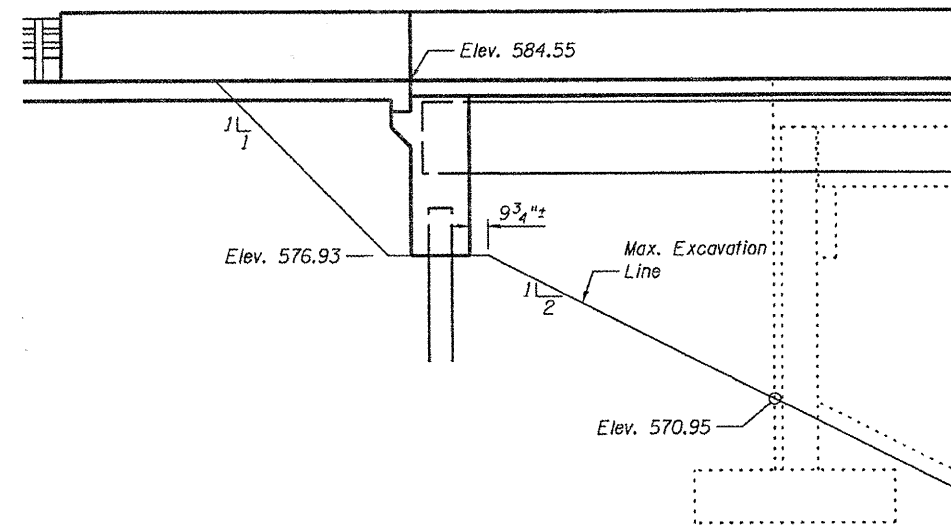
**STAGE II REMOVAL**



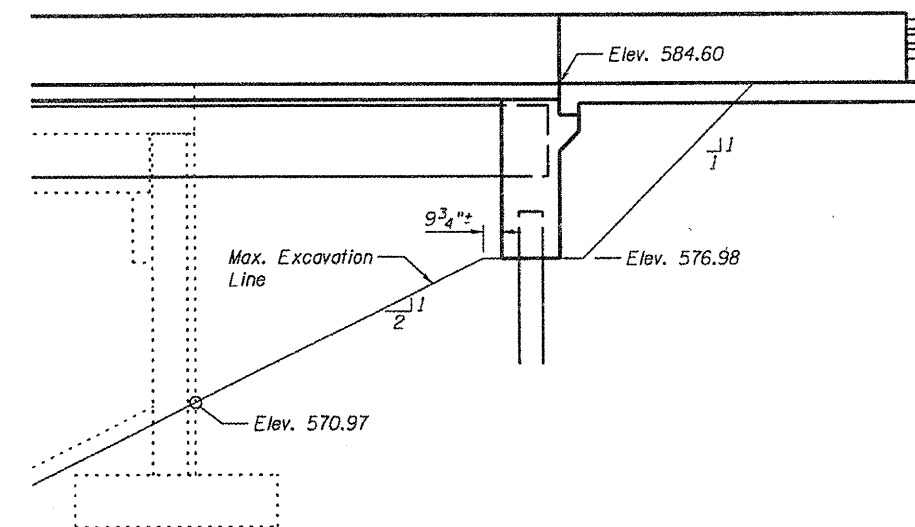
**STAGE II CONSTRUCTION**

**Notes:**

1. Hatched areas indicate removal.
2. All staging sections are looking North.
3. For quantity of Temporary Concrete Barrier, see roadway plans.
4. For details of Temporary Concrete Barrier see Sheet 4 of 20.



**TEMPORARY SOIL RETENTION SYSTEM**  
(South Abut.)



**TEMPORARY SOIL RETENTION SYSTEM**  
(North Abut.)

**Notes:**

1. A cantilevered sheet piling design does not appear feasible and additional members or other retention systems may be necessary. The Contractor shall submit a temporary soil retention system design including plan details and calculations for review and acceptance by the Engineer.

**BENTON & ASSOCIATES, INC.**

FILE NAME = P:\07e1828-2\Design\  
Plans\Structure Sheets\  
0688511-72B66-003-  
staging.dgn

USER NAME =	DESIGNED - MBH	REVISED -
PLOT SCALE =	CHECKED - S.JH	REVISED -
PLOT DATE =	DRAWN - MBH	REVISED -
	CHECKED - S.JH	REVISED -

**STATE OF ILLINOIS**  
**DEPARTMENT OF TRANSPORTATION**

**STAGED CONSTRUCTION DETAILS**  
**STRUCTURE NO. 068-0511**

SHEET NO. 3 OF 20 SHEETS

F.A.P. RTE.	SECTION	COUNTY	TOTAL SHEETS	SHEET NO.
42	105B-1	MONTGOMERY	63	24
CONTRACT NO. 72B66				
FED. ROAD DIST. NO. 6 ILLINOIS FED. AID PROJECT				