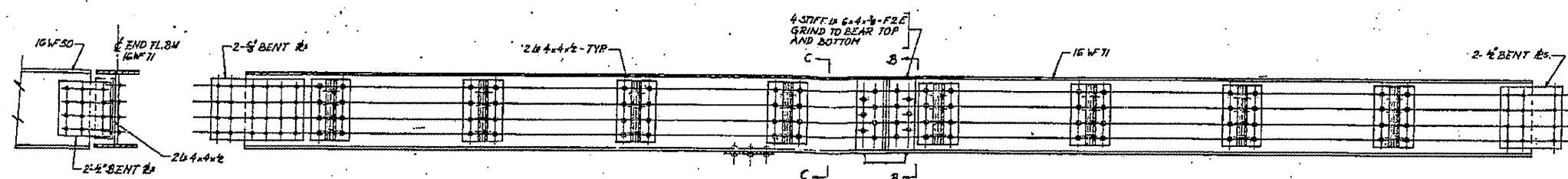


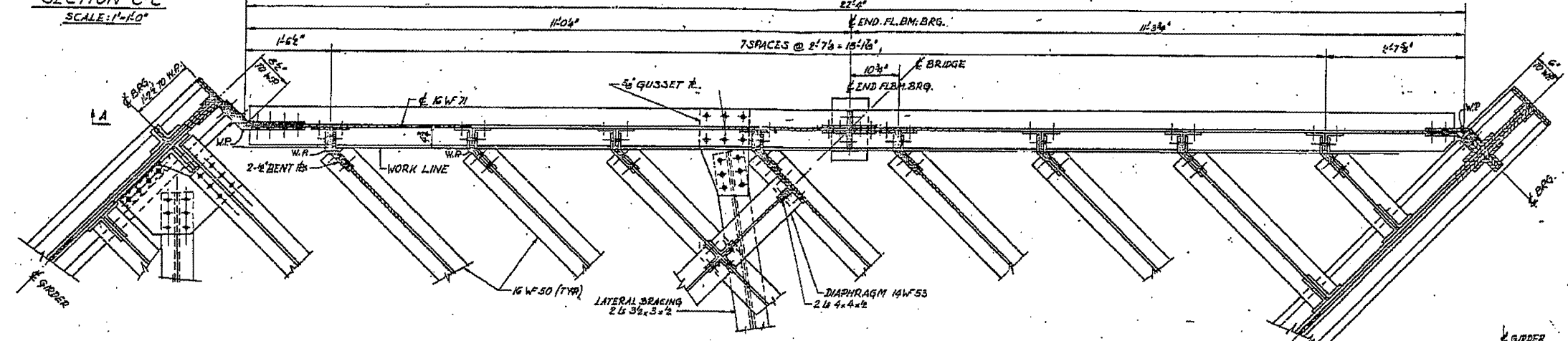
SECTION	COUNTY	TOTAL SHEETS
E.A. 5	100-755	SANGAMON
STA.	TO STA.	PROJECT
10+27.70	11+00.00	SECTION 100-755



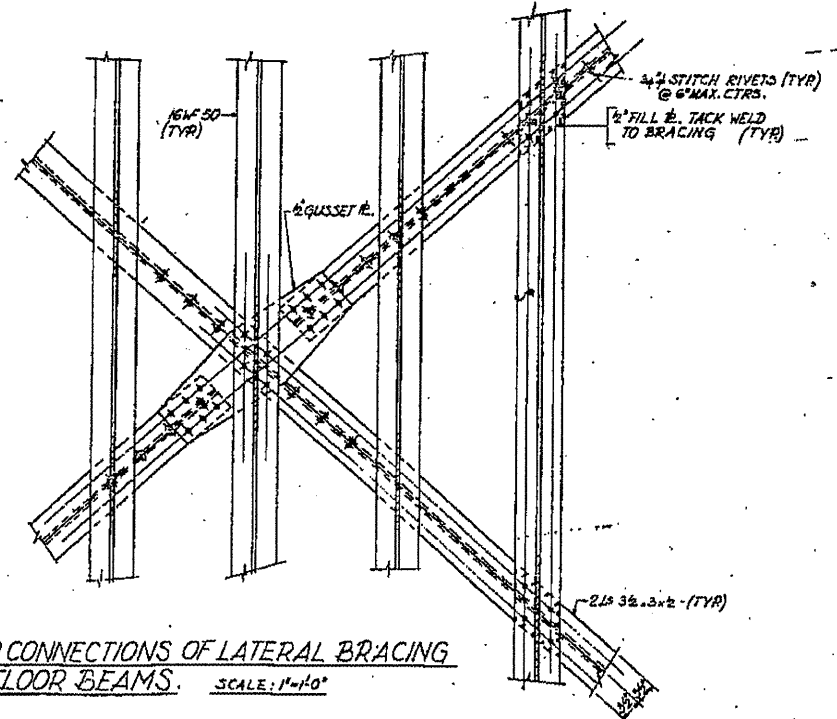
SECTION C-C
SCALE: 1"=10'

ELEVATION A-A
SCALE: 1"=10'

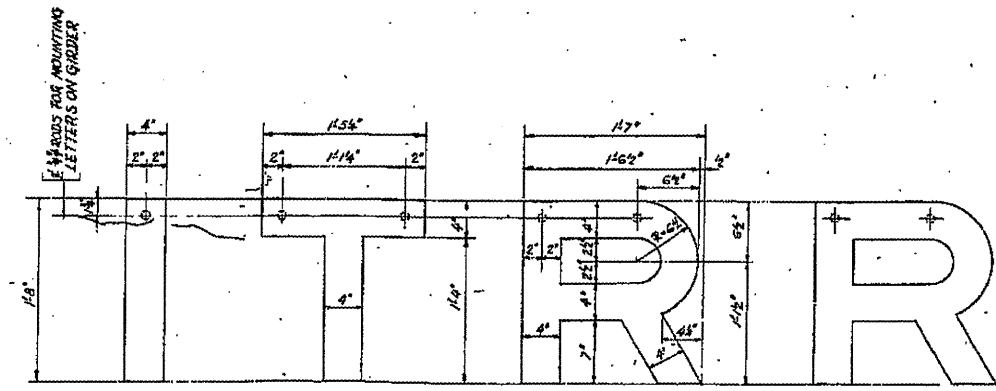
SECTION B-B
SCALE: 1"=10'



PLAN OF END FLOOR BEAM
SCALE: 1"=10'

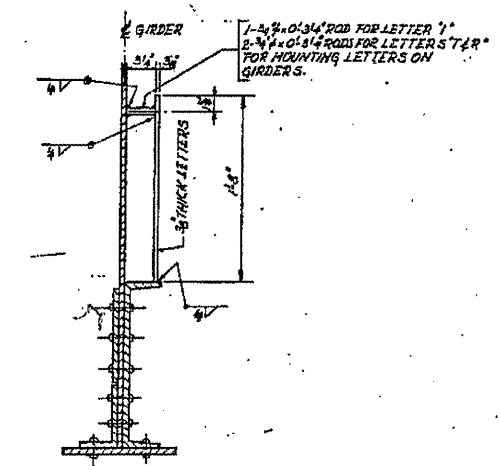


TYP CONNECTIONS OF LATERAL BRACING TO FLOOR BEAMS.
SCALE: 1"=10'



DETAIL OF LETTERS
ONE SET TO BE MOUNTED ON EACH GIRDER
SCALE: 1/2"=10'

NOTE:
I.T.R.R. LETTERS TO BE CUT FROM 3/8" STRUCTURAL STEEL PLATES. LETTERS MAY BE FLAME CUT, BUT EDGES MUST BE GRIND TRUE, SMOOTH AND EVEN. LETTERS SHALL BE GIVEN ONE SHOP COAT OF PAINT, SAME AS STRUCTURAL STEEL AND TWO FIELD COATS OF BLACK AUTO ENAMEL. LETTERS AND RODS FOR MOUNTING EMBLEM ON GIRDERS SHALL BE INCLUDED IN THE CONTRACT UNIT PRICE FOR RAILROAD EMBLEMS.
FOR LOCATION OF LETTERS SEE SECT. A-A, SHEET 3



SECTION THRU LETTER AT GIRDERS
SCALE: 1/2"=10'

ALFRED BENESCH & ASSOCIATES
CONSULTING ENGINEERS
10 E. WABASH AVE. CHICAGO, ILLINOIS

END FLOOR BEAM UNDERPASS			
I.T.R.R.	BRIDGE No. F-71.5	SPRINGFIELD, ILLINOIS	
OVER SOUTH 5 TH STREET EXTENDED PROJECT UG 166 (40)			
E.A. ROUTE 5	SECTION 100-755	SANGAMON COUNTY	
STATION 8+27.70			

FILE NAME =	USER NAME = *USER*	DESIGNED -	REVISED -
FILE#		DRAWN -	REVISED -
	PLOT SCALE = *SCALE*	CHECKED -	REVISED -
	PLOT DATE = *DATE*	DATE -	REVISED -

STATE OF ILLINOIS
DEPARTMENT OF TRANSPORTATION

084-0033 (FOR INFORMATION ONLY)

SCALE: _____ SHEET NO. _____ OF _____ SHEETS STA. _____ TO STA. _____

F.A.P. RTE.	SECTION	COUNTY	TOTAL SHEETS
666	D-6 PAINTING 2009	SANGAMON	13
	2012	CONTRACT NO. 72048	11
FED. ROAD DIST. NO. 6 ILLINOIS FED. AID PROJECT			