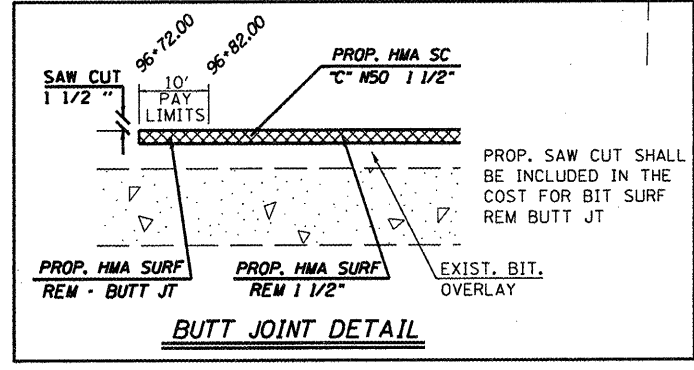


EXIST. CURVE PALMI
 PI STA. = 202+89.91
 $\Delta = 4^{\circ} 17' 02''$ (RT)
 $D = 0^{\circ} 34' 23''$
 $R = 10,000.00'$
 $T = 374.02'$
 $L = 747.68'$
 $E = 6.99'$
 $e =$
 $T.R. =$
 $S.E. RUN =$
 $P.C. STA. = 199+15.89$
 $P.T. STA. = 206+63.58$



FILE NAME =	USER NAME = coxju	DESIGNED - RSC	REVISED -
at:\pwork\pudot\coxju\d0221228\d672c8	ahst-plan-Chatham.dgn	DRAWN - JWC	REVISED -
PLDT SCALE = 40.00000 / in.		CHECKED - RSC	REVISED -
PLDT DATE = Oct-11-2011 11:04:08AM		DATE -	REVISED -

STATE OF ILLINOIS	DESIGNED - RSC	REVISED -
DEPARTMENT OF TRANSPORTATION	DRAWN - JWC	REVISED -
	CHECKED - RSC	REVISED -
	DATE -	REVISED -

STATE OF ILLINOIS
 DEPARTMENT OF TRANSPORTATION

PLAN SHEET
 CHATHAM RD.
 SCALE: 20 SHEET NO. 6 OF 6 SHEETS STA. 96+15.00 TO STA. 98+68.96

F.A.U. RTE. 7998	SECTION 110TS,NL	COUNTY SANGAMON	TOTAL SHEETS 95	SHEET NO. 28
ILLINOIS FED. AID PROJECT				