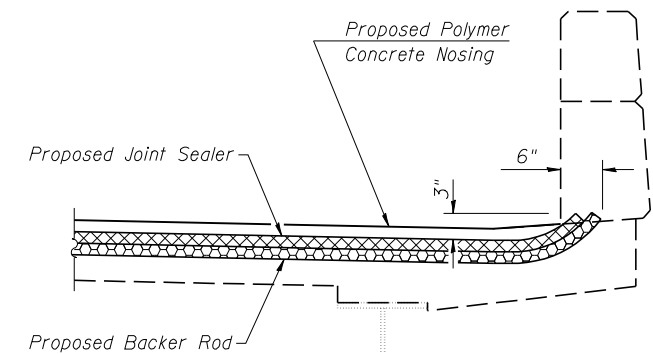
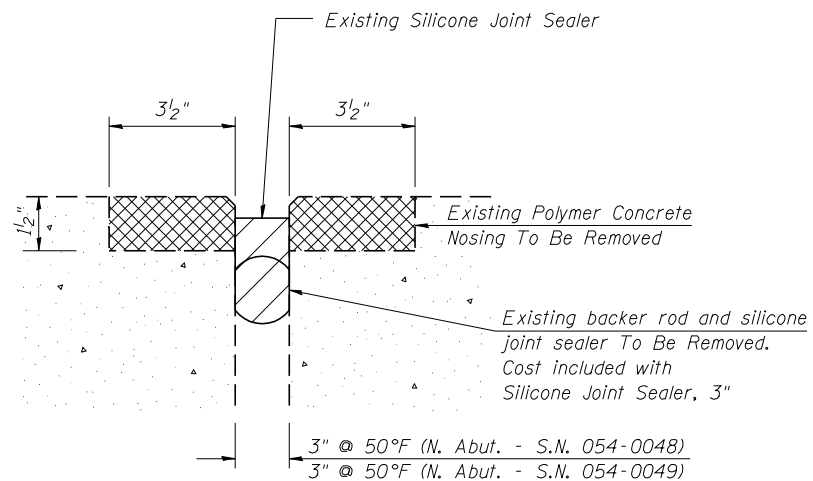


EXISTING EXPANSION JOINT DETAIL
(North Abutment)

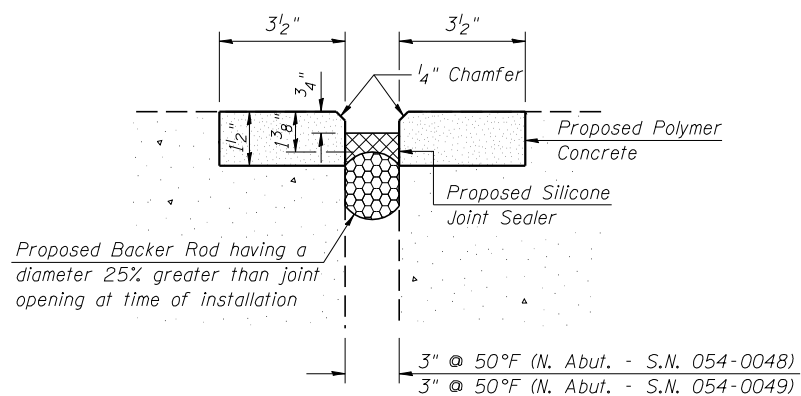


SECTION AT PARAPET



TYPICAL EXISTING JOINT CROSS SECTION
(North Abutment)

Note: Cross-hatched areas indicate limits of Concrete Removal



TYPICAL PROPOSED JOINT CROSS SECTION
(North Abutment)

**BILL OF MATERIAL
TWO STRUCTURES**

Item	Unit	Total
Silicone Joint Sealer, 3"	Foot	133
Polymer Concrete	Cu. Ft.	9.4
Concrete Removal	Cu. Yd.	0.4

**SILICONE JOINT SEALER WITH
POLYMER CONCRETE NOSINGS
NORTH ABUTMENT
S.N. 054-0048 (SB)
S.N. 054-0049 (NB)**