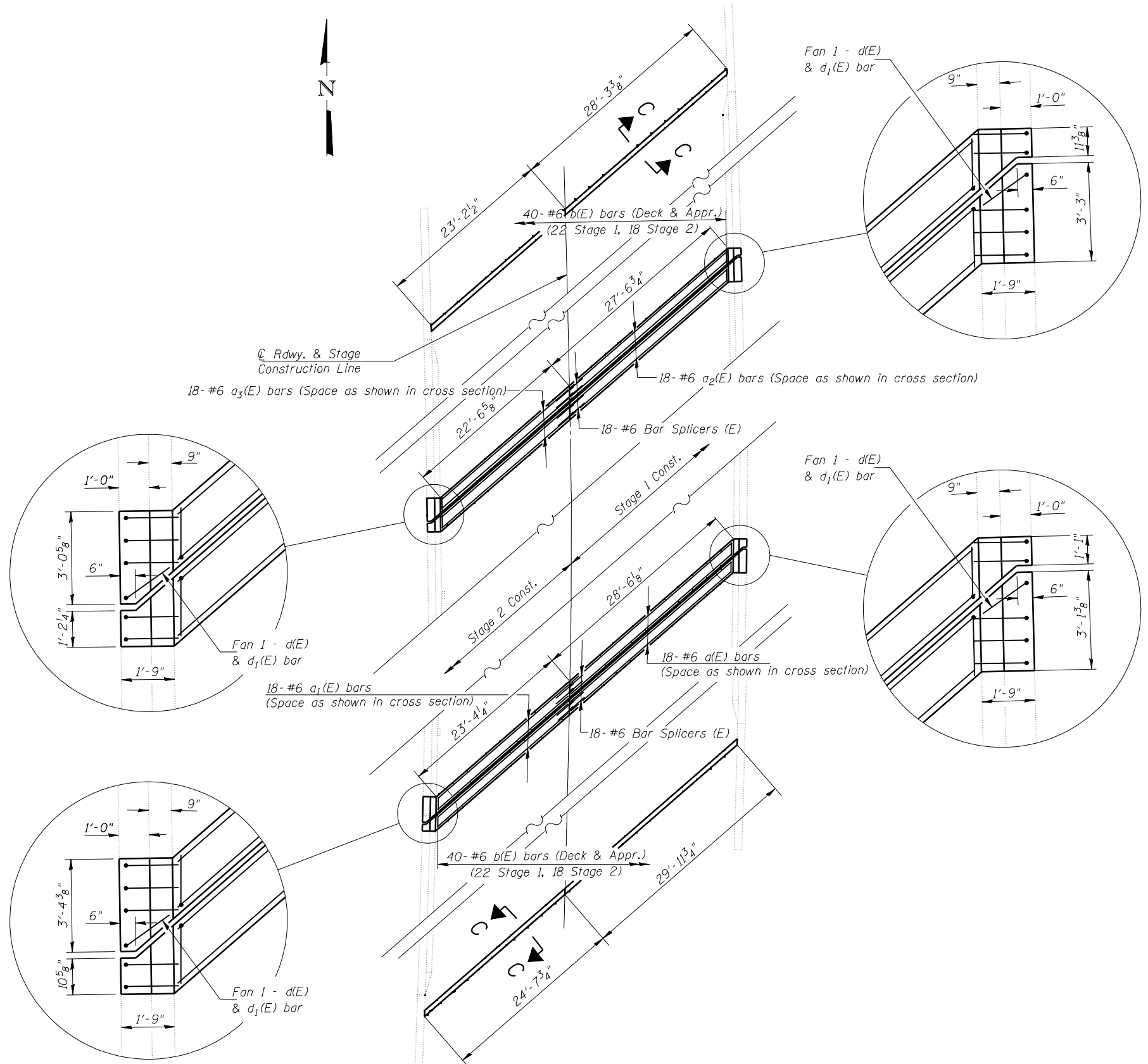


EXISTING PLAN
(Showing Concrete Removal)

Note:
Cross-hatched areas indicate limits of Concrete Removal.



PROPOSED PLAN
(Showing New Concrete)



JOB	= 2236.09	DESIGNED	- TSH	REVISED	-
FILE	= 0540050-72E10-004-JOINT.dgn	CHECKED	- AAN	REVISED	-
DATE	= 10/3/2011	DRAWN	- TJD	REVISED	-
		CHECKED	- MDC	REVISED	-

**STATE OF ILLINOIS
DEPARTMENT OF TRANSPORTATION**

**EXPANSION JOINT REPLACEMENT DETAILS
STRUCTURE NO. 054-0050**

SHEET NO. 4 OF 8 SHEETS

F.A.I. RTE.	SECTION	COUNTY	TOTAL SHEETS	SHEET NO.
55	D6 LOGAN CO BR 2011	LOGAN	224	112
CONTRACT NO. 72E10				

ILLINOIS FED. AID PROJECT