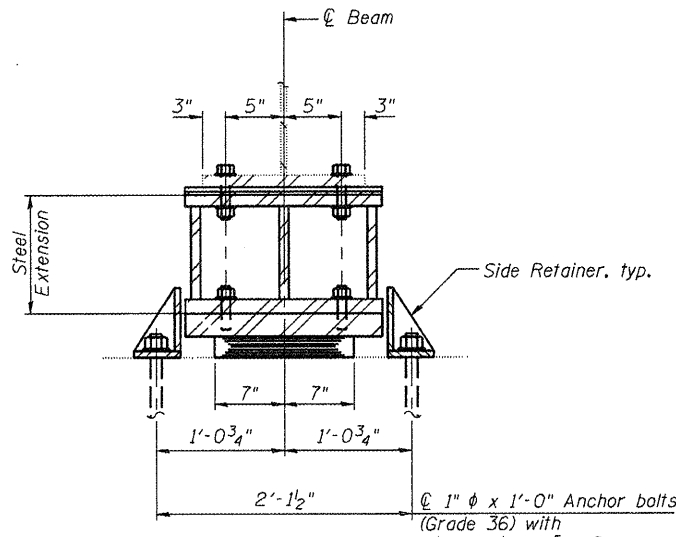


**ELEVATION AT ABUT**

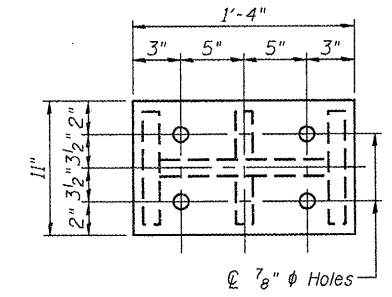


**SECTION A-A**

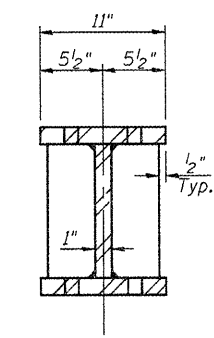
**TYPE I ELASTOMERIC EXP. BRG.  
AT E. ABUT. S.B. & W. ABUT. N.B.**

**FILL "I" DIMENSIONS**

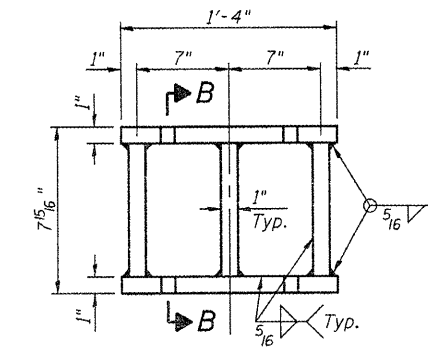
S.B. Lanes	A	B	C	D	E	F	N.B. Lanes	G	H	I	J	K	L
⊕ Brg. E. Abut.	—	—	—	3/4"	1/2"	—	⊕ Brg. W. Abut.	—	—	1/2"	—	—	—



**PLAN - TOP & BOTTOM**

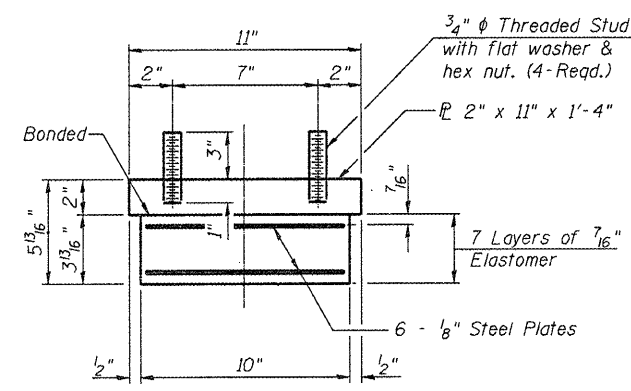


**SECTION B-B**



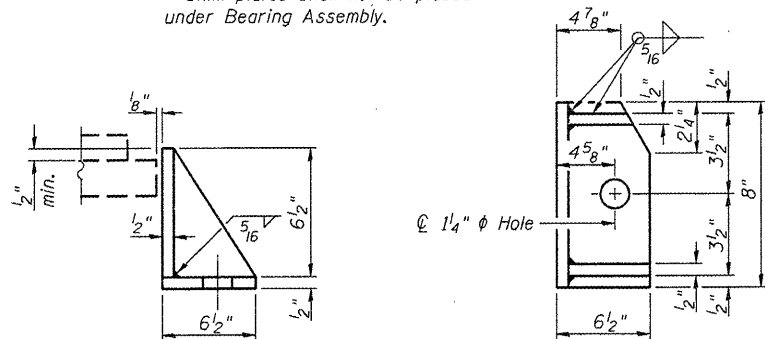
**ELEVATION**

**STEEL EXTENSION  
AT E. ABUT. S.B. & W. ABUT. N.B.**



**BEARING ASSEMBLY**

Note:  
Shim plates shall not be placed under Bearing Assembly.



**ABUTMENT SIDE RETAINER - E. ABUT. S.B. & W. ABUT. N.B.**

Equivalent rolled angle with stiffeners will be allowed in lieu of welded plates.

Notes:  
Anchor bolts shall be ASTM F1554 all-thread (or an Engineer-approved alternate material) of the grade(s) and diameter(s) specified. ASTM A307 Grade C anchor bolts may be used in lieu of ASTM F1554 Grade 36 (Fy=36ksi). The corresponding specified grade of AASHTO M314 anchor bolts may be used in lieu of ASTM F1554.  
Anchor bolts for side retainers may be cast in place or installed in holes drilled before or after members are in place.  
Drilled and set anchor bolts shall be installed according to Article 521.06 of the Standard Specifications.  
Side retainers and other steel members required for the elastomeric bearing assembly shall be included in the cost of Elastomeric Bearing Assembly, Type I.  
Diaphragm removal and reinstallation may be required to facilitate drilling holes. Cost included with Furnishing and Erecting Structural Steel.  
New steel extensions, shim plates and connection bolts are included with Furnishing and Erecting Structural Steel.  
Prior to ordering any material, the Contractor shall verify in the field all bearing height and shim thickness dimensions.  
Two 1/8 in. adjusting shims shall be provided for each bearing in addition to all other plates or shims and placed as shown on the bearing details.

**BILL OF MATERIAL**

Item	Unit	Total
Elastomeric Bearing Assembly Type I	Each	12
Anchor Bolts 1"	Each	24



JOB = 2265.1	DESIGNED - AAN	REVISED -
FILE = 0540053.0054-72E10-29-Bearing.dgn	CHECKED - MDC	REVISED -
DATE = 10/14/2011	DRAWN - TJD	REVISED -
	CHECKED - MDC	REVISED -

**STATE OF ILLINOIS  
DEPARTMENT OF TRANSPORTATION**

**BEARING DETAILS TYPE I AT ABUTS  
STRUCTURE NO. 054-0053 (NB) & STRUCTURE NO. 054-0054 (SB)**

F.A.J. RTE.	SECTION	COUNTY	TOTAL SHEETS	SHEET NO.
55	D6 LOGAN CO BR 2011	LOGAN	224	145
			CONTRACT NO. 72E10	
ILLINOIS FED. AID PROJECT				