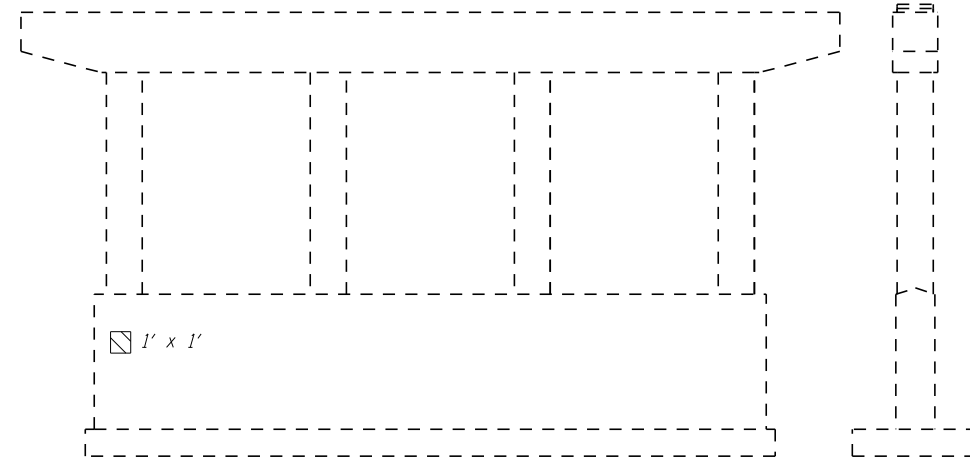


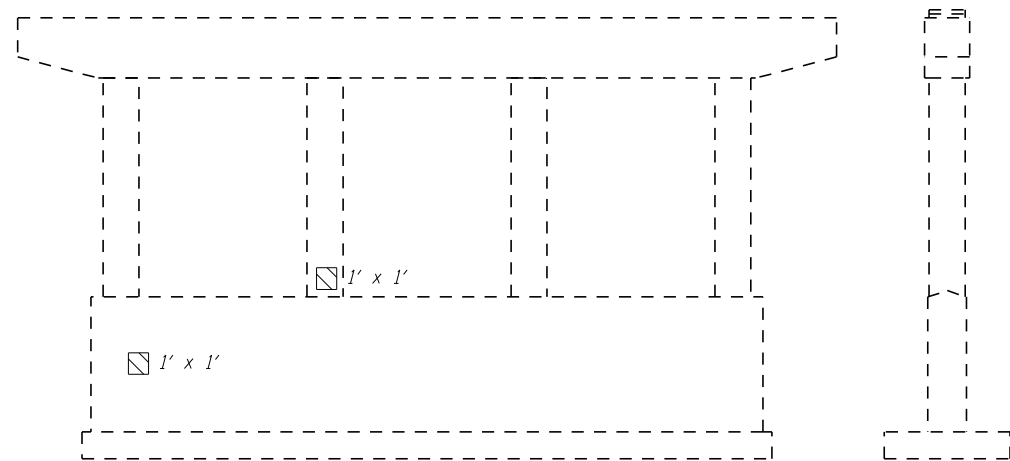
Pier 3 N.B. WEST FACE

Pier 3 N.B. SOUTH END



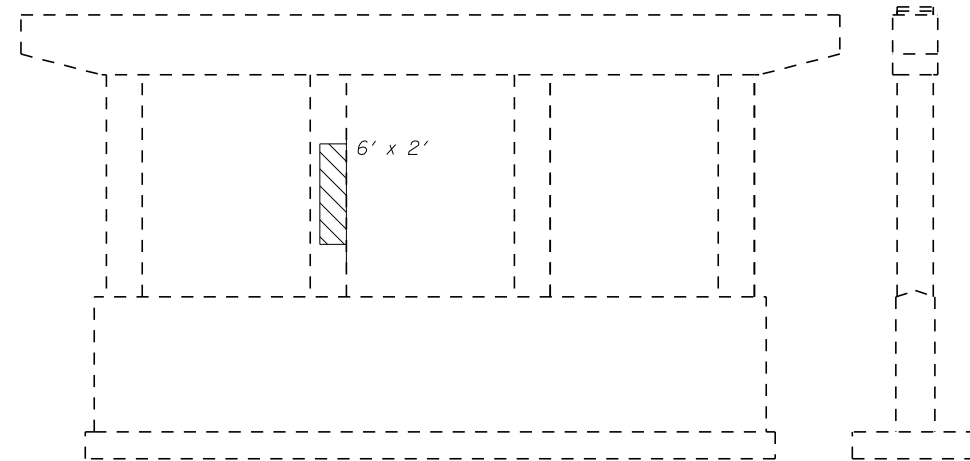
Pier 4 N.B. WEST FACE

Pier 4 N.B. SOUTH END



Pier 3 N.B. EAST FACE

Pier 3 N.B. NORTH END



Pier 4 N.B. EAST FACE

Pier 4 N.B. NORTH END

LEGEND



Denotes Structural Repair of Concrete
(Depth Equal to or Less Than 5")

BILL OF MATERIAL

Item	Unit	Total
Structural Repair of Concrete (Depth Equal to or Less Than 5")	Sq. Ft.	18