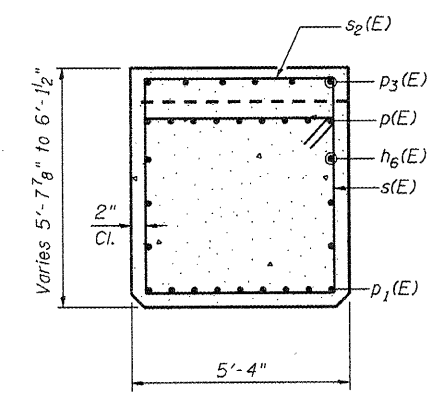
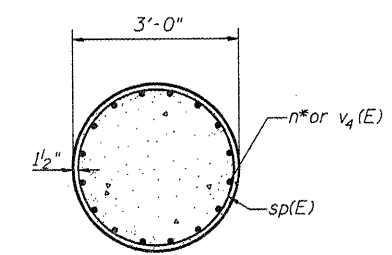


ANCHOR BOLT LAYOUT AT PIER
Dimensions similar about \varnothing Pier

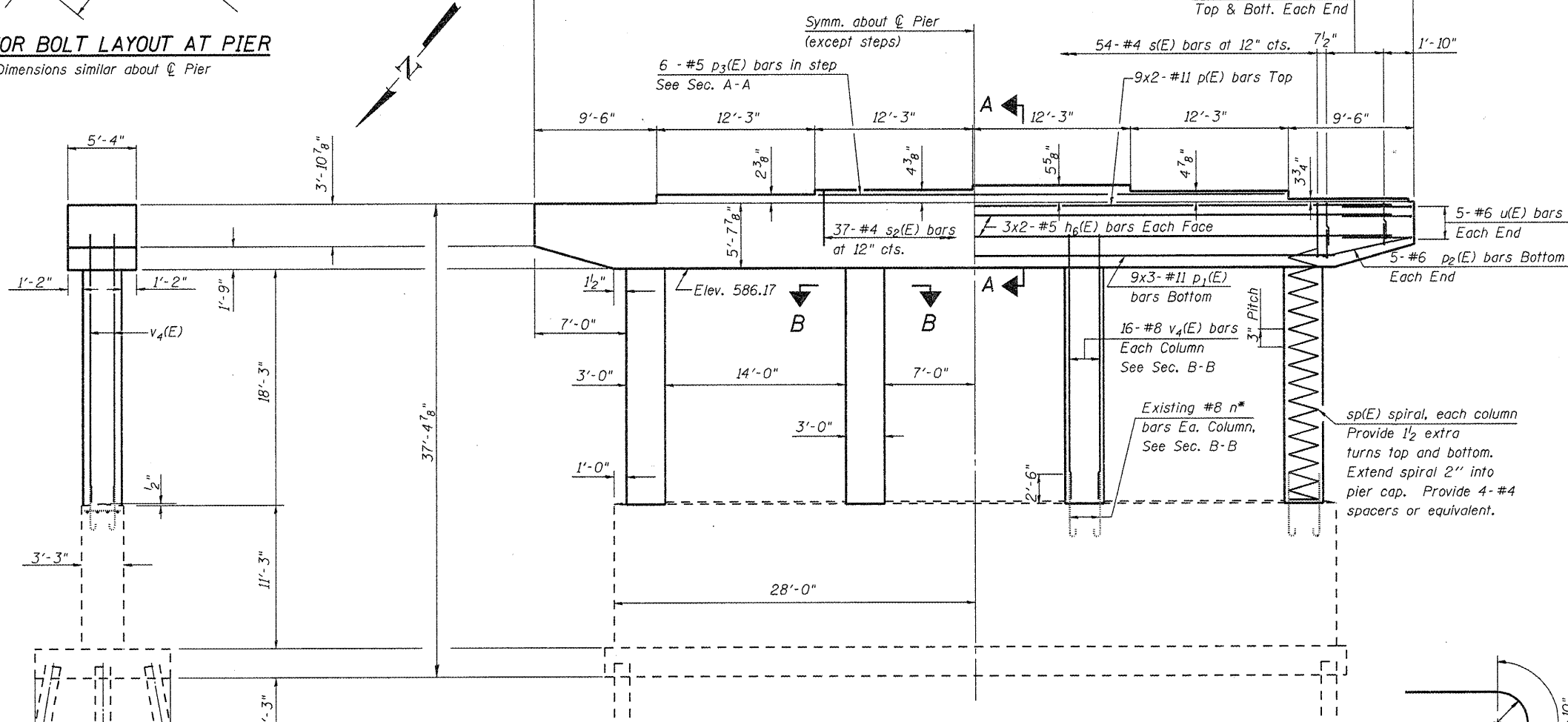
TOP PLAN



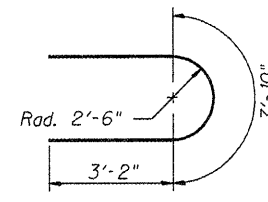
SEC. A-A



SEC. B-B



ELEVATION
(Looking East)



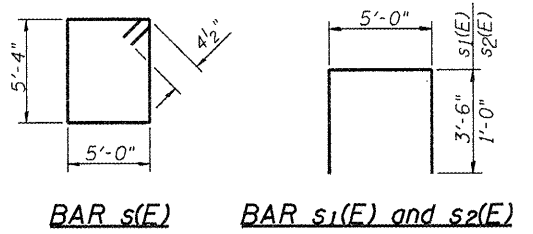
BARS u(E)

END VIEW

BEARING SEAT ELEVATIONS

A	B	C	D	E	F
591.83	592.03	592.19	592.30	592.24	592.14

Notes:
Space reinforcement in cap to miss anchor bolts. Four steps monolithically with cap.
*Existing Reinforcement shall be cleaned and incorporated into the new construction. Cost included with Concrete Removal.
Concrete Sealer shall be applied to the top and sides of the pier cap and the pier columns.



NOTE
Plan elevations relative to the existing structure have been taken from existing plans and reduced by 0.38 feet to match benchmark datum.

BILL OF MATERIAL

Bar	No.	Size	Length	Shape
h6(E)	12	#5	32'-9"	—
p(E)	18	#11	34'-9"	—
p1(E)	27	#11	20'-0"	—
p2(E)	10	#6	7'-0"	—
p3(E)	6	#5	36'-5"	—
s(E)	54	#4	21'-5"	□
s1(E)	24	#4	12'-0"	U
s2(E)	37	#4	7'-0"	□
** sp(E)	4	#4	18'-5"	⋈
u(E)	10	#6	14'-2"	U
v4(E)	64	#8	22'-0"	—
Concrete Structures	Cu. Yd.	94.4		
Reinforcement Bars, Epoxy Coated	Pound	13,820		
Concrete Sealer	Sq. Ft.	1,966		

** Length is height of spiral.

PIER 3 S.B. LANES
STRUCTURE NO. 054-0054



JOB = 2265.1
FILE = 0540053_0054-72E10-43-Piers.dgn
DATE = 10/14/2011

DESIGNED - AAN
CHECKED - MDC
DRAWN - MFC
CHECKED - MDC

REVISD -
REVISD -
REVISD -
REVISD -

STATE OF ILLINOIS
DEPARTMENT OF TRANSPORTATION

PIER 3 SB
STRUCTURE NO. 054-0054 (SB)
SHEET NO. 43 OF 45 SHEETS

F.A.I. RTE.	SECTION	COUNTY	TOTAL SHEETS	SHEET NO.
55	D6 LOGAN CO BR 2011	LOGAN	224	159
ILLINOIS FED. AID PROJECT			CONTRACT NO. 72E10	