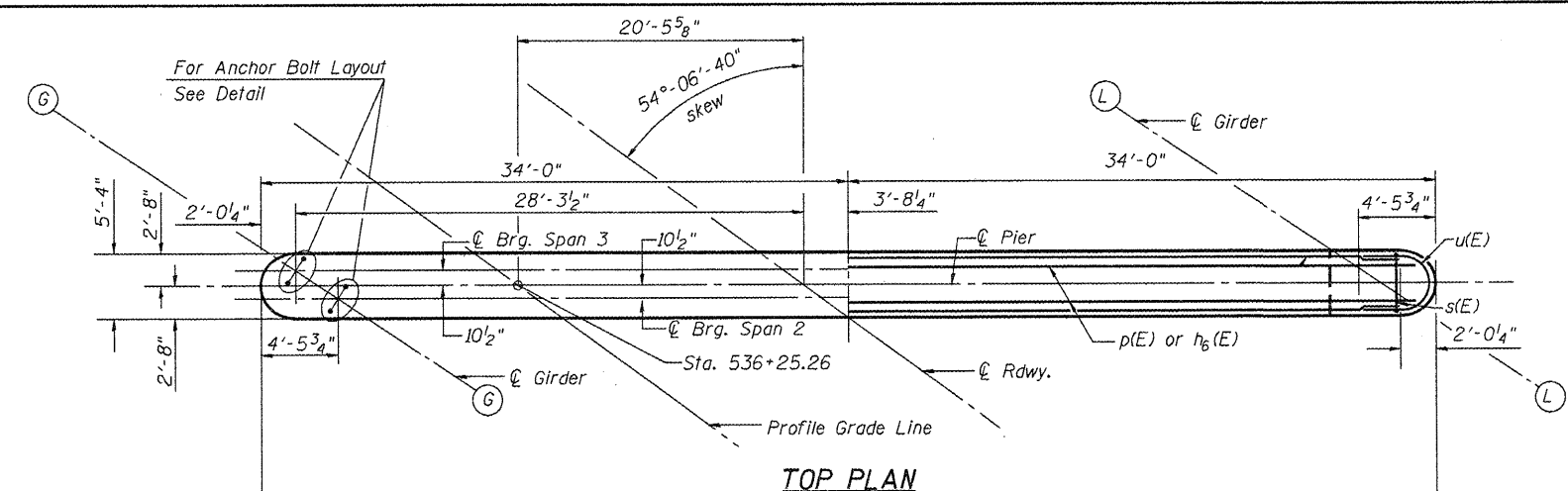
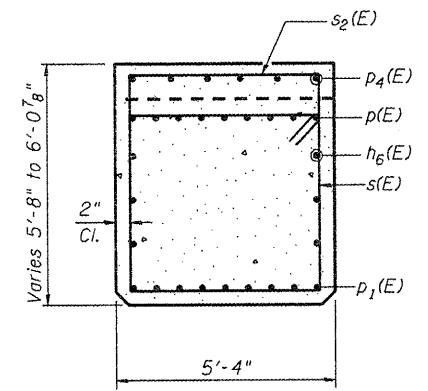


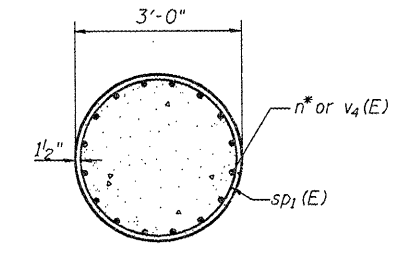
ANCHOR BOLT LAYOUT AT PIER
Dimensions similar about C/Pier



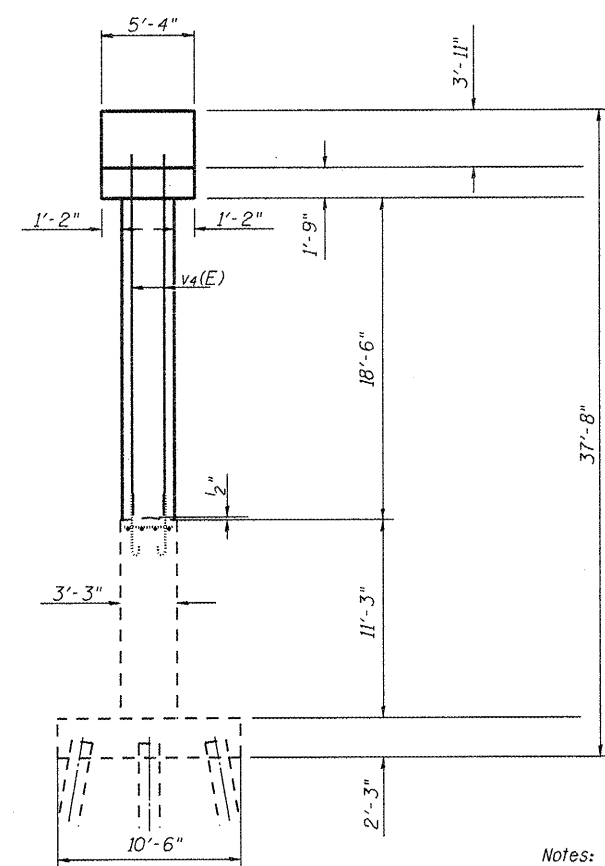
TOP PLAN



SEC. A-A



SEC. B-B

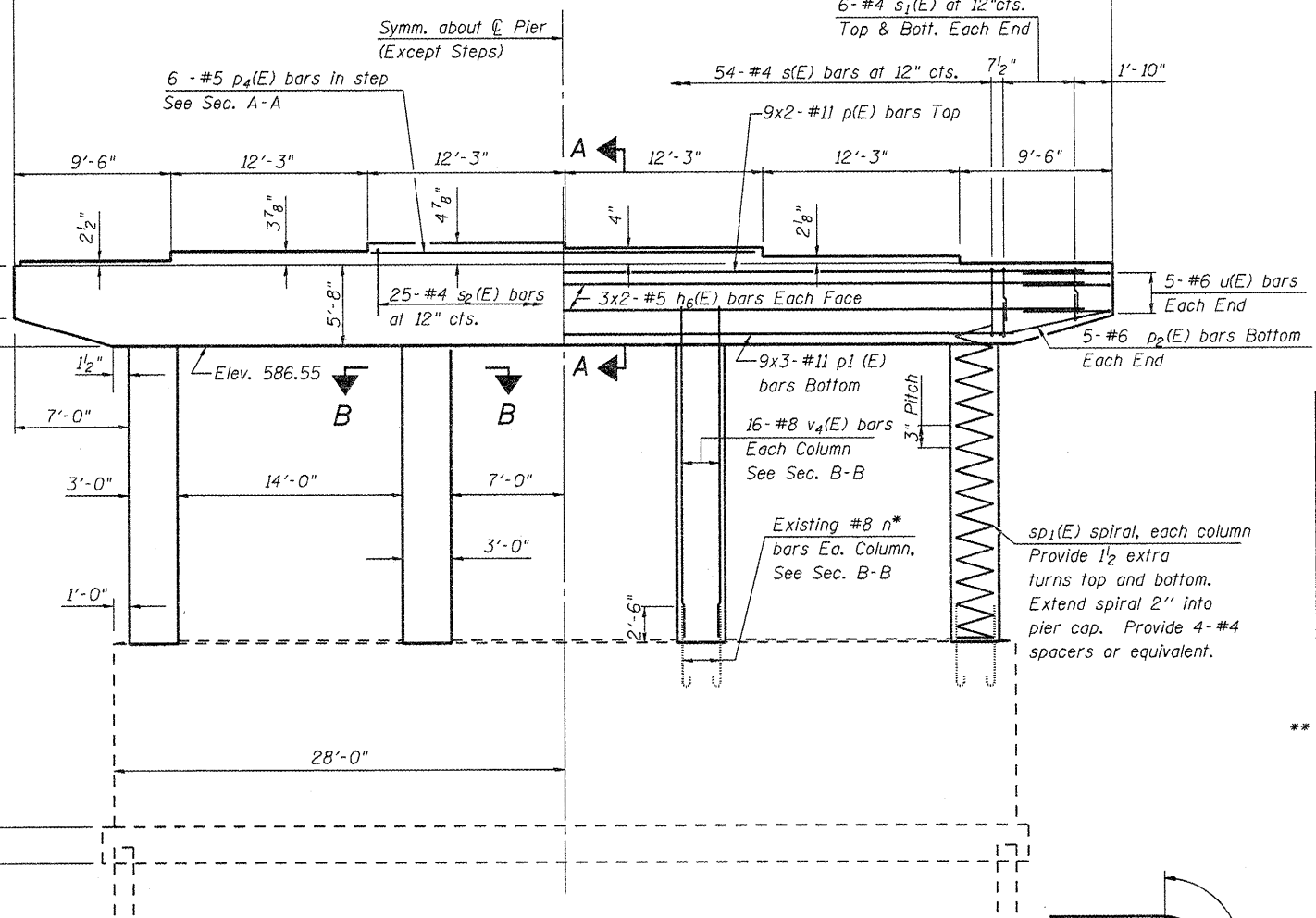


END VIEW

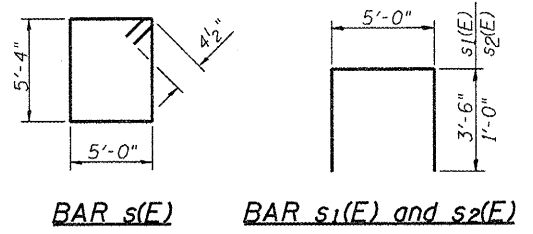
BEARING SEAT ELEVATIONS

G	H	I	J	K	L
592.43	592.54	592.63	592.55	592.40	592.22

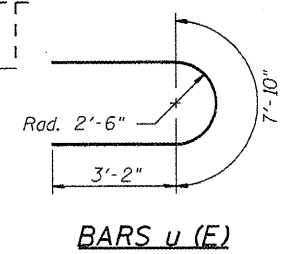
Notes:
Space reinforcement in cap to miss anchor bolts. Pour steps monolithically with cap.
*Existing Reinforcement shall be cleaned and incorporated into the new construction. Cost included with Concrete Removal.
Concrete Sealer shall be applied to the top and sides of the pier cap and the pier columns.



ELEVATION
(Looking East)



BAR s(E) BAR s1(E) and s2(E)



BARS u(E)

NOTE
Plan elevations relative to the existing structure have been taken from existing plans and reduced by 0.38 feet to match benchmark datum.

BILL OF MATERIAL

Bar	No.	Size	Length	Shape
h6(E)	12	#5	32'-9"	—
p(E)	18	#11	34'-9"	—
p1(E)	27	#11	20'-0"	—
p2(E)	10	#6	7'-0"	—
p4(E)	6	#5	24'-2"	—
s(E)	54	#4	21'-5"	□
s1(E)	24	#4	12'-0"	U
s2(E)	25	#4	7'-0"	□
** sp1(E)	4	#4	18'-8"	~
u(E)	10	#6	14'-2"	U
v4(E)	64	#8	22'-0"	—
Concrete Structures		Cu. Yd.	94.0	
Reinforcement Bars, Epoxy Coated		Pound	13,710	
Concrete Sealer		Sq. Ft.	1,984	

** Length is height of spiral.

PIER 2 N.B. LANES
STRUCTURE NO. 054-0053



JOB = 2265.1
FILE = 0540053_0054-72E10-44-Piers.dgn
DATE = 10/14/2011

DESIGNED - AAN
CHECKED - MDC
DRAWN - MFC
CHECKED - MDC

STATE OF ILLINOIS
DEPARTMENT OF TRANSPORTATION

PIER 2 NB
STRUCTURE NO. 054-0053 (NB)
SHEET NO. 44 of 45 SHEETS

F.A.I. RTE.	SECTION	COUNTY	TOTAL SHEETS	SHEET NO.
55	D6 LOGAN CO BR 2011	LOGAN	224	160

CONTRACT NO. T2E10
ILLINOIS FED. AID PROJECT