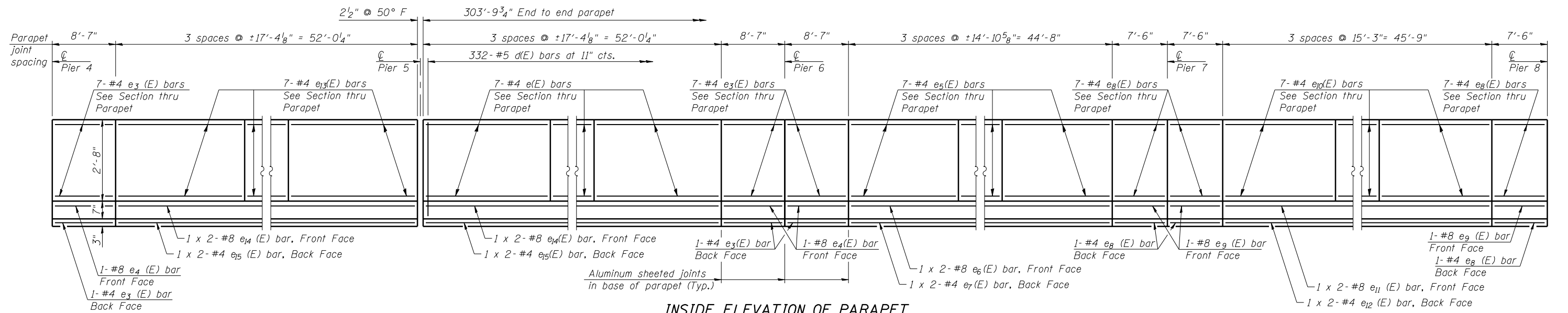
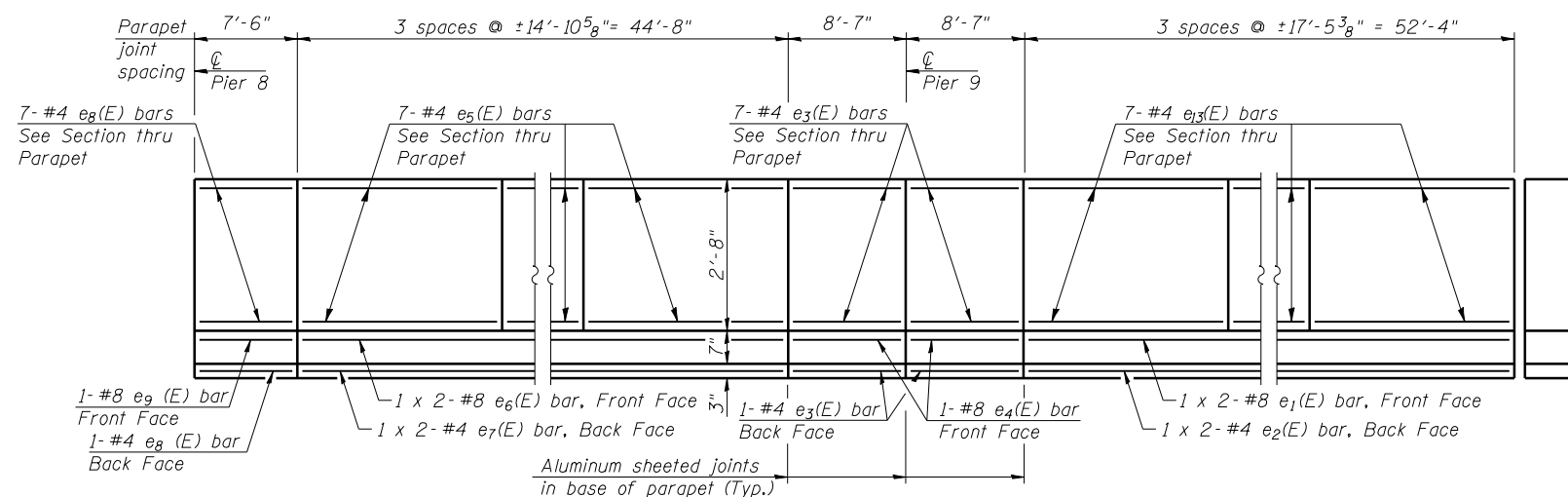


INSIDE ELEVATION OF PARAPET
(North Parapet shown - South Parapet similar by rotation of 180°)



INSIDE ELEVATION OF PARAPET
(North Parapet shown - South Parapet similar by rotation of 180°)



INSIDE ELEVATION OF PARAPET
(North Parapet shown - South Parapet similar by rotation of 180°)

MINIMUM BAR LAP
(Parapet)
#4 bar = 2'-0"
#8 bar = 5'-2"

Note:
Bars indicated thus 1 x 2-#8 etc. indicates 1 line of bars with 2 lengths per line.