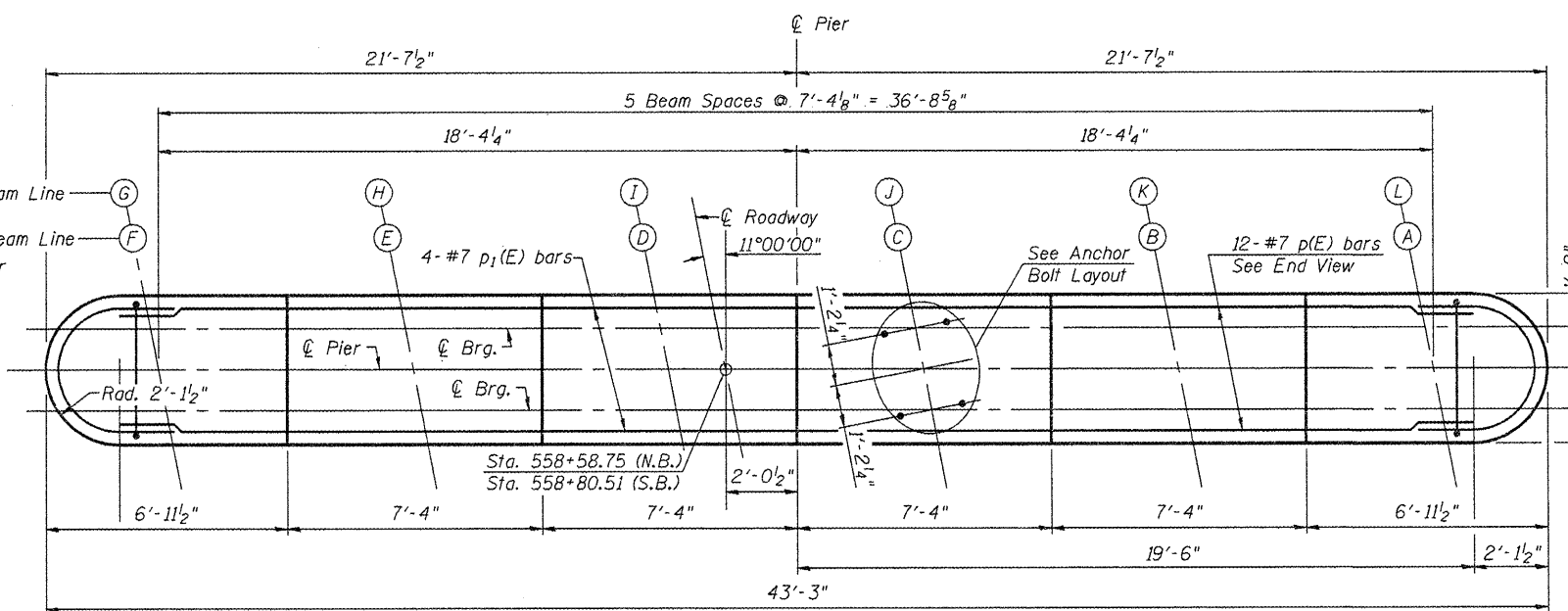
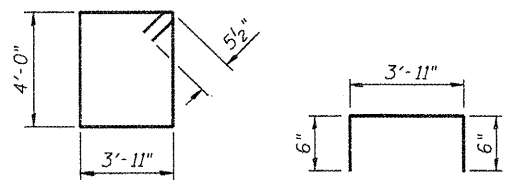


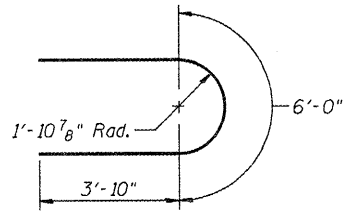
ANCHOR BOLT LAYOUT AT PIER 5



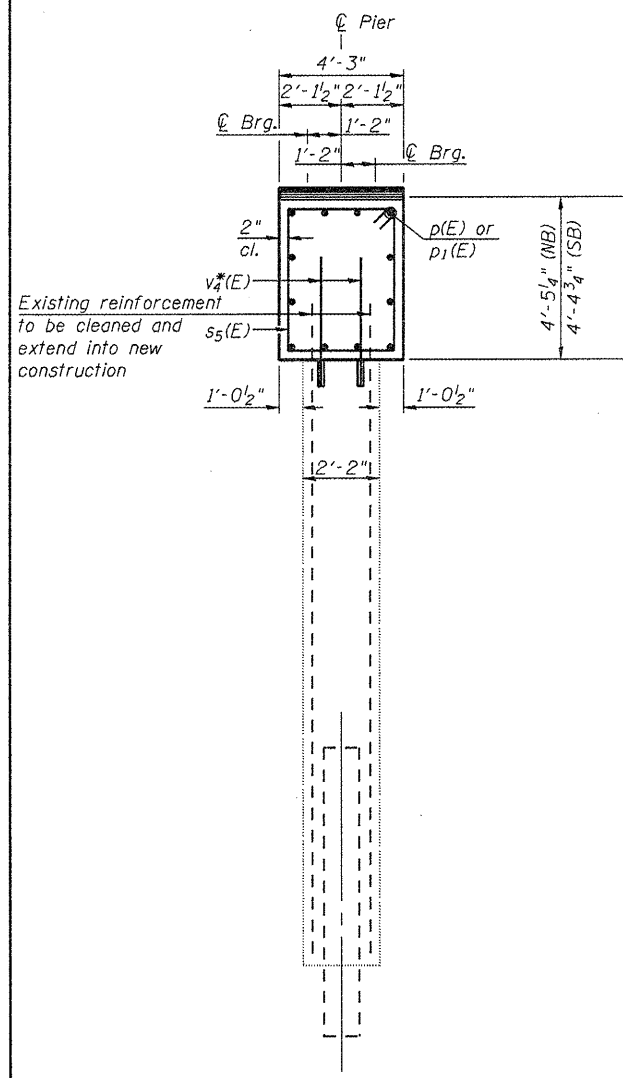
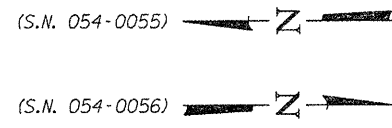
PLAN



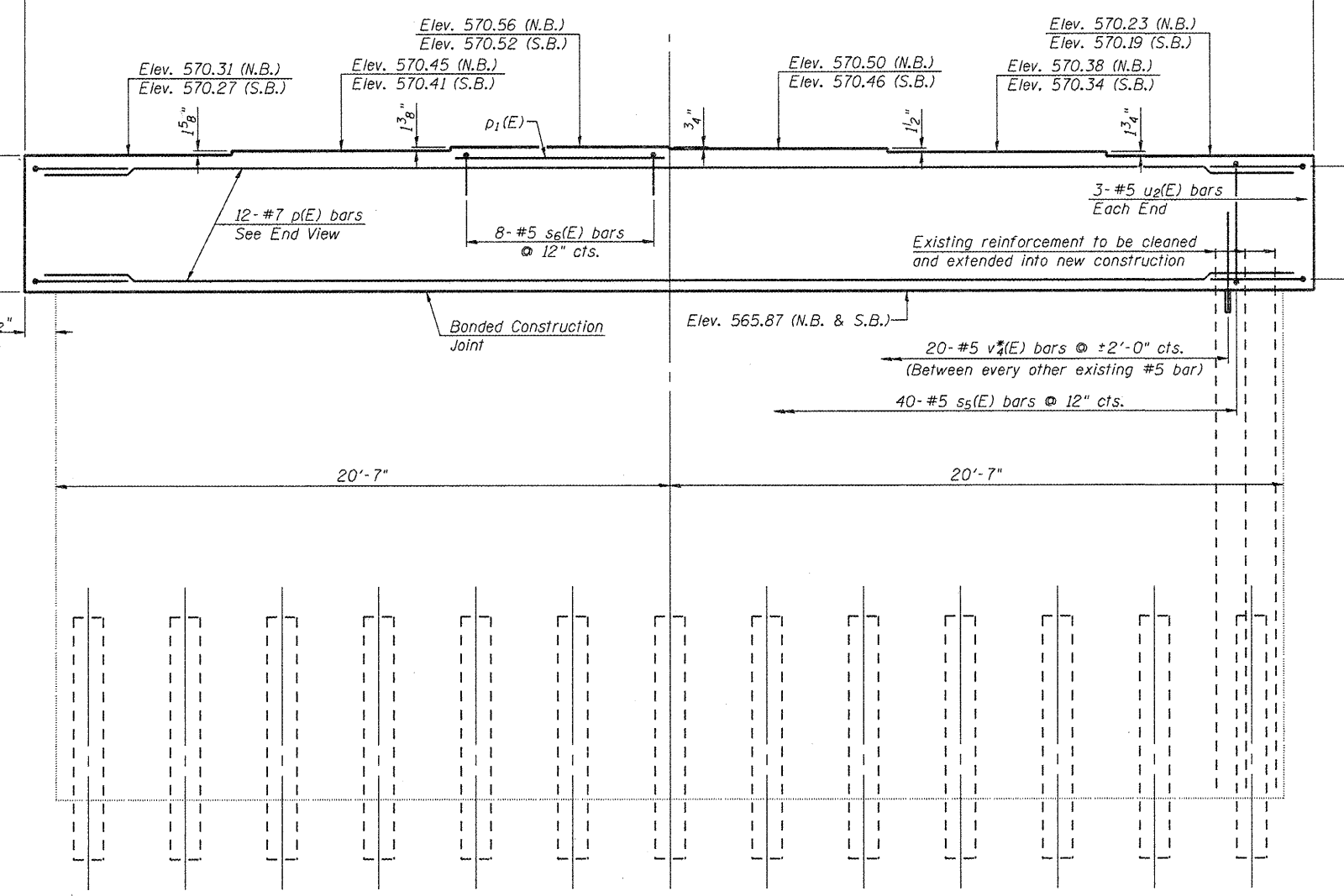
BAR s5(E) BAR s6(E)



BAR u1(E)



END VIEW



ELEVATION

(Looking in the direction of Traffic)

**TWO (2) PIERS
BILL OF MATERIAL**

Bar	No.	Size	Length	Shape
p(E)	24	#7	38'-8"	—
p1(E)	8	#7	7'-0"	—
s5(E)	80	#5	16'-9"	□
s6(E)	16	#5	4'-11"	┌┐
u1(E)	16	#6	13'-8"	U
v4(E)	80	#5	3'-0"	—
Concrete Structures		Cu. Yd.	59.0	
Reinforcement Bars, Epoxy Coated		Pound	4,070	
Concrete Sealer		Sq. Ft.	1,224	

Notes:
 Reinforcement Bars designated (E) shall be epoxy coated.
 v4(E) bars shall be grouted into drilled holes in accordance with Section 584 of the Standard Specifications. Minimum embedment = 9".
 Space reinforcement in cap to miss anchor bolts.
 Pour steps monolithically with cap.
 All edges of proposed concrete shall have standard 3/4" chamfers unless noted otherwise.
 Concrete Sealer shall be applied to the top and sides of the pier cap.

NOTE

Plan elevations relative to the existing structure have been taken from existing plans and reduced by 0.38 feet to match benchmark datum.



JOB	2265.1	DESIGNED	ZTB	REVISED	-
FILE	0540055_0056-72E10-37-Piers.dgn	CHECKED	MDC	REVISED	-
DATE	10/14/2011	DRAWN	TJD	REVISED	-
		CHECKED	ZTB	REVISED	-

**STATE OF ILLINOIS
DEPARTMENT OF TRANSPORTATION**

**PIER 5
STRUCTURE NO. 054-0055 (NB) & STRUCTURE NO. 054-0056 (SB)**

F.A.I. RTE.	SECTION	COUNTY	TOTAL SHEETS	SHEET NO.
55	D6 LOGAN CO BR 2011	LOGAN	224	198
			CONTRACT NO. 72E10	
ILLINOIS FED. AID PROJECT				