

Existing Structure: S.N. 054-0059. The existing structure is a 4-span vaulted structure consisting of a 2 continuous steel spans and 2 PPC I-Beam approach spans with a 8" reinforced concrete deck with a microsilica overlay. The original structure was built in 1973 as Section 54-4HB-2. The expansion joints were replaced in 1999. The abutment joint seals will be replaced utilizing short-term lane closures on CH2.

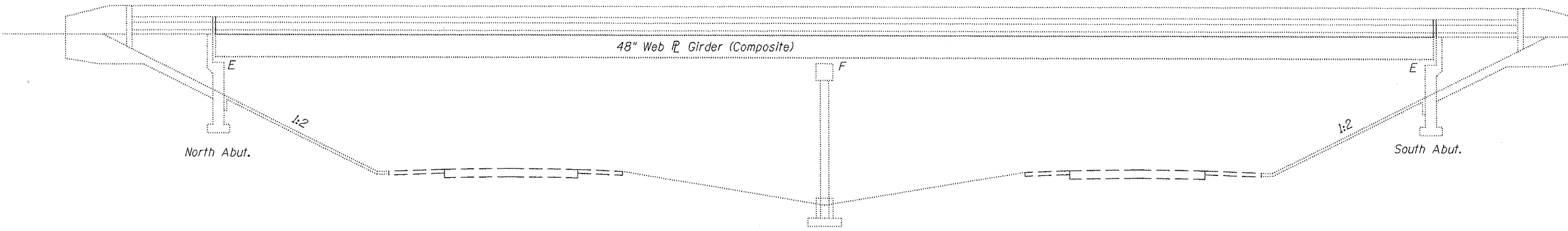
No Salvage.

SCOPE OF WORK

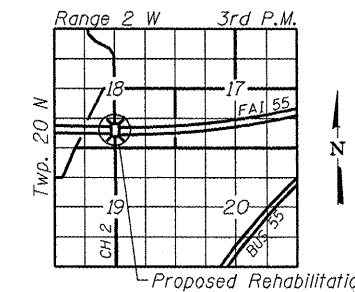
Remove existing preformed joint sealer.
Install silicone joint sealer at the north and south abutments.

GENERAL NOTES

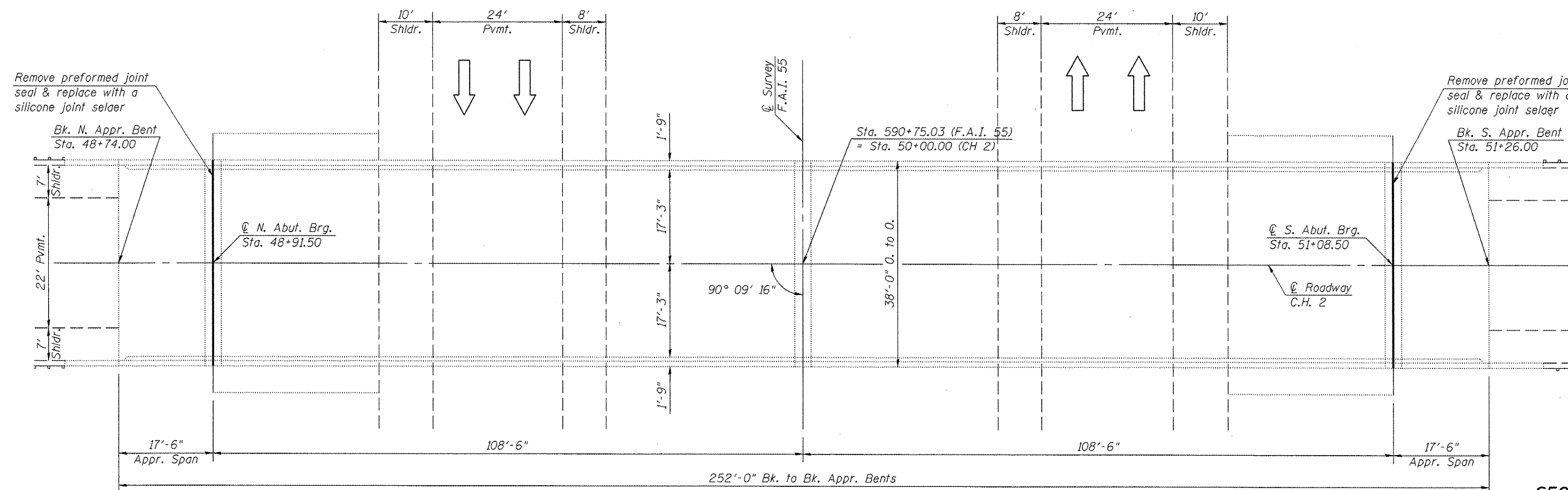
Plan dimensions and details relative to existing plans are subject to nominal construction variations. The Contractor shall field verify existing dimensions and details affecting new construction and make necessary approved adjustments prior to construction or ordering of materials. Such variations shall not be cause for additional compensation for a change in scope of the work, however, the Contractor will be paid for the quantity actually furnished at the unit price bid for the work. All work to be completed utilizing Traffic Control and Protection Standard 701201.



ELEVATION



LOCATION SKETCH



PLAN

MICHAEL D. CUMMINS
08-004822
LICENSED
STRUCTURAL
ENGINEER
OF
SPRINGFIELD
ILLINOIS
Michael D. Cummins 10/3/11
(Expires 11/30/2012)

GENERAL PLAN
C.H. 2 OVER I-55
SECTION D6 LOGAN CO BR 2011
LOGAN COUNTY
STATION 590+75.03
STRUCTURE NO. 054-0059

| | | | | | | | | | | |
|--|----------------------------------|----------------|-----------|---|--|---------------------------|-------------------------------|----------------|--------------------|-----------------|
| CEC Cummins Engineering Corporation <small>Civil and Structural Engineering</small> | JOB = 2236.09 | DESIGNED - AAN | REVISED - | STATE OF ILLINOIS DEPARTMENT OF TRANSPORTATION | GENERAL PLAN STRUCTURE NO. 054-0059 <small>SHEET NO. 1 OF 2 SHEETS</small> | F.A.I. RTE. = 55 | SECTION = D6 LOGAN CO BR 2011 | COUNTY = LOGAN | TOTAL SHEETS = 224 | SHEET NO. = 201 |
| | FILE = 0540059-72E10-001-GPE.dgn | CHECKED - MFC | REVISED - | | | CONTRACT NO. = 72E10 | | | | |
| | DATE = 10/3/2011 | DRAWN - TJD | REVISED - | | | ILLINOIS FED. AID PROJECT | | | | |
| | | CHECKED - AAN | REVISED - | | | | | | | |