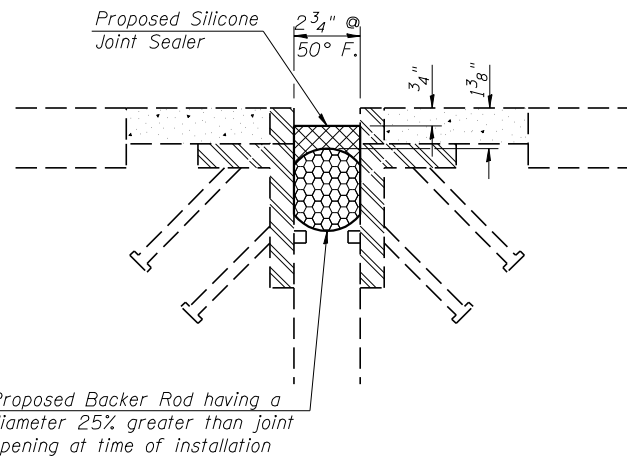
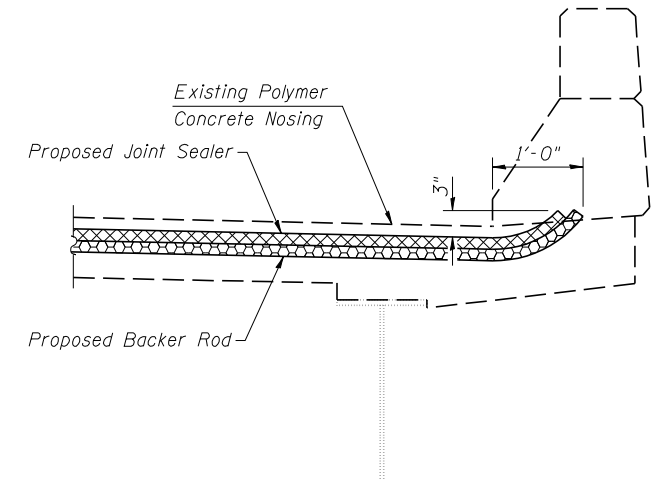


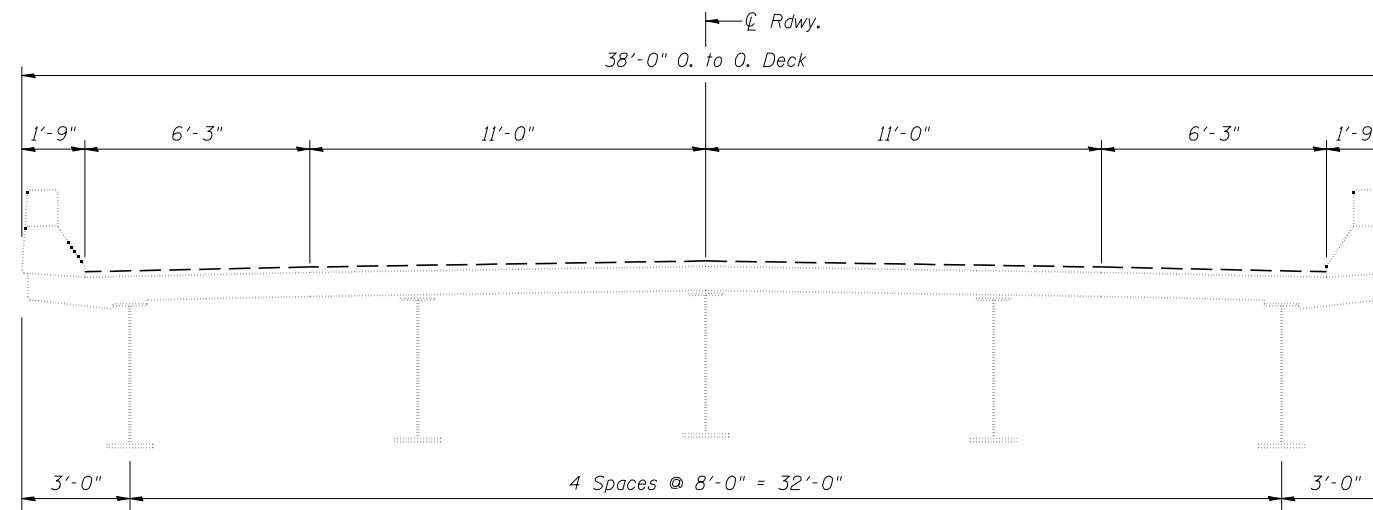
TYPICAL EXISTING JOINT CROSS SECTION



TYPICAL PROPOSED JOINT CROSS SECTION



SECTION AT PARAPET



TYPICAL EXISTING CROSS SECTION  
(Looking South)

BILL OF MATERIAL

Item	Unit	Total
Silicone Joint Sealer, 2 3/4"	Foot	73