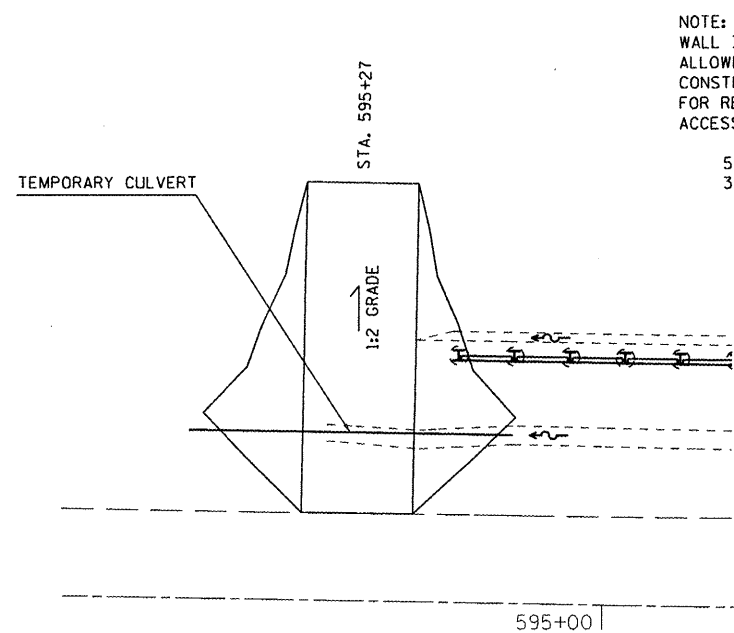


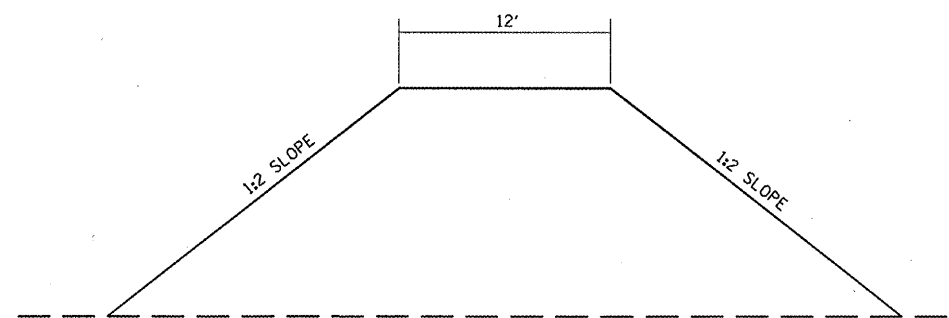
HEAVY DUTY EROSION CONTROL BLANKET



NOTE: THE CONTRACTOR IS RESPONSIBLE FOR GAINING ACCESS TO THE AREA BEHIND THE WALL IF THE CONSTRUCTION METHOD CHOSEN NECESSITATES. NO COMPENSATION WILL BE ALLOWED FOR PROVIDING AND MAINTAINING ACCESS. IF THE CONTRACTOR CHOOSES TO CONSTRUCT AN EARTH RAMP, THE FOLLOWING DETAILS AND INFORMATION MAY BE USED FOR REFERENCE. NO COMPENSATION WILL BE MADE FOR ITEMS USED FOR TEMPORARY ACCESS. QUANTITIES NEEDED (APPROXIMATE):

55 CU YD OF FILL
35 FEET OF TEMPORARY PIPE CULVERT

TEMPORARY EARTH RAMP



TYPICAL SECTION FOR EARTH RAMP

FILE NAME =	USER NAME = sparksgw	DESIGNED -	REVISED -
c:\pwork\p1dat\sparksgw\d0262000\067	RE37-SHT*erosioncontrol.dgn	DRAWN -	REVISED -
	PLOT SCALE = 40.0000' / in.	CHECKED -	REVISED -
	PLOT DATE = Sep-09-2011 03:20:33PM	DATE -	REVISED -

STATE OF ILLINOIS
DEPARTMENT OF TRANSPORTATION

DETAILS

F.A.S. R/E:	SECTION	COUNTY	TOTAL SHEETS	SHEET NO.
2582	(45)1-2	SCHUYLER	18	11
CONTRACT NO. 72E37			ILLINOIS FED. AID PROJECT	
SCALE:	SHEET	OF SHEETS	STA.	TO STA.