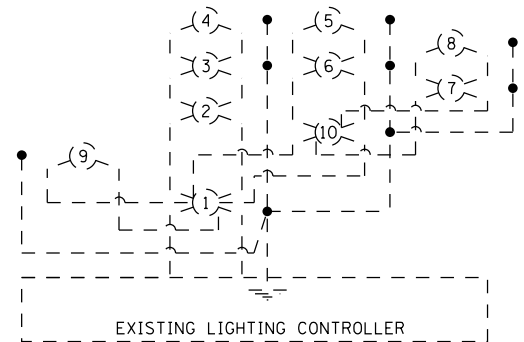
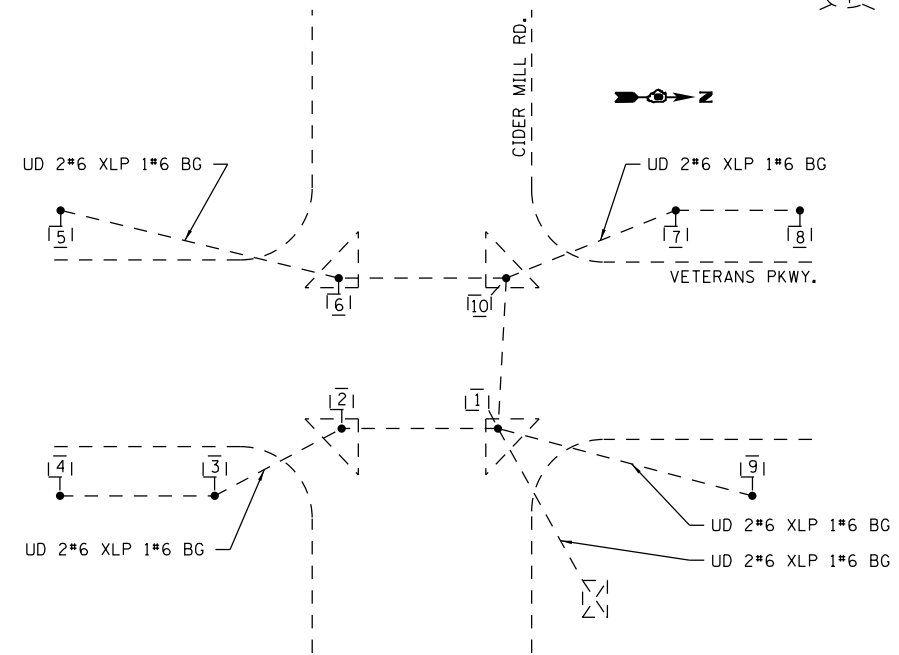


EXISTING CONTROLLER

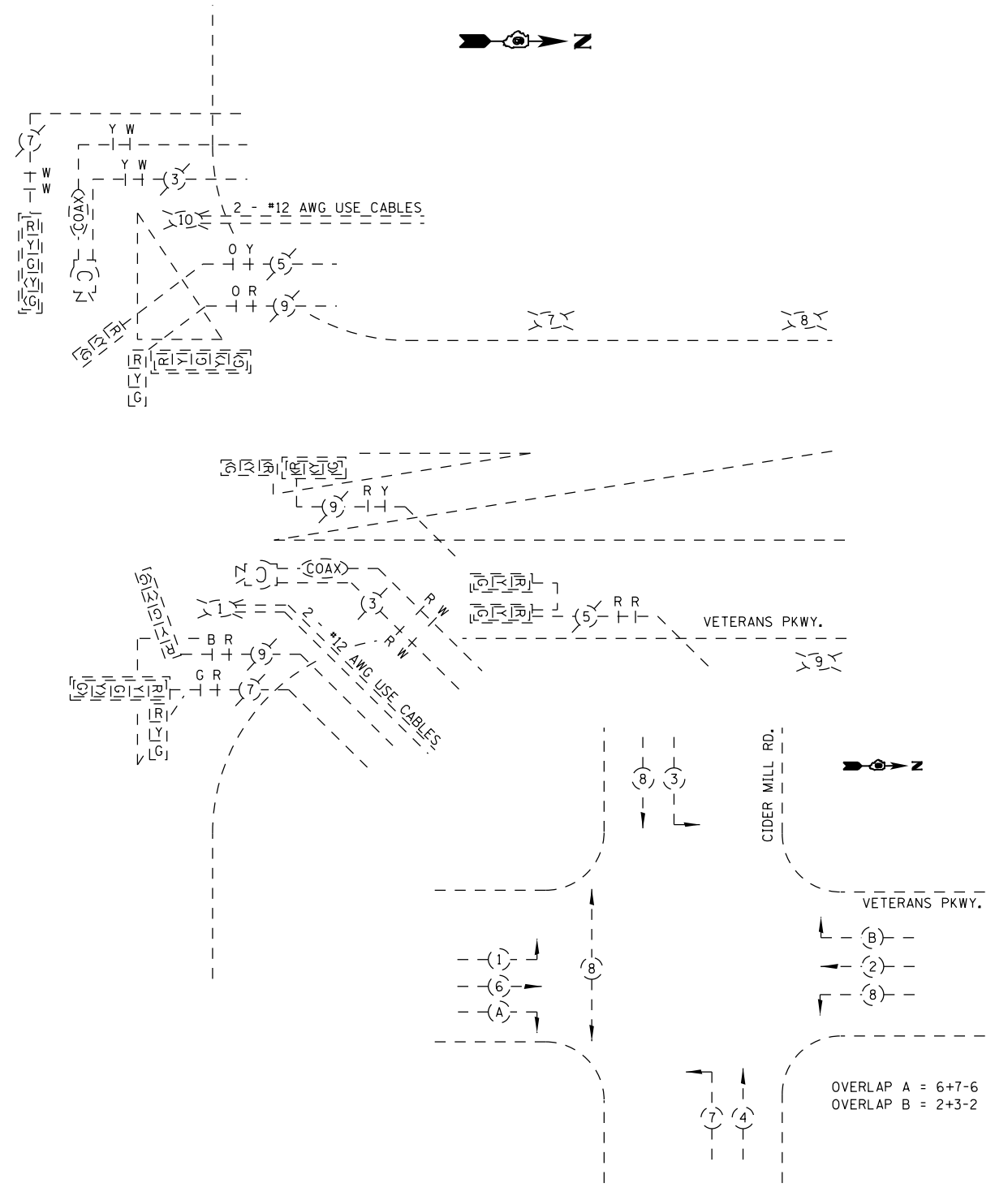
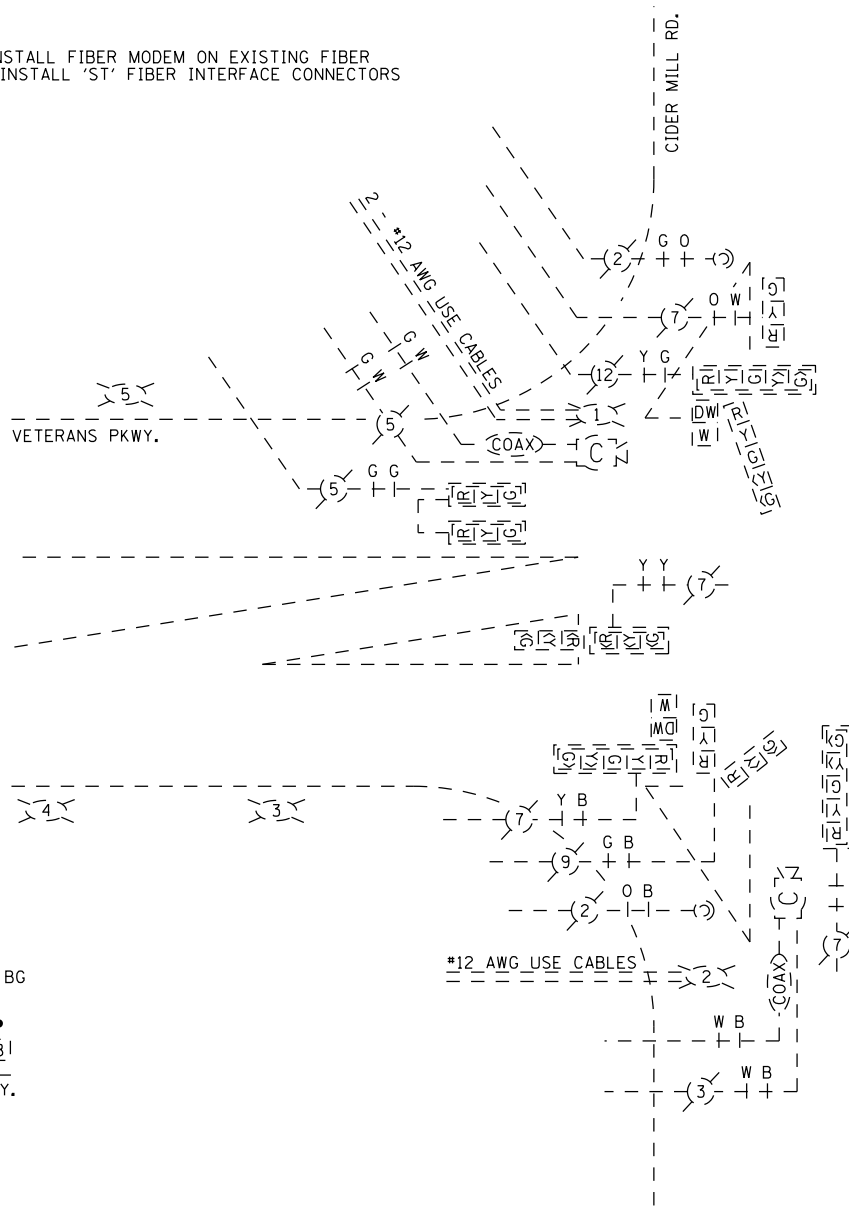
MODIFY EXISTING CONTROLLER CABINET: INSTALL FIBER MODEM ON EXISTING FIBER INTERFACE PANEL IN EXISTING CABINET. INSTALL 'ST' FIBER INTERFACE CONNECTORS IN EXISTING ENCLOSURE.



EXISTING LIGHTING CONTROLLER



EXISTING LIGHTING CABLE PLAN



PHASE DESIGNATION DIAGRAM

OVERLAP A = 6+7-6  
OVERLAP B = 2+3-2

NOT TO SCALE

USER NAME = sparksgw PLOT SCALE = 40.0000' / in. PLOT DATE = Aug-25-2011 09:07:39AM	DESIGNED -	REVISED -	<b>STATE OF ILLINOIS</b> <b>DEPARTMENT OF TRANSPORTATION</b>	<b>PROPOSED CABLE PLAN</b> <b>VETERANS PKWY &amp; CIDER MILL RD.</b>			F.A. RTE.	SECTION	COUNTY	TOTAL SHEETS	SHEET NO.
	DRAWN - BDM	REVISED -					VAR.	*	SANGAMON	42	29
	CHECKED - JSA	REVISED -					* D6 TRAF SIGNAL MOD 2011-1			CONTRACT NO. 72E38	
	DATE - 7/15/09	REVISED -					ILLINOIS FED. AID PROJECT				
SCALE:				SHEET NO.	OF SHEETS	STA.	TO STA.				

FILE NAME = c:\pwork\pwork\sparksgw\0278783\0672E38 sht 29.dgn