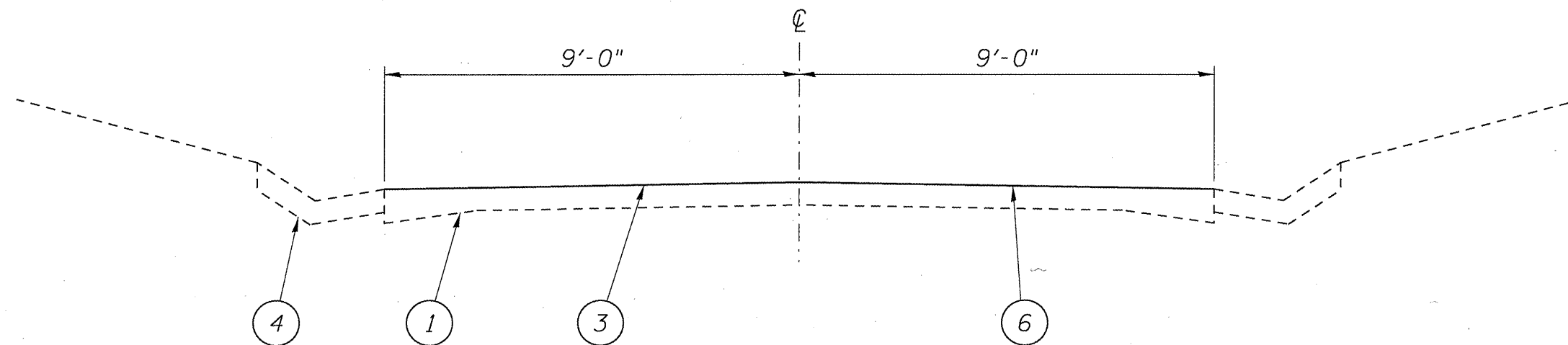


STA. 291+73 TO 297+13
STA. 418+52 TO 422+02



STA. 297+13 TO 328+39
STA. 359+61 TO 389+35

LEGEND

- 1- EXIST. P.C.C. PAVEMENT
- 2- EXIST. AGGREGATE BASE COURSE, TYPE A (8")
- 3- EXIST. HOT-MIX ASPHALT SURFACE
- 4- EXIST. GUTTER
- 5- PROP. LEVELING BINDER (MACHINE METHOD) N50 $\frac{3}{4}$ "
- 6- PROP. BITUMINOUS SURFACE TREATMENT (CL.A-2)

TYPICALS
SBI 31 (OLD US 24)
SECTION (10,11)I-1
SCHUYLER COUNTY