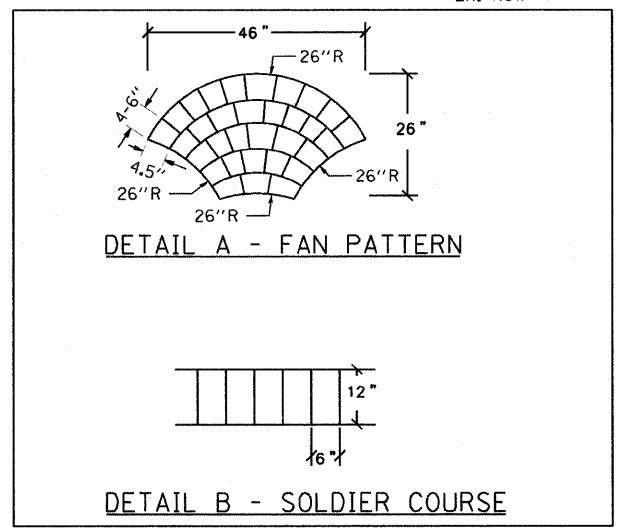
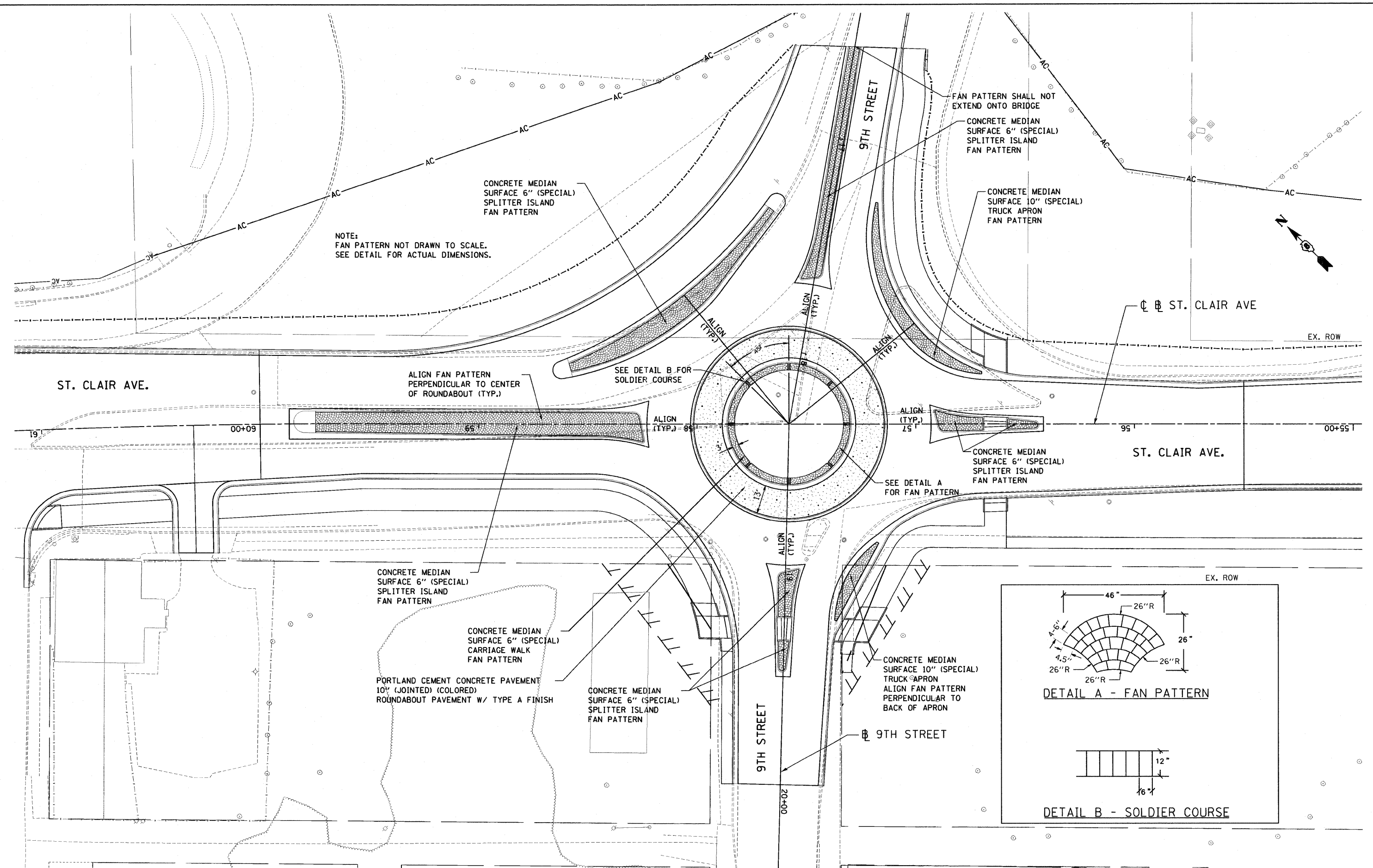


9-15-2011 15:02:10 \\NF5-084\4\AN\VAULT\JOB-TRANS-07-2282\20868-001\CIVIL\CAD\99 ALL CONTRACTS\TRANS\99 SHEETS CONTRACT 76C51\08TRF-51-SHT-LANDSCAP-999.DWG
 9-15-2011 15:02:10 \\NF5-084\4\AN\VAULT\JOB-TRANS-07-2282\20868-001\CIVIL\CAD\99 ALL CONTRACTS\TRANS\99 SHEETS CONTRACT 76C51\08TRF-51-SHT-LANDSCAP-999.DWG
 9-15-2011 15:02:10 \\NF5-084\4\AN\VAULT\JOB-TRANS-07-2282\20868-001\CIVIL\CAD\99 ALL CONTRACTS\TRANS\99 SHEETS CONTRACT 76C51\08TRF-51-SHT-LANDSCAP-999.DWG



FILE NAME = #FILEL#	USER NAME = #USER#	DESIGNED - JM	REVISED -	STATE OF ILLINOIS DEPARTMENT OF TRANSPORTATION	PROPOSED HARDSCAPING PLANS		F.A.I. RTE.	SECTION	COUNTY	TOTAL SHEETS	SHEET NO.
		DRAWN - JB	REVISED -		82-1-3HD, 82-2N, 82-1-12RS	ST. CLAIR	352	136A			
		CHECKED - ACL	REVISED -		64/FAU 9166/FAU 9180	CONTRACT NO. 76C51					
		DATE - 09/09/11	REVISED -		FED. ROAD DIST. NO.	ILLINOIS FED. AID PROJECT					
TENG TENG & ASSOCIATES, INC. ENGINEERS/ARCHITECTS/PLANNERS CHICAGO, ILLINOIS				SCALE: 1"=20' SHEET NO. 2 OF 2 SHEETS STA. TO STA.							