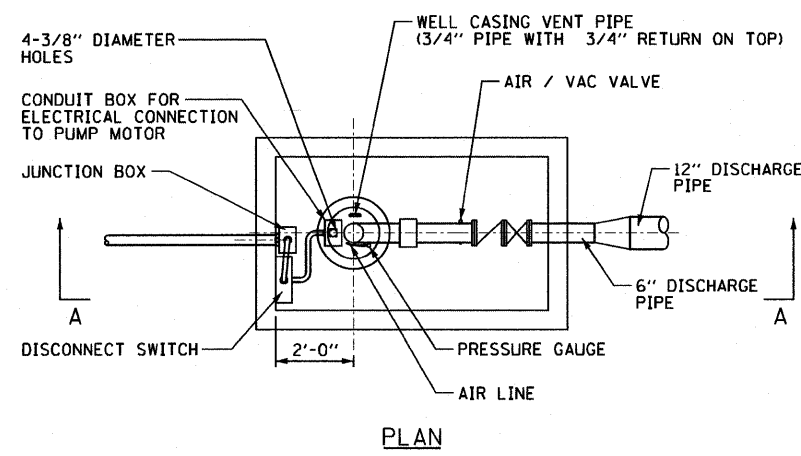
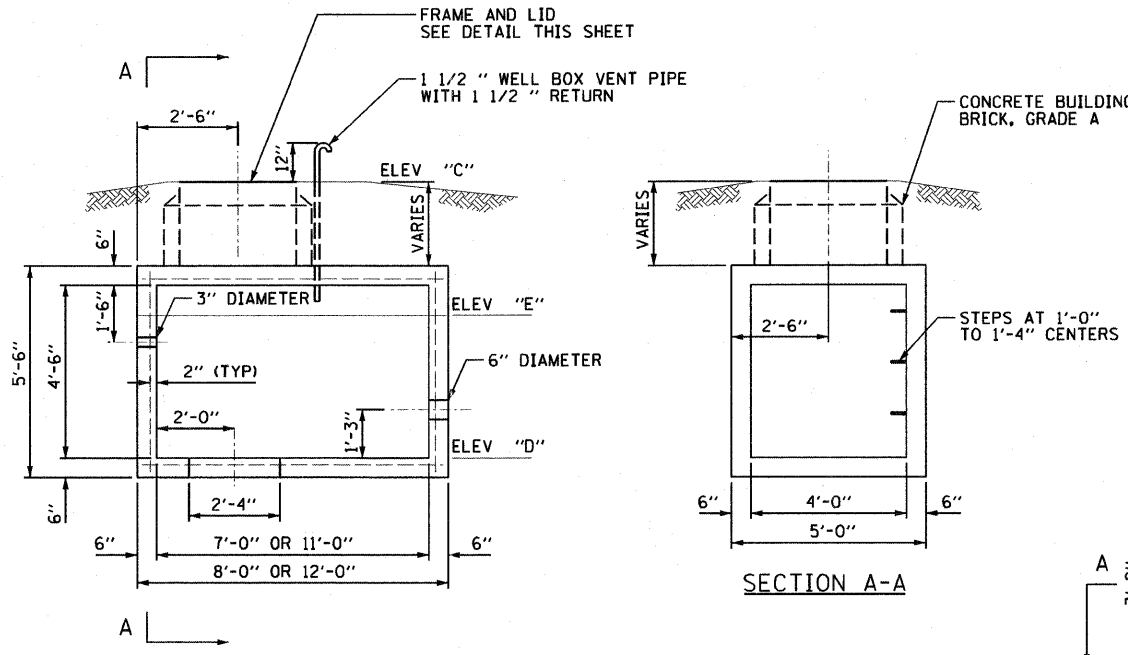


**NOTES:**

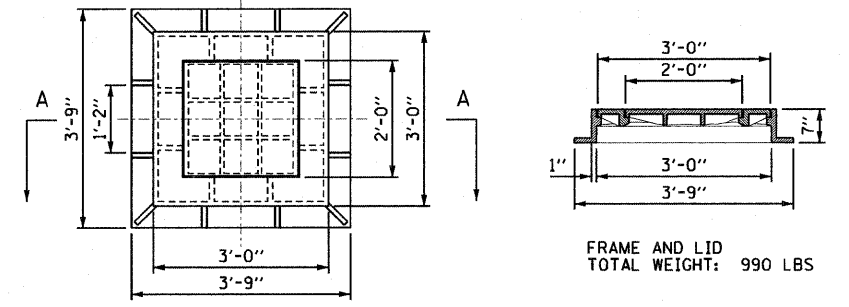
1. REMOVE THE WELL HEAD AND ASSOCIATED PIPING WITHIN THE WELL ENCLOSURE BOX FOR EACH EXISTING DEEP WELL TO BE FILLED. REFER TO SPECIAL PROVISIONS FOR DEEP WELL SEALING AND FILLING PROCEDURES.
2. FILL THE EXISTING PIEZOMETER WELL LOCATED IN CLOSE PROXIMITY TO EACH EXISTING DEEP WELL TO BE FILLED. REFER TO SPECIAL PROVISIONS FOR PIEZOMETER WELL FILLING PROCEDURES.



PLAN



SECTION A-A



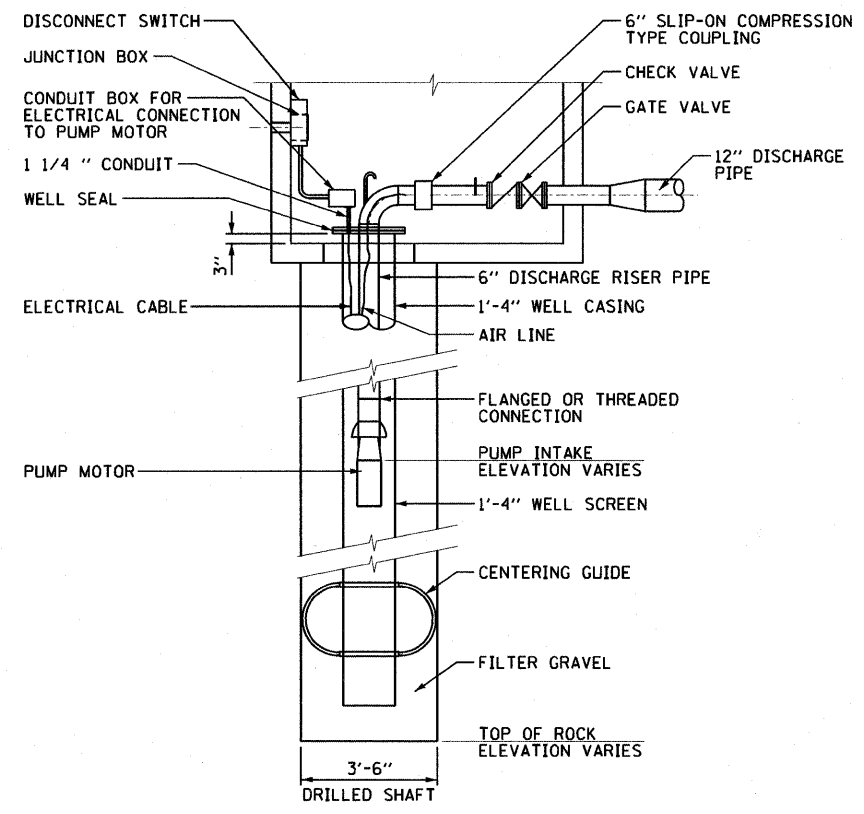
PLAN

SECTION A-A

TYPICAL EXISTING WELL ENCLOSURE BOX FRAME & LID (NOT TO SCALE)

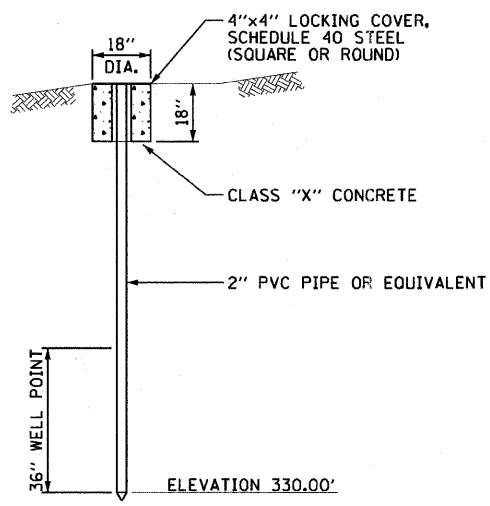
FRAME AND LID  
TOTAL WEIGHT: 990 LBS

TYPICAL EXISTING WELL ENCLOSURE BOX (NOT TO SCALE)



SECTION A-A

TYPICAL EXISTING DEEP WELL (NOT TO SCALE)



TYPICAL EXISTING PIEZOMETER WELL (NOT TO SCALE)

EXISTING WELL ENCLOSURE DEMOLITION AND DEEP WELL ABANDONMENT				
WELL NUMBER	ENCLOSURE LID ELEV. "C"	ENCLOSURE FLOOR ELEV. "D"	REMOVAL DEPTH ELEV. "E"	SPECIAL INSTRUCTIONS
WELL NO.2	401.84	-	-	EXISTING WELL TO BE REMOVED IN CONTRACT 76C53 (BY OTHERS)
WELL NO.3	402.00	392.51	COMPLETE	REMOVE WELLHEAD, RISER PIPING, AND WELL ENCLOSURE BOX, AND FILL WELL
WELL NO.4	399.96	392.29	COMPLETE	REMOVE WELLHEAD, RISER PIPING, AND WELL ENCLOSURE BOX, AND FILL WELL
WELL NO.5	400.32	-	NONE	EXISTING WELL TO REMAIN
WELL NO.11	402.33	395.22	COMPLETE	REMOVE WELLHEAD, RISER PIPING, AND WELL ENCLOSURE BOX, AND FILL WELL
WELL NO.12	401.50	393.39	COMPLETE	REMOVE WELLHEAD, RISER PIPING, AND WELL ENCLOSURE BOX, AND FILL WELL
WELL NO.13	398.85	-	NONE	EXISTING WELL TO REMAIN
WELL NO.14	400.25	-	NONE	EXISTING WELL TO REMAIN
WELL NO.15	400.20	-	NONE	EXISTING WELL TO REMAIN