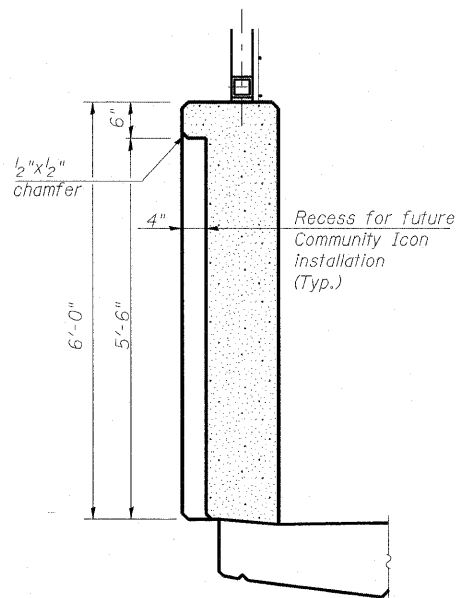
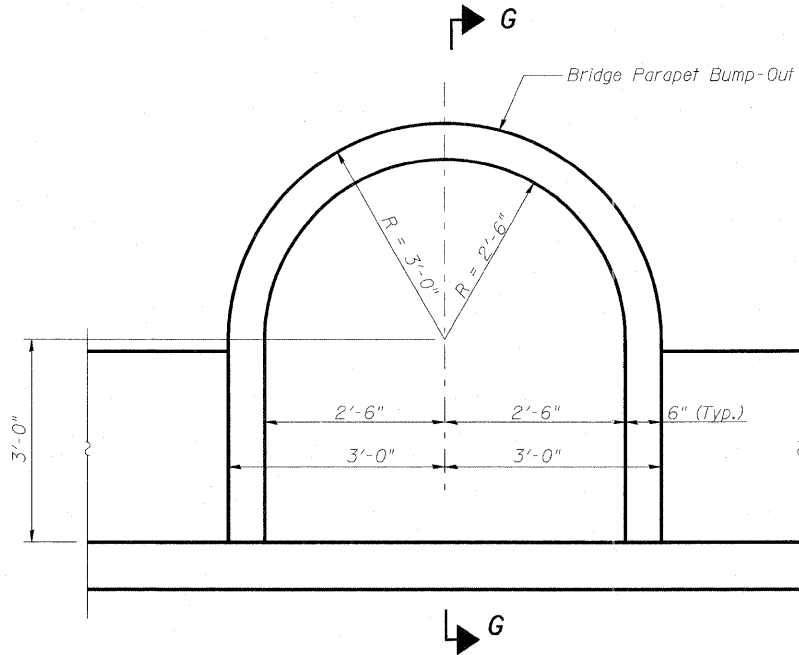


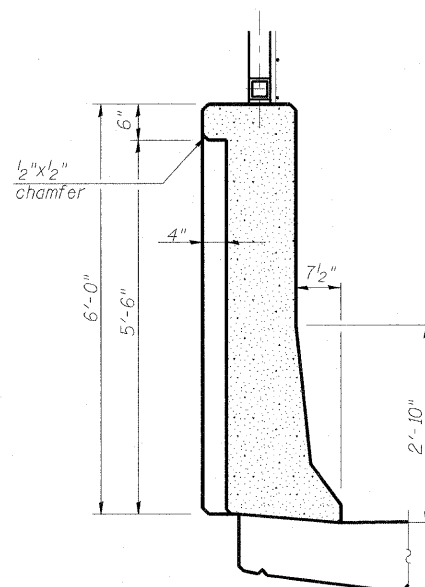
STATE OF ILLINOIS
DEPARTMENT OF TRANSPORTATION



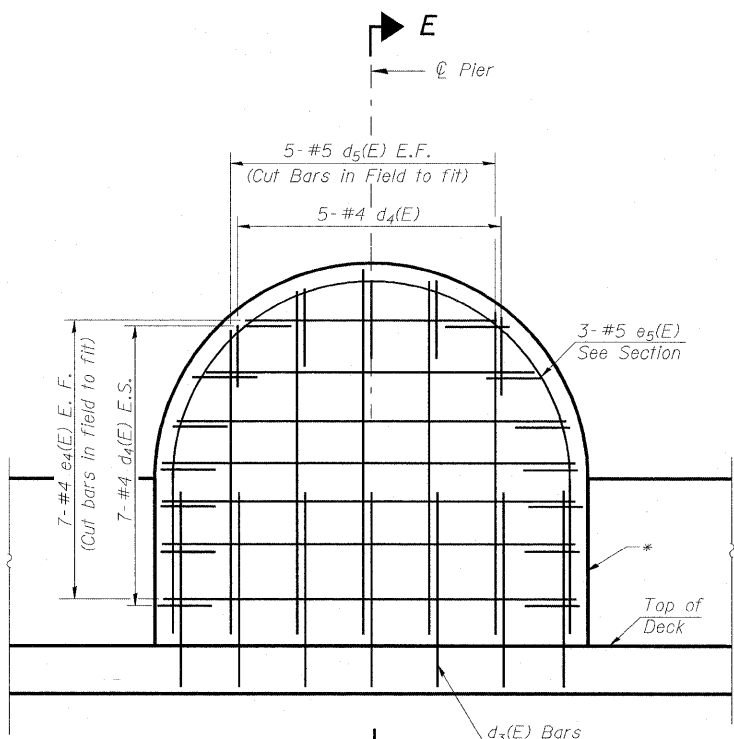
SECTION G-G
(Sidewalk Parapet)



COMMUNITY ICON PARAPET OUTSIDE FACE ELEVATION

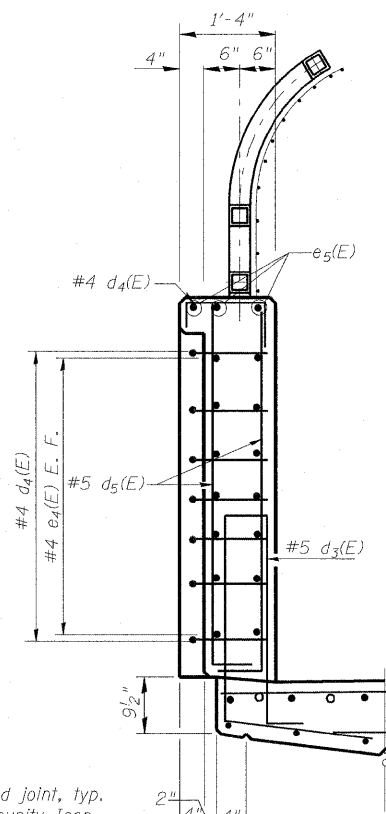


SECTION G-G
(Roadway West Parapet)



DETAIL E

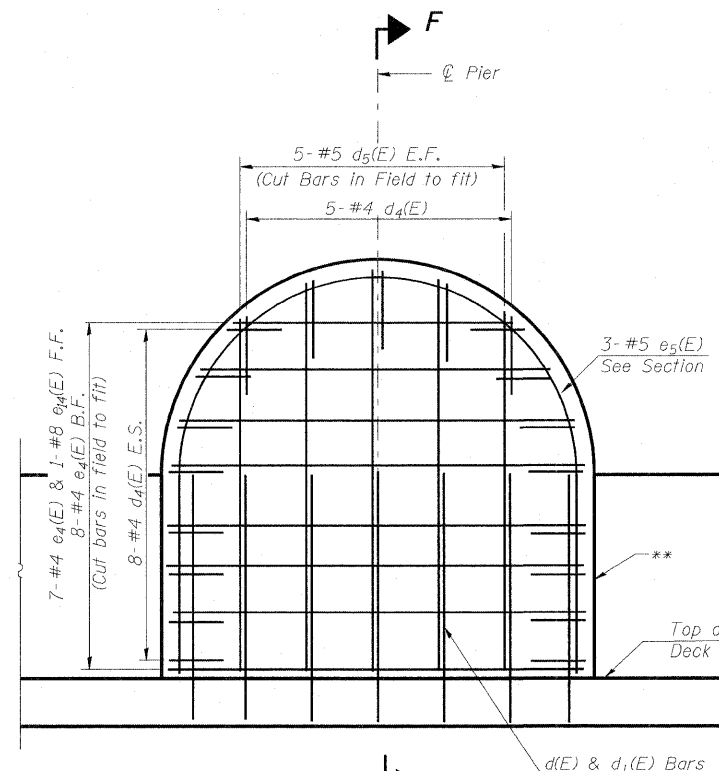
(See Community Icon Parapet Elevation for dimensions)



SECTION E-E

* Sealed, cork filled joint, typ. both sides of Community Icon. See Sht. S13 of S36 for detail.

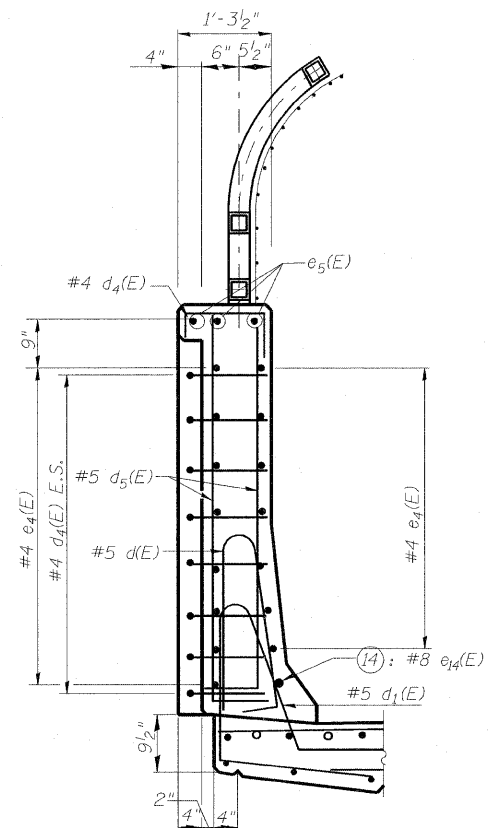
AT SIDEWALK PARAPET



DETAIL F

(See Community Icon Parapet Elevation for dimensions)

AT ROADWAY WEST PARAPET



SECTION F-F

** Aluminum sheet joint in base of parapet; sealed, cork filled joint in top of parapet, typ. both sides of Community Icon. See Sht. S13 of S36 for detail.

**COMMUNITY ICON
PARAPET DETAILS
STRUCTURE NO. 082-0326**

AECOM

303 East Wacker Drive, Suite 600
Chicago, Illinois 60601
Ph: 312.938.0300
Fax: 312.373.6806
www.aecom.com

DESIGNED	- P.J.L.
CHECKED	- D.D.B.
DRAWN	- B.R.D.
CHECKED	- D.D.B.

03/31/2011

SHEET NO.	F.A.I. RTE.	SECTION	COUNTY	TOTAL SHEETS	SHEET NO.
S12	64	82-1-3HB, 82-2N, 82-1-12RS	ST. CLAIR	352	214
S36 SHEETS	F.A.U. 9166 / F.A.U. 9180		CONTRACT NO. 76C51		
FED. ROAD DIST. NO.		ILLINOIS FED. AID PROJECT			