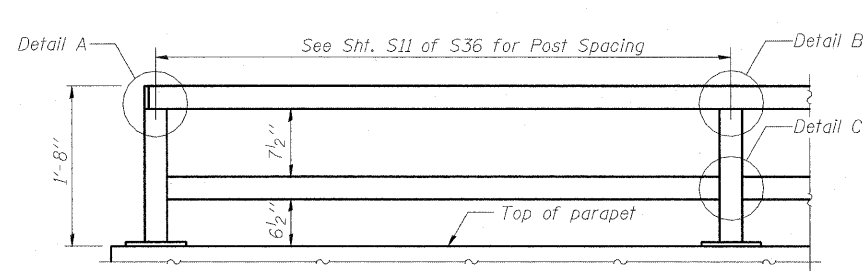
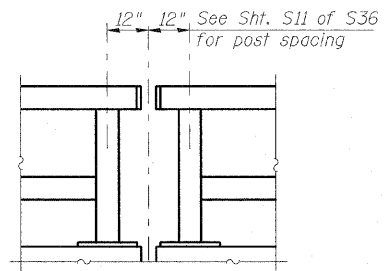


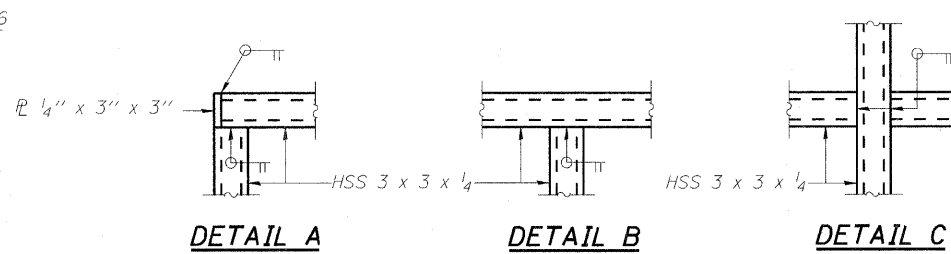
STATE OF ILLINOIS
DEPARTMENT OF TRANSPORTATION



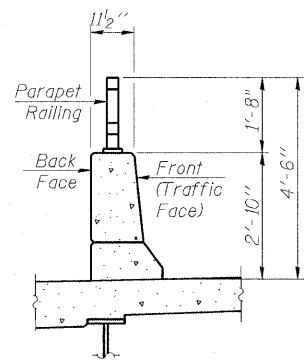
**PARAPET RAILING
ELEVATION**
(Inside Face of Two Element Rail)



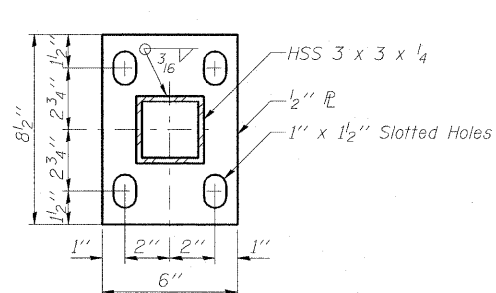
**PARAPET RAILING ELEVATION
AT FULL DEPTH PARAPET JOINT**
(Two Element Rail Shown - Three Element Rail Similar)



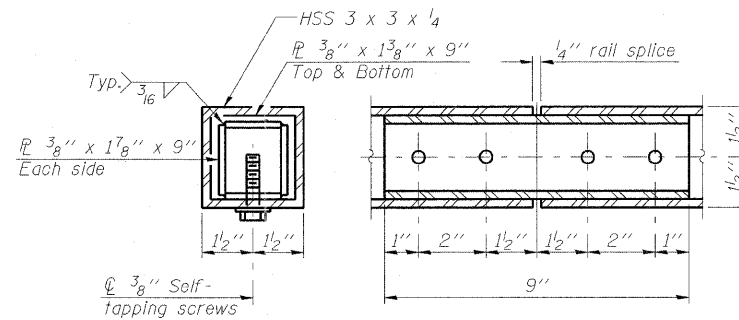
Notes:
All post, railing, splices, anchor devices and plates shall be painted using the DuPont Imron 2.1 HG High Gloss Polyurethane (Includes Mix Quality "VF") or approved equal. The color of the final finish coat shall be Black.



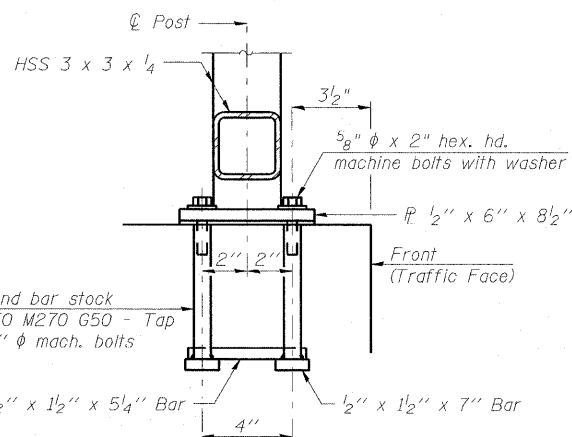
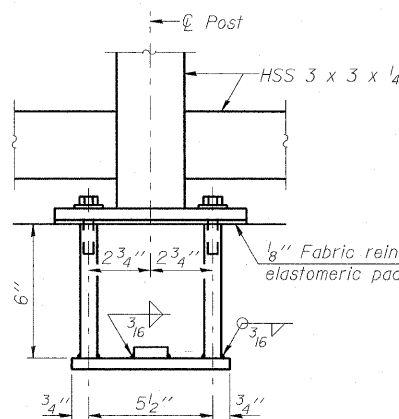
SECTION THRU DECK



BASE PL



RAIL SPLICE



ANCHOR BOLT DETAILS

In lieu of the cast-in-place anchor device shown, the Contractor has the option of drilling and setting 5/8" phi anchor rods according to Article 509.06 of the Standard Specifications. Embedment shall be according to the manufacturer's specifications.

BILL OF MATERIAL

Item	Unit	Quantity
Parapet Railing	Foot	353.4

AECOM

303 East Wacker Drive, Suite 600
Chicago, Illinois 60601
Ph: 312.938.0300
Fax: 312.373.6806
www.aecom.com

DESIGNED	- P.J.L.
CHECKED	- D.D.B.
DRAWN	- B.R.D.
CHECKED	- D.D.B.

03/31/2011

(10'-0" Maximum Post Spacing)

**PARAPET RAILING DETAILS
STRUCTURE NO. 082-0326**

SHEET NO. S20	F.A.I. RTE.	SECTION	COUNTY	TOTAL SHEETS	SHEET NO.
64	82-1-3HB, 82-2N, 82-1-12RS	ST. CLAIR	352	222	
S36 SHEETS	F.A.U. 9166 / F.A.U. 9180		CONTRACT NO. 76C51		
	FED. ROAD DIST. NO.	ILLINOIS	FED. AID PROJECT		