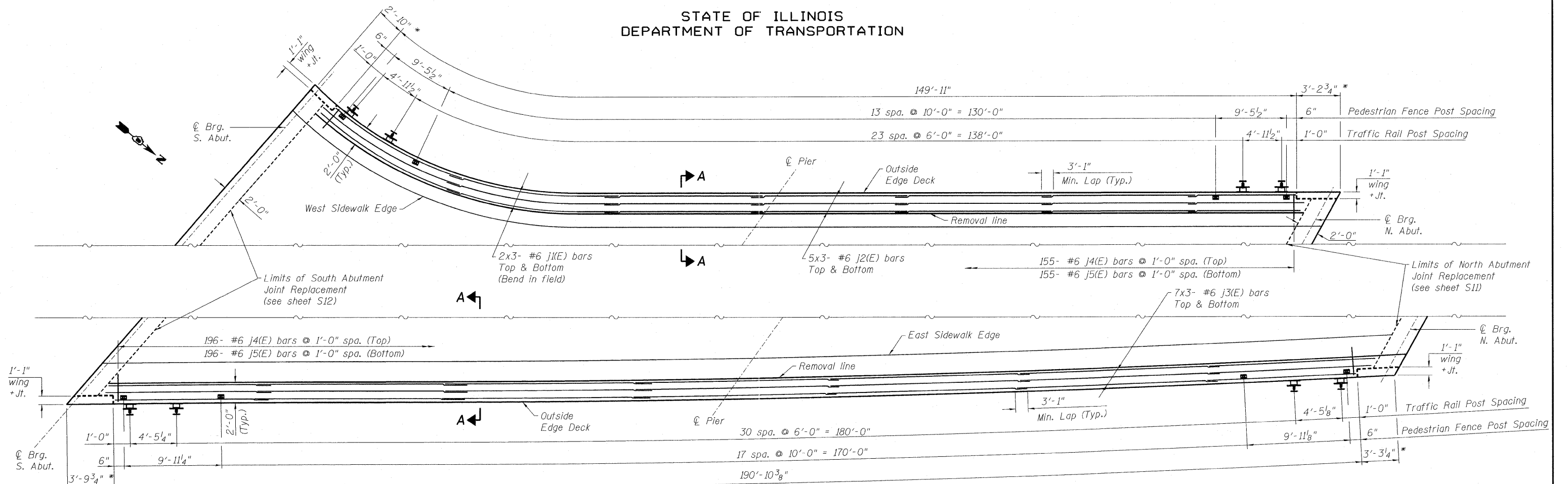


STATE OF ILLINOIS  
DEPARTMENT OF TRANSPORTATION

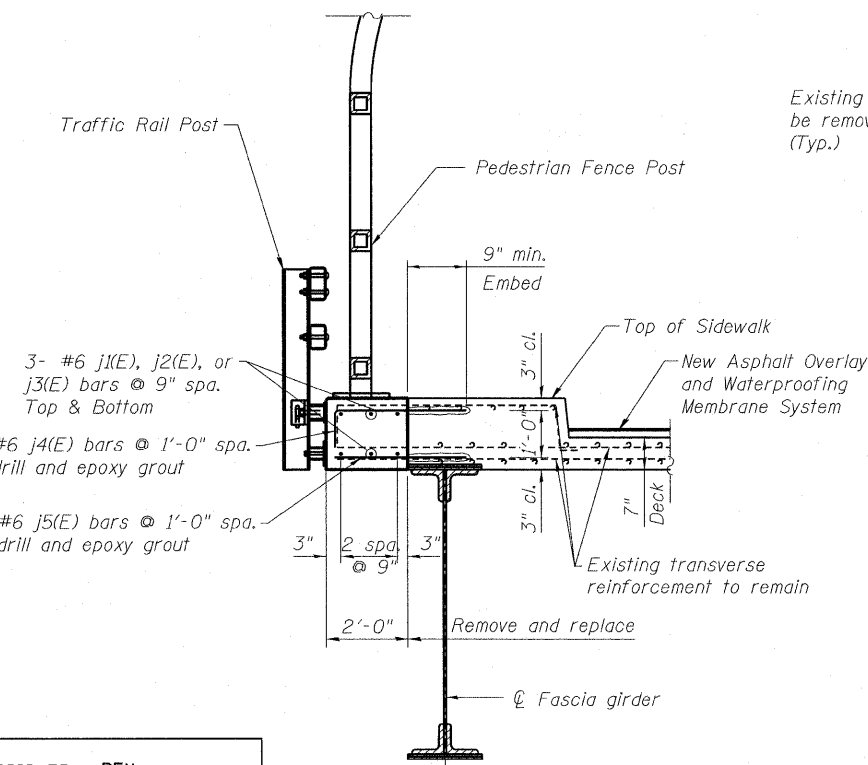


DECK EDGE REPLACEMENT PLAN

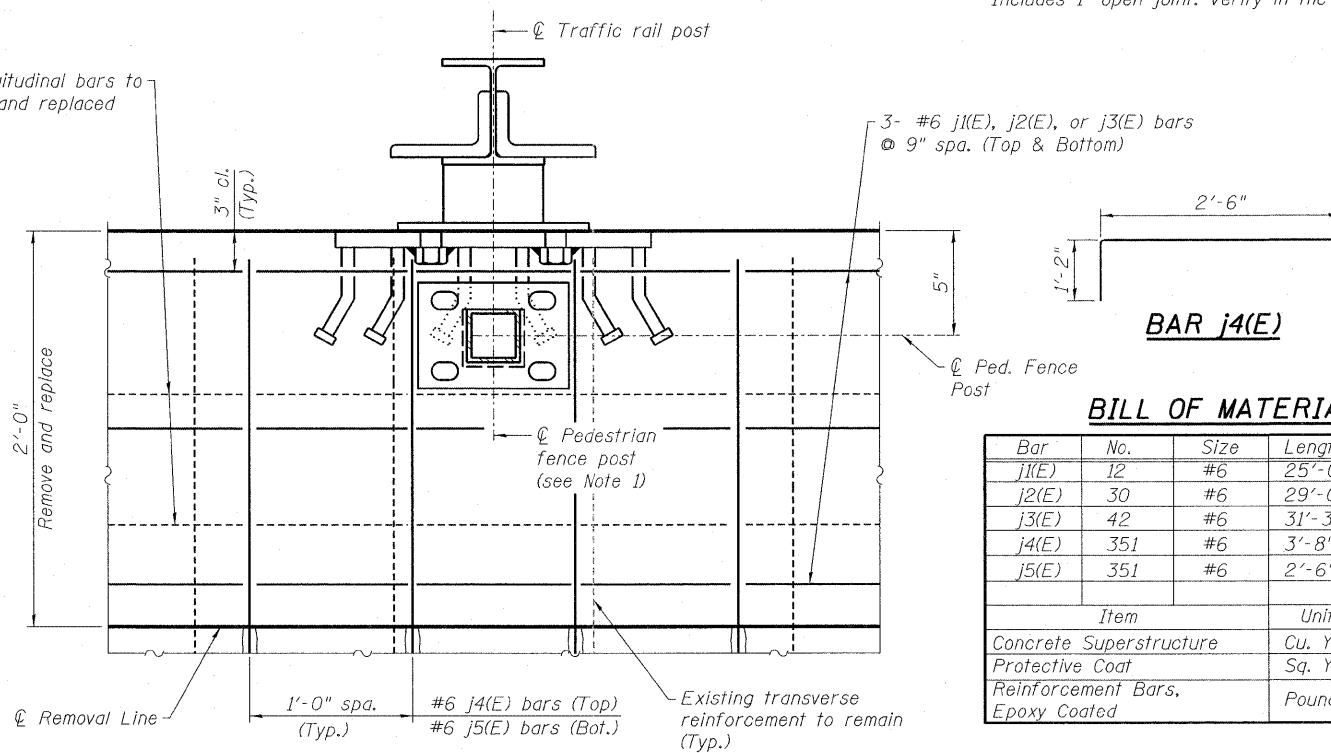
\* Dimensions determined from existing plans. Includes 1" open joint. Verify in the field.

NOTES:

- Where  $\odot$  fence posts meet with  $\odot$  rail post, Contractor shall ensure studs and anchor bolts do not conflict.
- All existing transverse reinforcement to be left in place when concrete is removed and replaced. Rebar shall be cleaned and incorporated into new concrete with installation of new traffic rail and pedestrian fencing.
- Locations of reinforcement are approximate. Contractor will need to verify locations in the field and determine dimensions for embed placement prior to creation of shop drawings for traffic rail and pedestrian fence.
- Epoxy grout in accordance with Article 584 of the Standard Specifications.
- This sheet to be worked with sheets S6 and S7.
- Drilling of anchor rods included under Concrete Superstructure.
- At the corner wingwall blockouts, increase reinforcement lap lengths as necessary to fit. Work with sheet S4.
- Contractor shall not damage existing structural elements in accordance with Article 501.05 of the Standard Specifications. Any damage to existing beams shall be repaired by Contractor at no additional cost to the contract.
- Saw cutting of existing deck on top of existing beam flanges is not allowed.



SECTION A-A



TYPICAL CONNECTION DETAIL PLAN

BAR j4(E)

Bar	No.	Size	Length	Shape
j1(E)	12	#6	25'-0"	—
j2(E)	30	#6	29'-0"	—
j3(E)	42	#6	31'-3"	—
j4(E)	351	#6	3'-8"	—
j5(E)	351	#6	2'-6"	—
Item		Unit	Quantity	
Concrete Superstructure		Cu. Yd.	40	
Protective Coat		Sq. Yd.	79	
Reinforcement Bars, Epoxy Coated		Pound	6,980	

RAILING CONNECTION DETAIL  
STRUCTURE NO. 082-0099

DESIGNED - DEV
CHECKED - EJO
DRAWN - DEV
CHECKED - EJO

SHEET NO. S8 S20 SHEETS	F.A.I. RTE.	SECTION	COUNTY	TOTAL SHEETS	SHEET NO.
	64	82-1-3HB, 82-2N, 82-1-12RS	ST. CLAIR	352	246
	F.A.U. 9166 / F.A.U. 9180		CONTRACT NO. 76C51		
FED. ROAD DIST. NO.		ILLINOIS	FED. AID PROJECT		