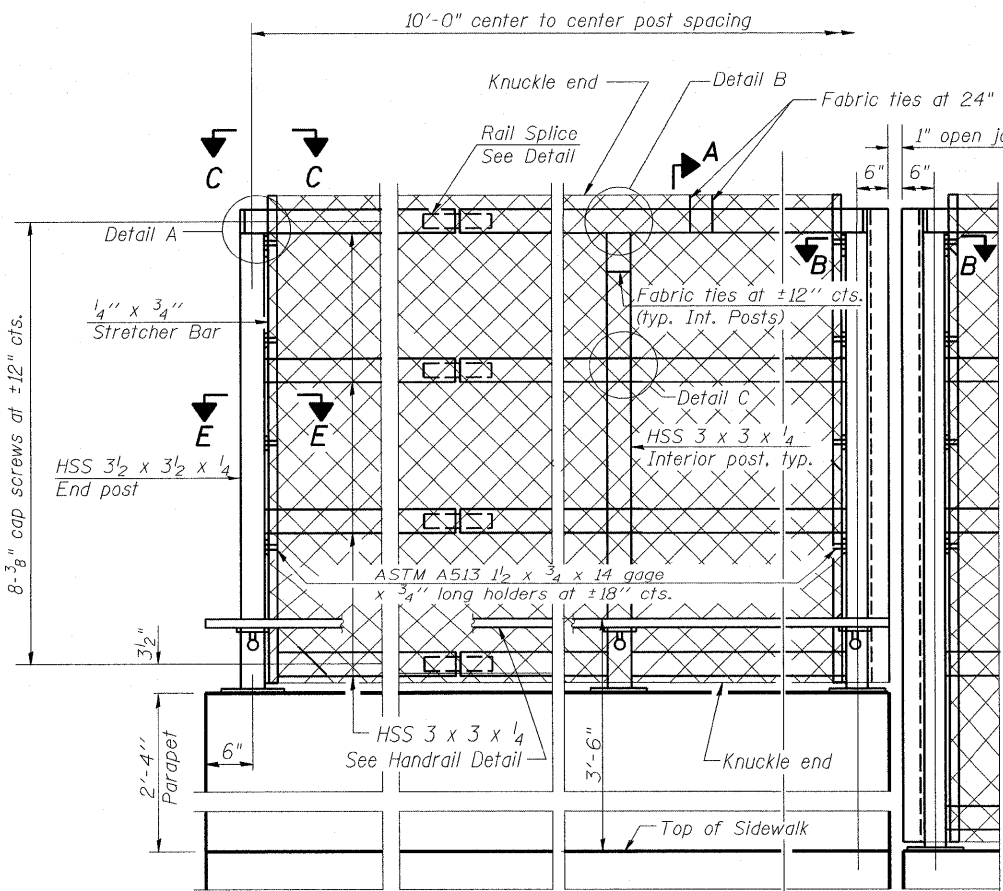
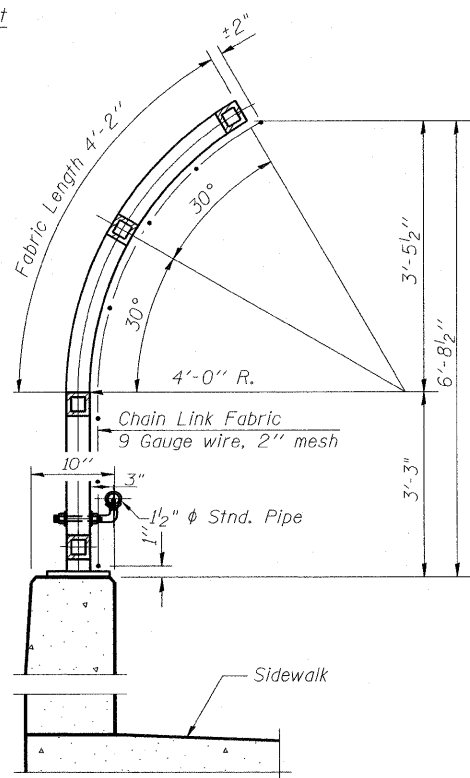


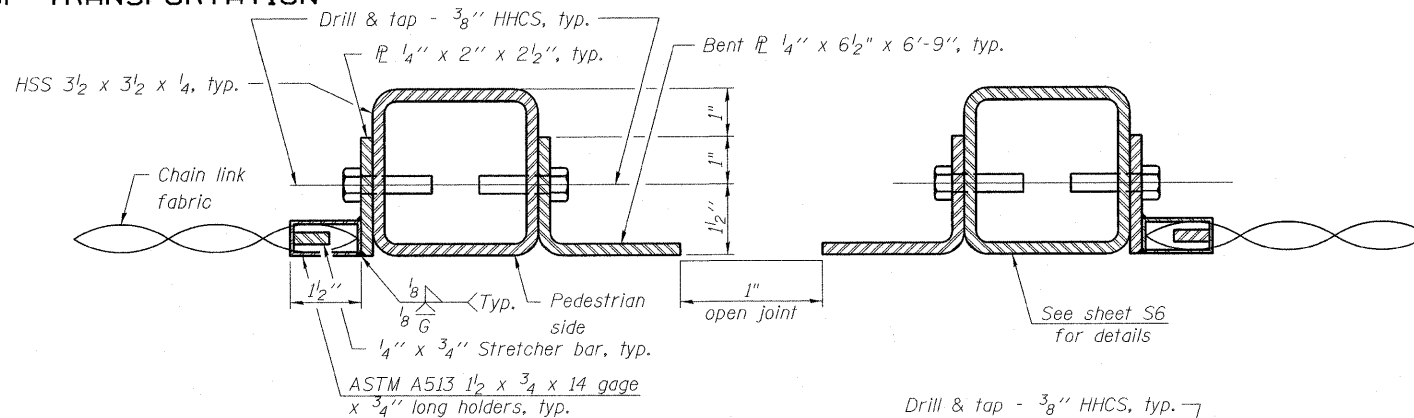
STATE OF ILLINOIS
DEPARTMENT OF TRANSPORTATION



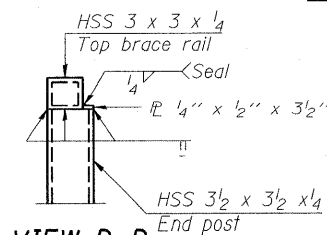
ELEVATION
(Inside Face)



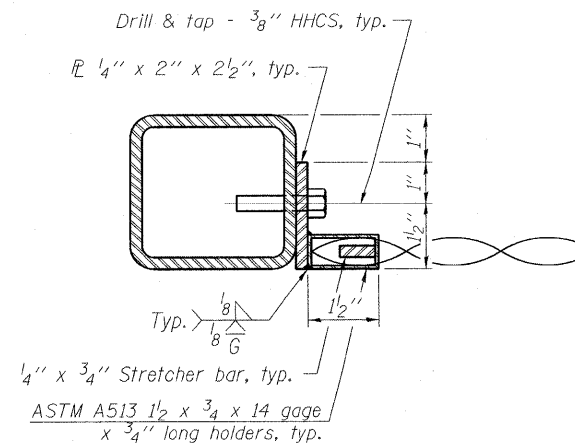
SECTION A-A



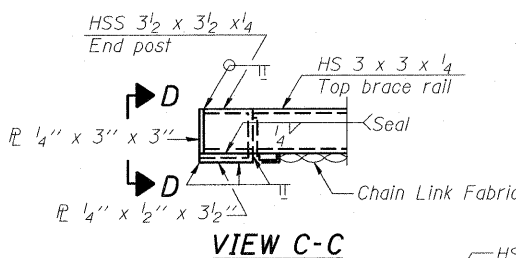
SECTION B-B



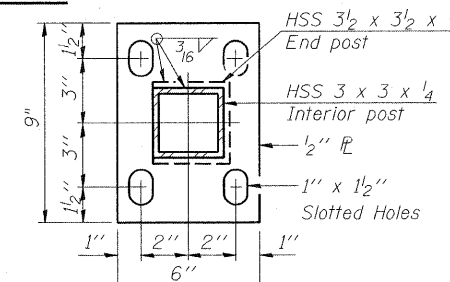
VIEW D-D



SECTION E-E



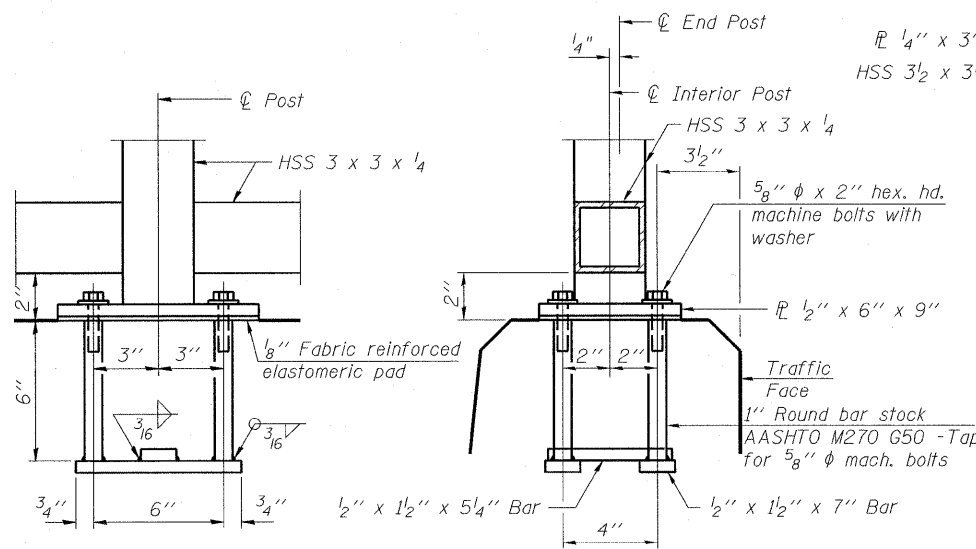
VIEW C-C



BASE P

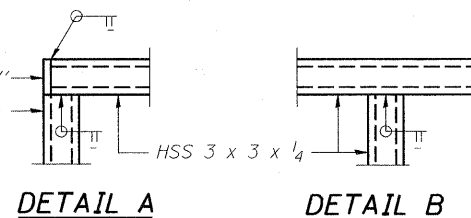
BILL OF MATERIAL

Item	Unit	Quantity
Bridge Fence Railing	Foot	223

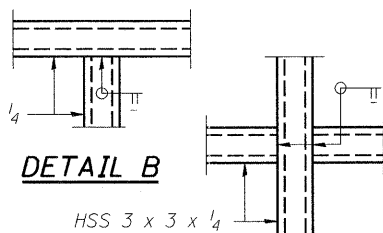


ANCHOR BOLT DETAILS

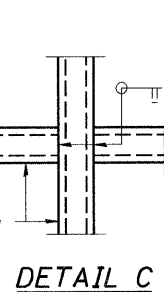
In lieu of the cast-in-place anchor device shown, the Contractor has the option of drilling and setting 5/8" φ anchor rods according to Article 509.06 of the Standard Specifications. Embedment shall be according to the manufacturer's specifications.



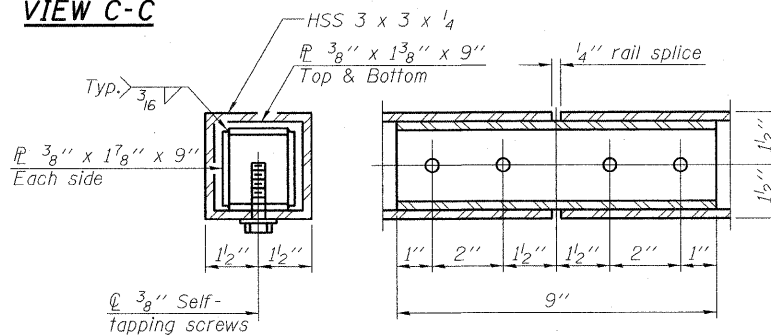
DETAIL A



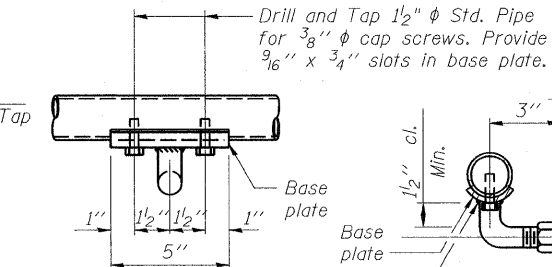
DETAIL B



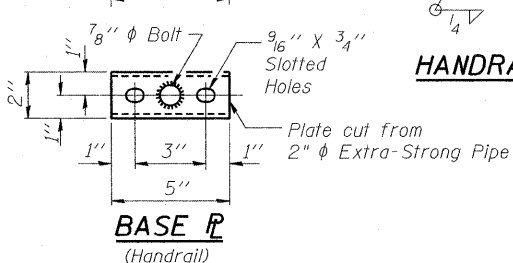
DETAIL C



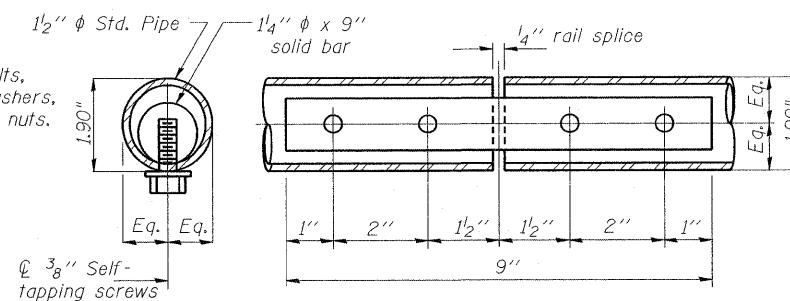
RAIL SPLICE



HANDRAIL DETAIL



BASE P
(Handrail)



HANDRAIL SPLICE

NOTES:

- All steel rail elements shall be galvanized according to Article 509.05 of the Standard Specifications.
- Removal of existing fence and traffic rail on top of wing wall is included in cost for Concrete Removal.
- For Fence Parapet Plan, see next sheet.

**PARAPET MOUNTED
FENCE DETAILS
STRUCTURE NO. 082-0099**

DESIGNED - DEV
CHECKED - EJO
DRAWN - DEV
CHECKED - EJO

SHEET NO.	F.A.I. RTE.	SECTION	COUNTY	TOTAL SHEETS	SHEET NO.
S9	64	82-1-3HB, 82-2N, 82-1-12RS	ST. CLAIR	352	247
S20 SHEETS	F.A.U. 9166 / F.A.U. 9180		CONTRACT NO. 76C51		
FED. ROAD DIST. NO.		ILLINOIS	FED. AID PROJECT		