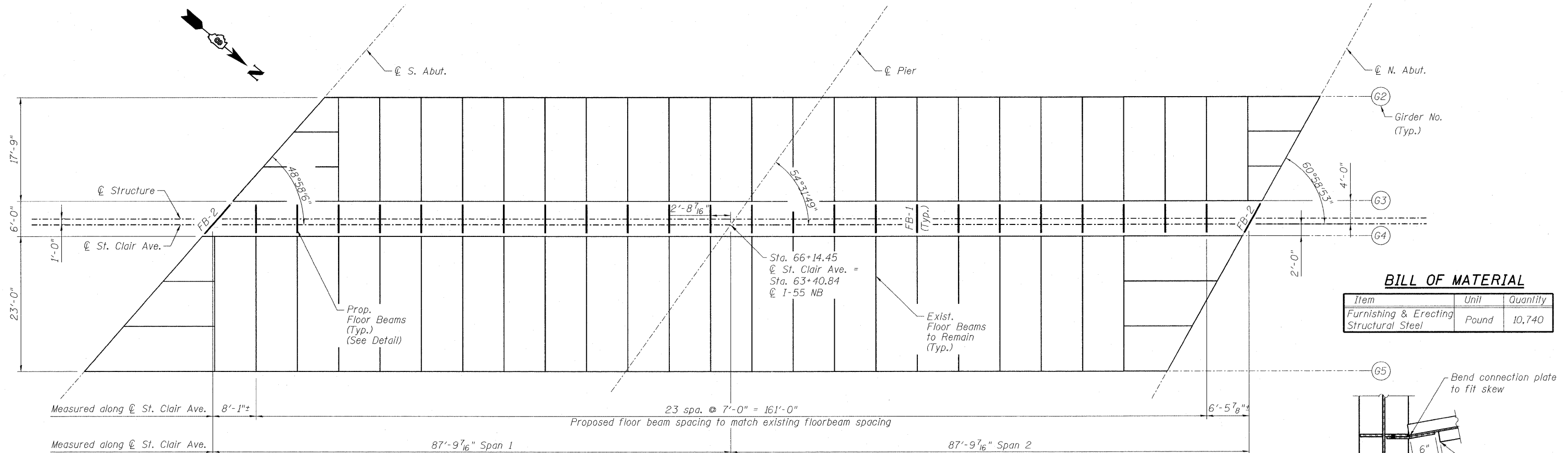
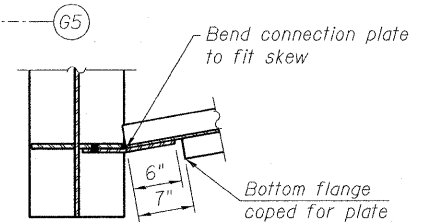


STATE OF ILLINOIS
DEPARTMENT OF TRANSPORTATION

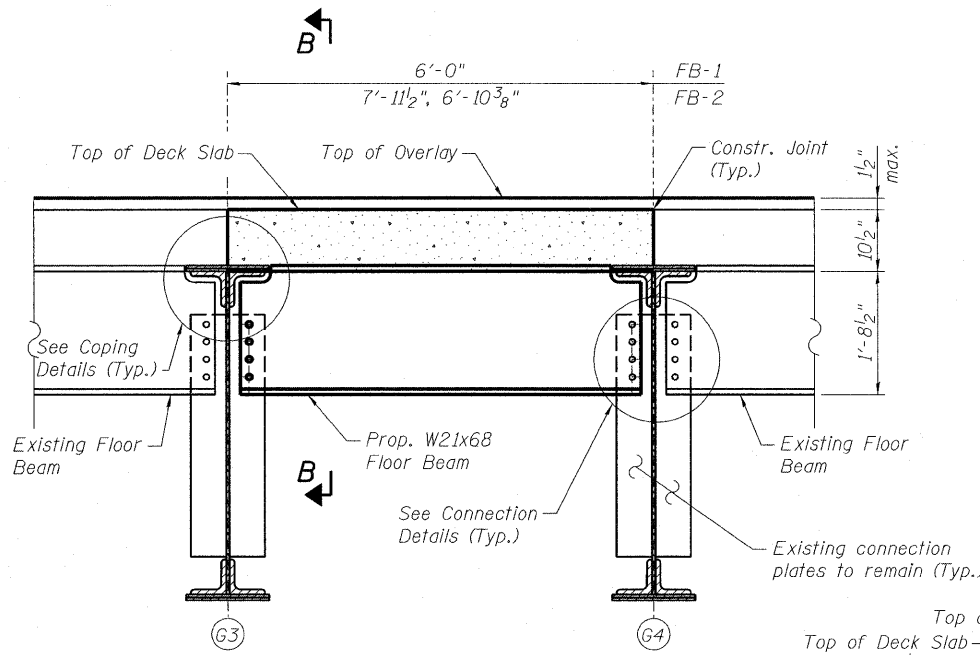


BILL OF MATERIAL

Item	Unit	Quantity
Furnishing & Erecting Structural Steel	Pound	10,740

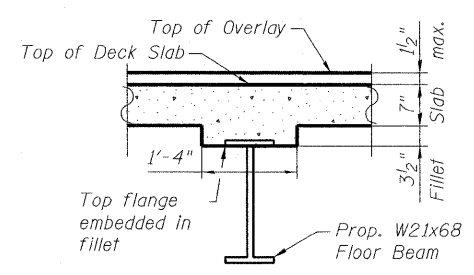


PARTIAL FRAMING PLAN

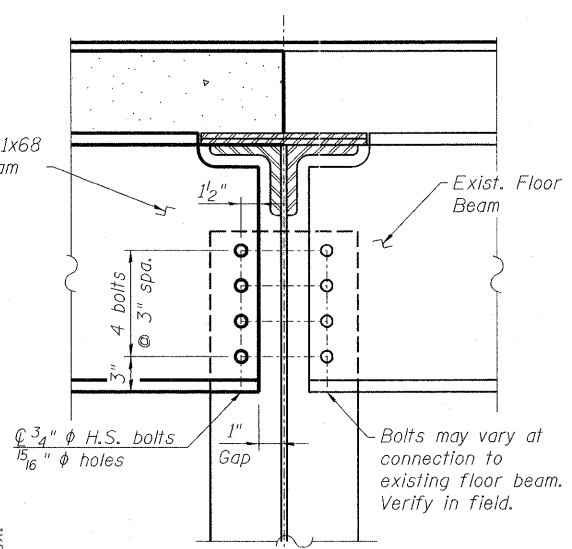


TYPICAL FLOOR BEAM DETAIL

FB-1 = (24 required)
FB-2 = (2 required)

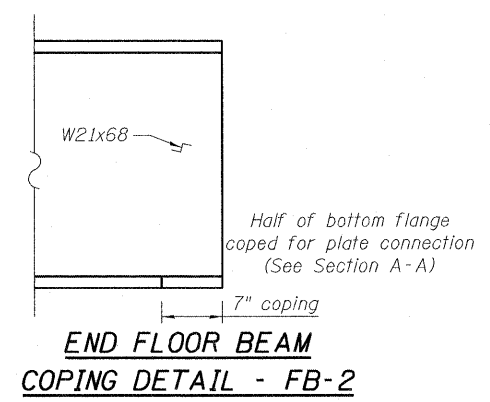


SECTION B-B

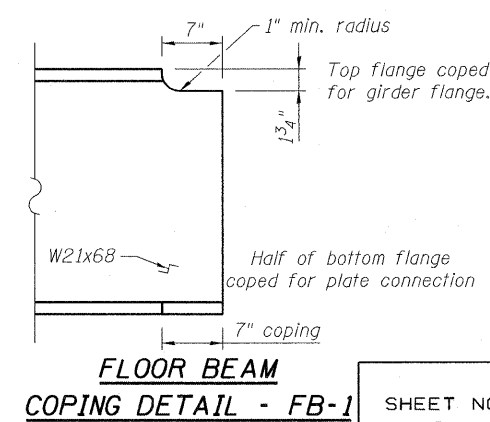


FLOOR BEAM CONNECTION DETAIL - FB-1

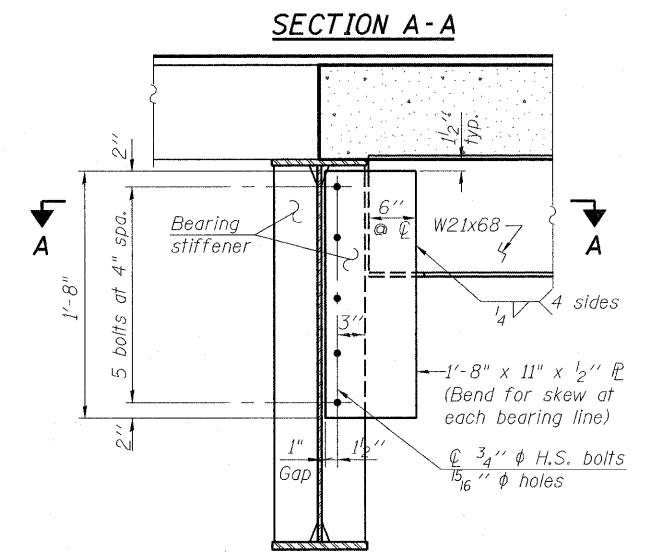
5/16" bolt holes in new floor beams shall be shop drilled. Field drill bolt holes in connection plates to ensure proper alignment. Drilling holes included in Furnishing and Erecting Structural Steel pay item. Two hardened washers required for each set of oversized holes.



END FLOOR BEAM COPING DETAIL - FB-2



FLOOR BEAM COPING DETAIL - FB-1



END FLOOR BEAM CONNECTION DETAIL - FB-2

5/16" bolt holes in new floor beam connection plate shall be shop drilled. Field drill bolt holes in existing connection plate to ensure proper alignment. Drilling holes included in Furnishing and Erecting Structural Steel pay item. Two hardened washers required for each set of oversized holes.

FRAMING PLAN

STRUCTURE NO. 082-0099

DESIGNED -	DEV
CHECKED -	EJO
DRAWN -	MRK
CHECKED -	EJO

SHEET NO.	F.A.I. RTE.	SECTION	COUNTY	TOTAL SHEETS	SHEET NO.
S14	64	82-1-3HB, 82-2N, 82-1-12RS	ST. CLAIR	352	252
S20 SHEETS	F.A.U. 9166 / F.A.U. 9180	CONTRACT NO. 76C51			
FED. ROAD DIST. NO.		ILLINOIS	FED. AID PROJECT		