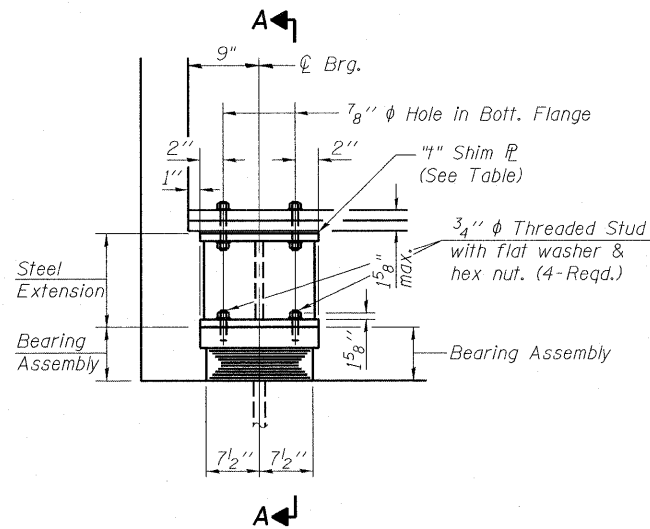
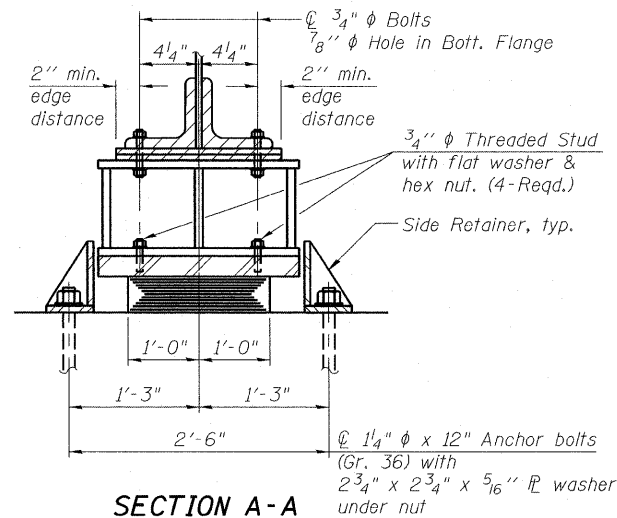


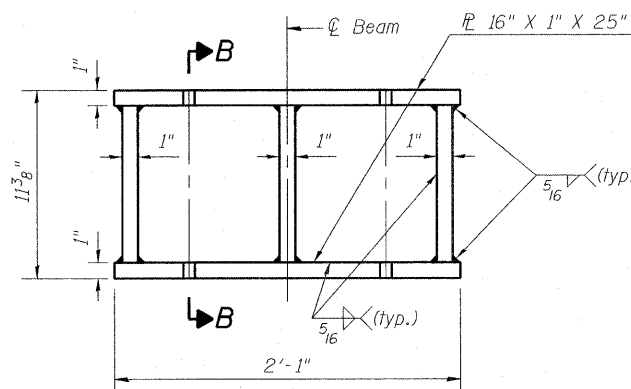
STATE OF ILLINOIS
DEPARTMENT OF TRANSPORTATION



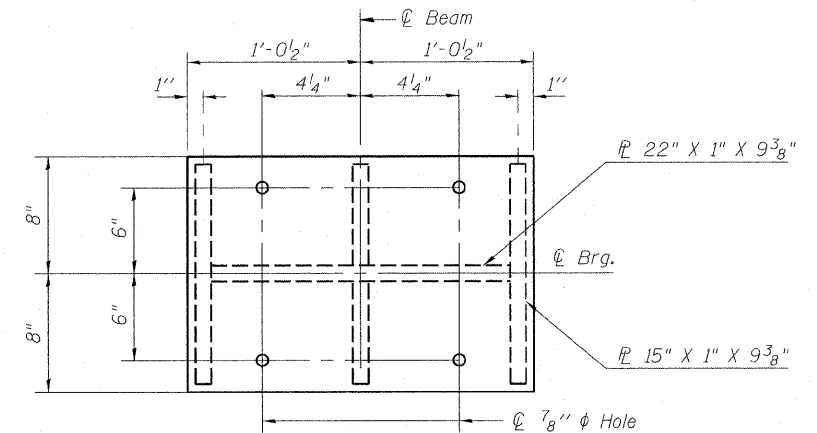
ELEVATION AT ABUT.



SECTION A-A



ELEVATION STEEL EXTENSION

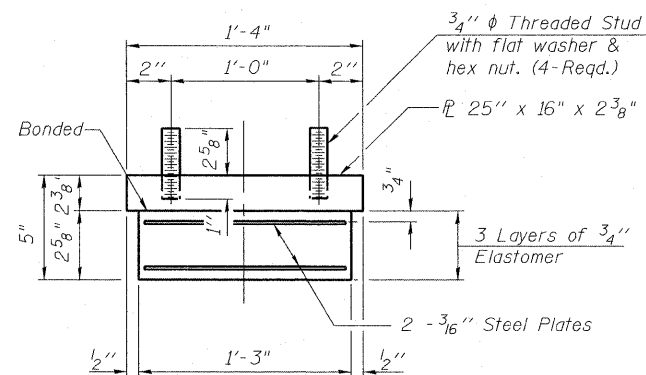


PLAN STEEL EXTENSION

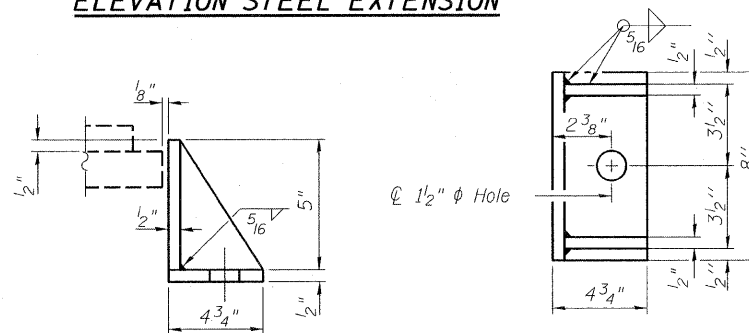
TYPE I ELASTOMERIC EXP. BRG.

NOTES:

- Anchor bolts shall be ASTM F1554 all-thread (or an Engineer-approved alternate material) of the grade(s) and diameter(s) specified. ASTM A307 Grade C anchor bolts may be used in lieu of ASTM F1554 Grade 36 (Fy=36ksi). The corresponding specified grade of AASHTO M314 anchor bolts may be used in lieu of ASTM F1554.
- Drilled and set anchor bolts shall be installed according to Article 521.06 of the Standard Specifications.
- Side retainers, shims, and steel extensions required for the bearing assembly shall be included in the cost of Elastomeric Bearing Assembly, Type I.
- Prior to ordering any material, the Contractor shall verify in the field all bearing height and shim thickness dimensions.
- Shim plates shall not be placed under Bearing Assembly.
- Traffic shall be rerouted during jacking and bearing replacement so that vehicles will not be located on the jacked portion of the deck until bearing replacement is complete.
- Minimum jack capacity shall be 200 tons.
- Diaphragms and floor beams shall not be used as load carrying members in the jacking system.
- Anchor bolts for side retainers shall be installed after bearings and members are set.
- Dimensions shown for existing girders are based on existing plans and shall be field verified by Contractor prior to installation.

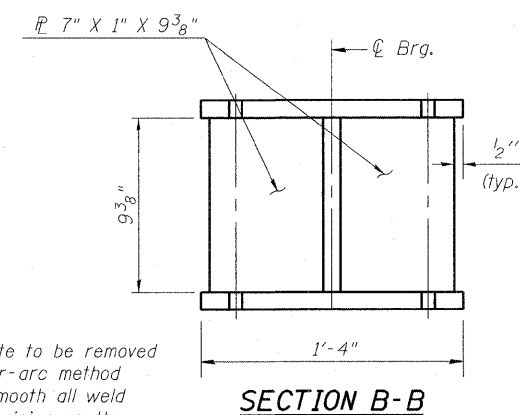


BEARING ASSEMBLY



SIDE RETAINER

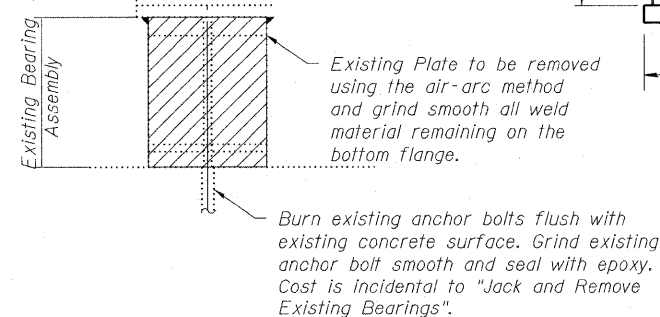
Equivalent rolled angle with stiffeners will be allowed in lieu of welded plates.



SECTION B-B

EXISTING ABUTMENT BEARING REMOVAL DETAIL

(Existing pier bearings are to remain)



Existing Beam	North Abutment Shim Pl., "I"	South Abutment Shim Pl., "I"
G-1	3 3/8"	1 3/8"
G-1A	-	1 3/8"
G-2	7 3/8"	5 3/8"
G-3	3 3/8"	1 3/8"
G-4	3 3/8"	1 3/8"
G-5	7 3/8"	5 3/8"
G-6	3 3/8"	1 3/8"

SHIM PLATE THICKNESS

REACTIONS FOR JACKING FORCES

Location	DL (kips)	LL+I (kips)	Total (kips)
South Abutment	123.7	159.8	283.5
North Abutment	117.5	159.5	277.0

BILL OF MATERIAL

Item	Unit	Quantity
Elastomeric Bearing Assembly, Type I	Each	13
Jack and Remove Existing Bearings	Each	13
Anchor Bolts, 1/4" φ	Each	26

EXPANSION BEARING
DETAILS
STRUCTURE NO. 082-0099

DESIGNED - DD
CHECKED - EJO
DRAWN - DD
CHECKED - EJO

SHEET NO.	F.A.I. RTE.	SECTION	COUNTY	TOTAL SHEETS	SHEET NO.
S15	64	82-1-3HB, 82-2N, 82-1-12RS	ST. CLAIR	352	253
S20 SHEETS	F.A.U. 9166 / F.A.U. 9180		CONTRACT NO. 76C51		
FED. ROAD DIST. NO.		ILLINOIS	FED. AID PROJECT		