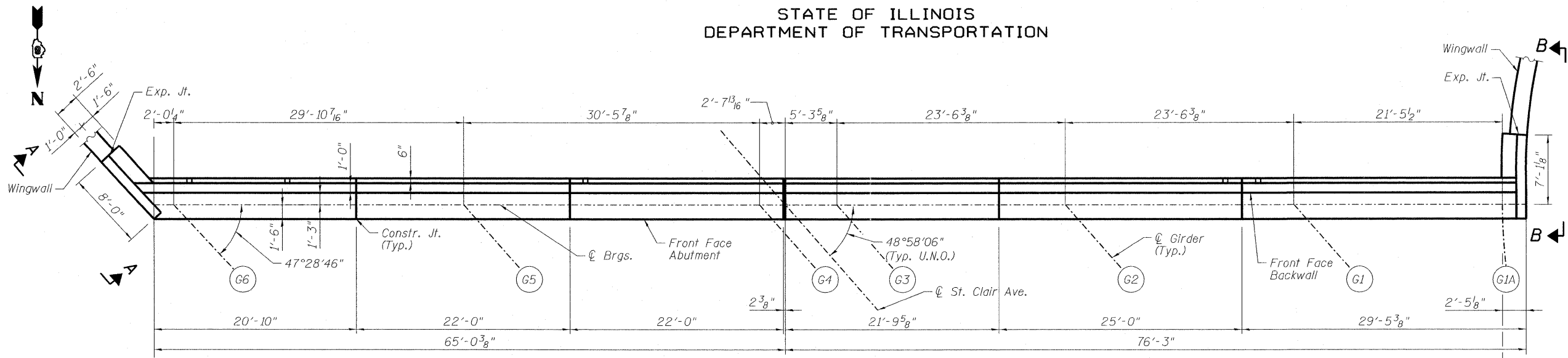
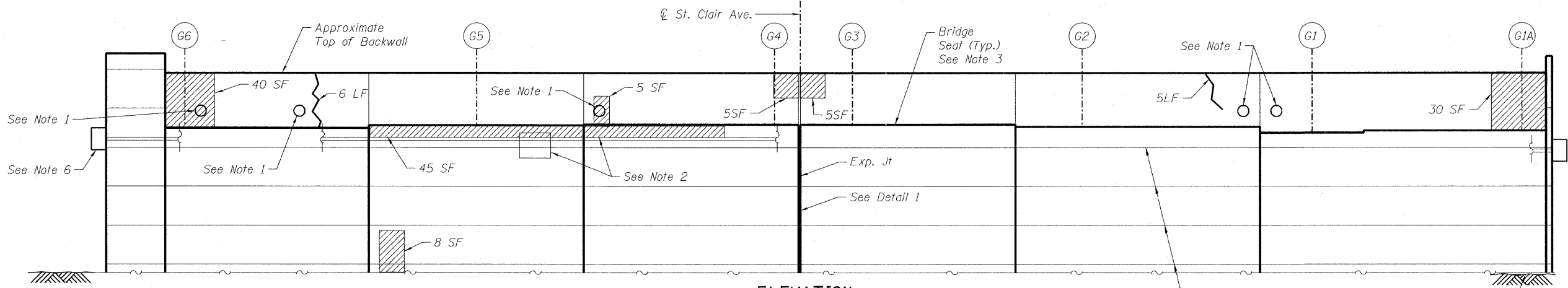


STATE OF ILLINOIS
DEPARTMENT OF TRANSPORTATION

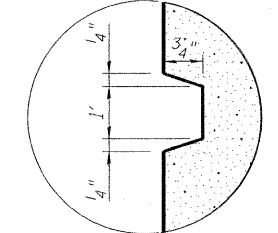


PLAN



ELEVATION
(Looking South)

- NOTES:**
1. \bigcirc Denotes existing 2" ϕ conduit with sleeve thru the backwall. The Contractor shall protect the conduit during repair work and replace at no additional cost if damaged by the Contractor. Cost included with Structural Repair of Concrete.
 2. The Contractor is advised that conduit and luminaries are attached to the front face of abutment. The Contractor shall field verify location of existing conduits and luminaries to avoid any damage. The Contractor shall coordinate the abutment repair work with the removal of the existing underpass lighting system under Contract 76C54. The cost for this work shall be included in the Unit Price for Structural Repair of Concrete.
 3. The Contractor shall clean all debris, scrap steel plates, stone, bituminous material, chunks of concrete etc. from the bridge seats, and around existing bearings. Cost included with Structural Repair of Concrete.
 4. Superstructure and deck not shown for clarity.
 5. Concrete Sealer shall be applied to front face of abutment, backwall, and bridge seat.
 6. The Contractor shall coordinate the abutment repair work with installation on new ITS conduit(s) under Contract 76C36. The cost for this work shall be included in the Unit Price for Structural Repair of Concrete.



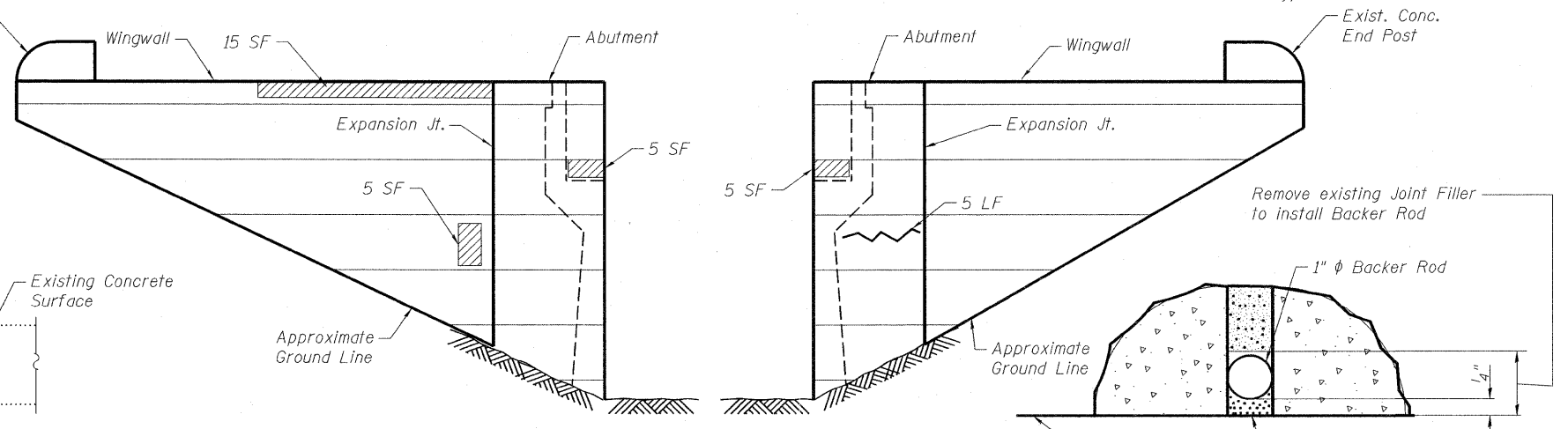
EXISTING RUSTICATIONS
DETAIL

Note: The Contractor shall restore rustications in the repair areas. Cost included with Structural Repair of Concrete.

- LEGEND**
- Epoxy Crack Injection
 - Area of structural repair of concrete (depth equal to or less than 5")

BILL OF MATERIAL

Item	Unit	Quantity
Structural repair of concrete (depth equal to or less than 5")	Sq Ft	168
Epoxy Crack Injection	Foot	16
Concrete Sealer	Sq. Ft.	3,534

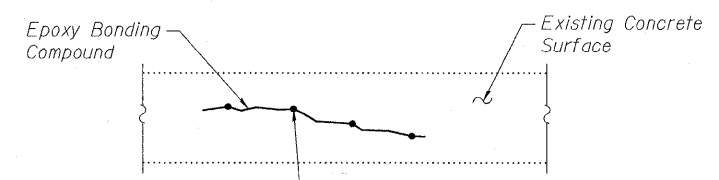


VIEW A-A

VIEW B-B

DETAIL 1

Cost included with Structural Repair of Concrete.



EPOXY CRACK INJECTION

Horizontal and vertical cracks shall have one way injection ports installed in accordance with section 590 of Std. Spec.

DESIGNED - WLB
CHECKED - EJO
DRAWN - JHR
CHECKED - EJO

**SOUTH ABUTMENT REPAIR
STRUCTURE NO. 082-0099**

SHEET NO. S16 S20 SHEETS	F.A.I. RTE.	SECTION	COUNTY	TOTAL SHEETS	SHEET NO.
	64	82-1-3HB, 82-2N, 82-1-12RS	ST. CLAIR	352	254
	F.A.U. 9166 / F.A.U. 9180		CONTRACT NO. 76C51		
FED. ROAD DIST. NO.		ILLINOIS	FED. AID PROJECT		