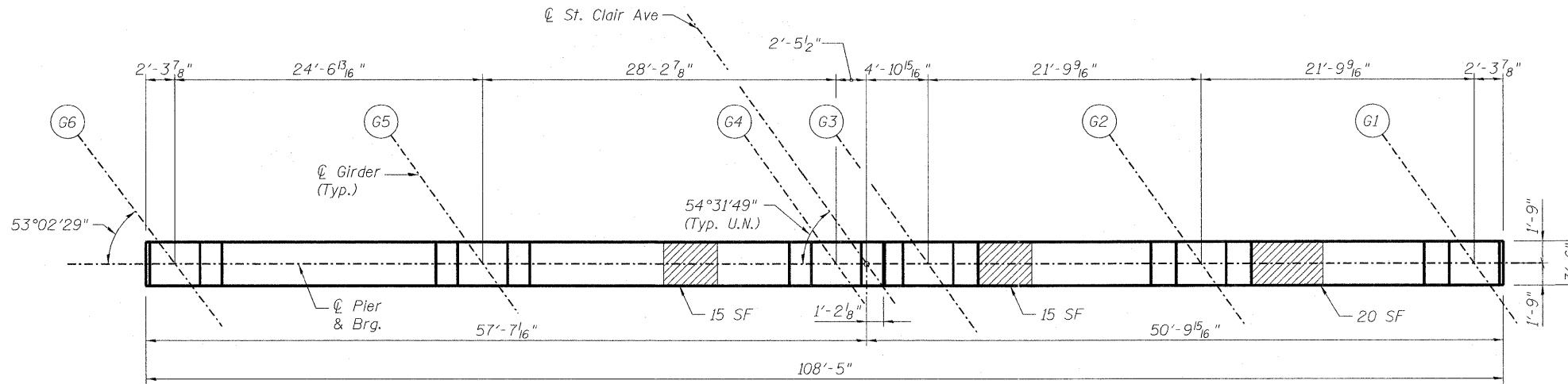
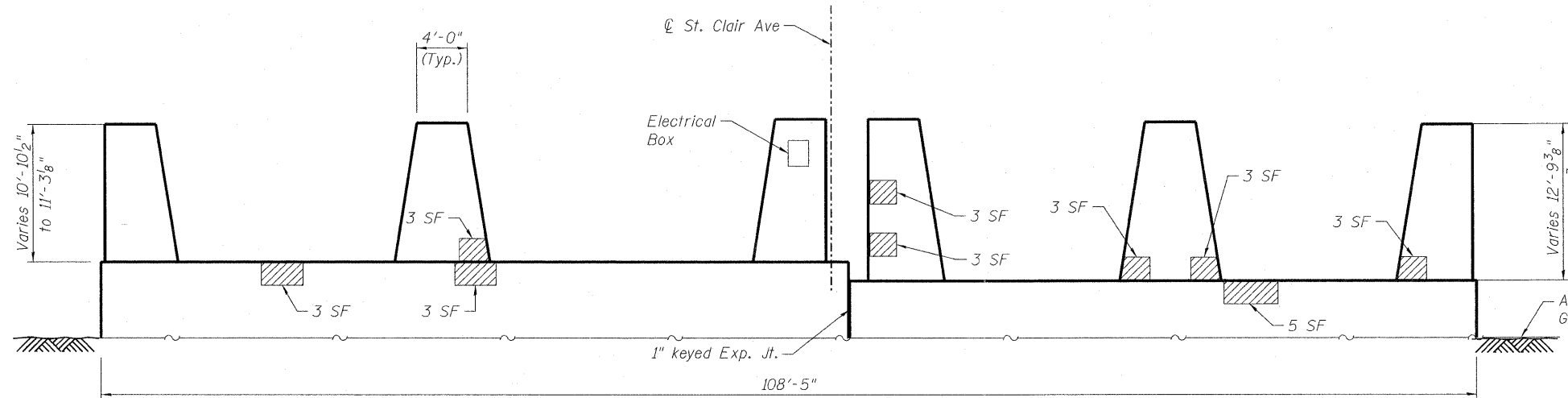


STATE OF ILLINOIS  
DEPARTMENT OF TRANSPORTATION

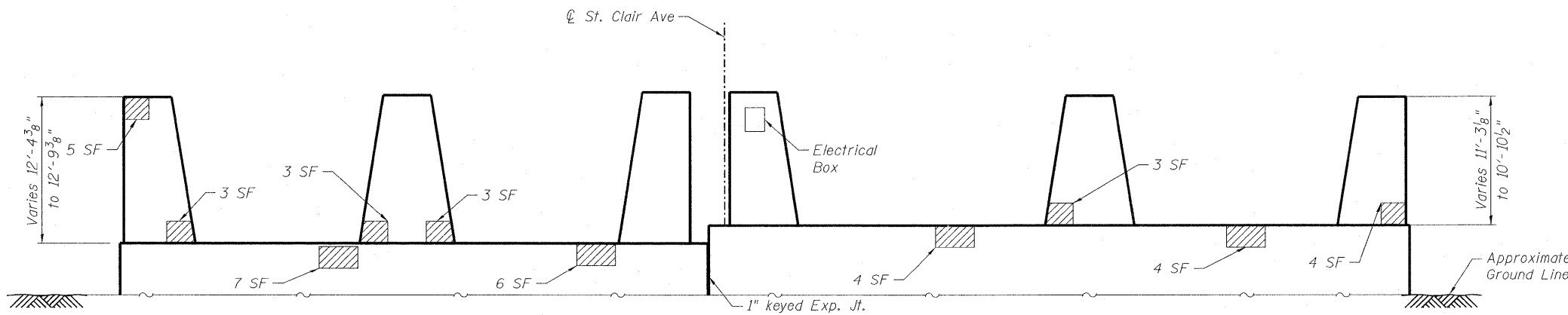


PLAN



ELEVATION-NORTH FACE

(Looking South)



ELEVATION-SOUTH FACE

(Looking North)

BILL OF MATERIAL

Item	Unit	Quantity
Structural repair of concrete (depth equal to or less than 5")	Sq Ft	121
Concrete Sealer	Sq Ft	2,583

LEGEND

Area of structural repair of concrete (depth equal to or less than 5")

END VIEW

(West Face)

END VIEW

(East Face)

NOTES:

- Deck and Superstructure not shown for clarity.
- The Contractor is advised that conduit, luminaries and electrical boxes are attached to the center pier. The Contractor shall protect the electrical equipment from damage. If removed to make repairs the Contractor shall reinstall the equipment. Cost included with Structural Repair of Concrete.
- Concrete Sealer shall be applied to vertical faces of pier columns and exposed horizontal and vertical faces of crash wall.

PIER REPAIR  
STRUCTURE NO. 082-0099

DESIGNED - WLB
CHECKED - EJO
DRAWN - JHR
CHECKED - EJO

SHEET NO. S18 S20 SHEETS	F.A.I. RTE.	SECTION	COUNTY	TOTAL SHEETS	SHEET NO.
	64	82-1-3HB, 82-2N, 82-1-12RS	ST. CLAIR	352	256
	F.A.U. 9166 / F.A.U. 9180		CONTRACT NO. 76C51		
FED. ROAD DIST. NO.		ILLINOIS	FED. AID PROJECT		