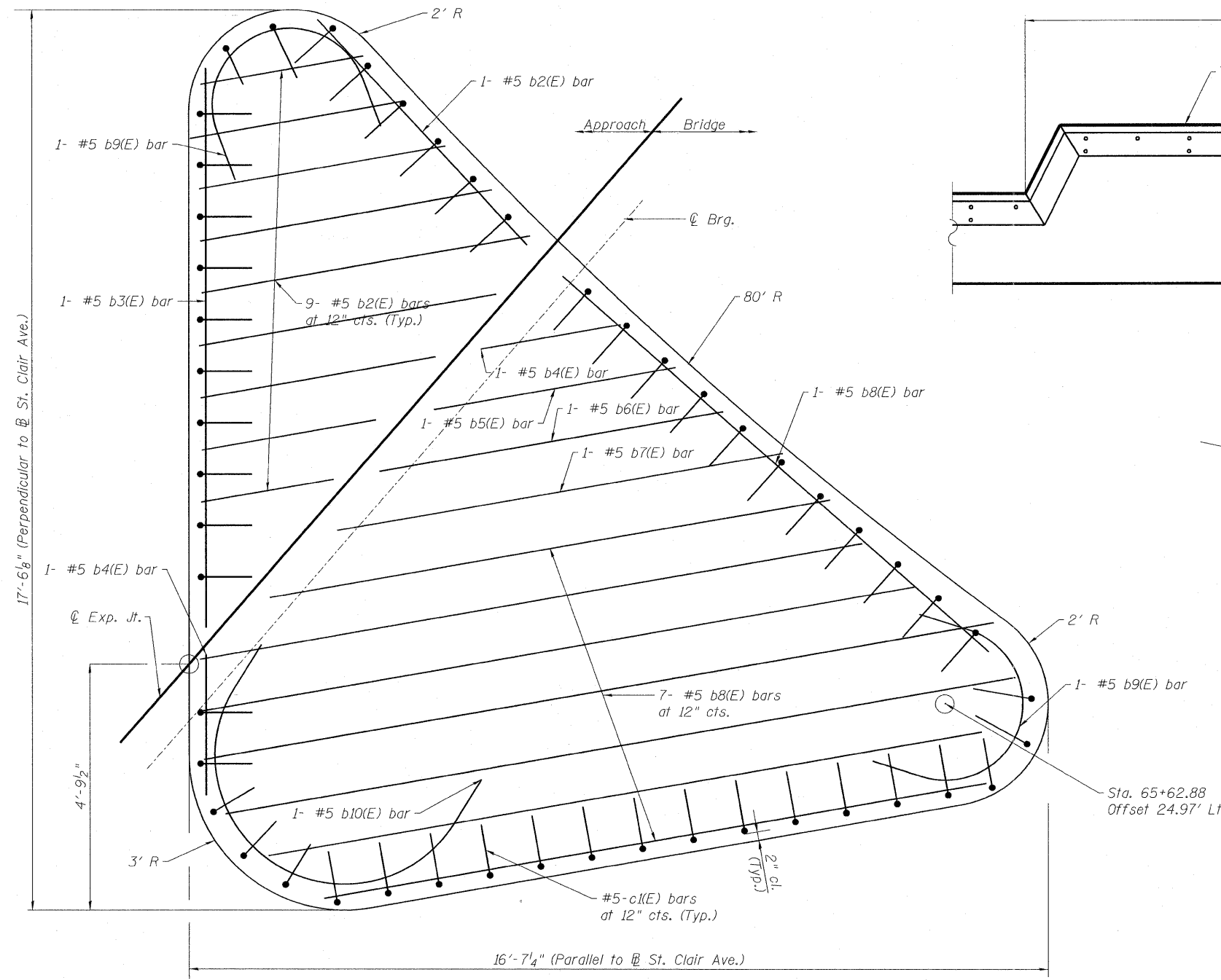
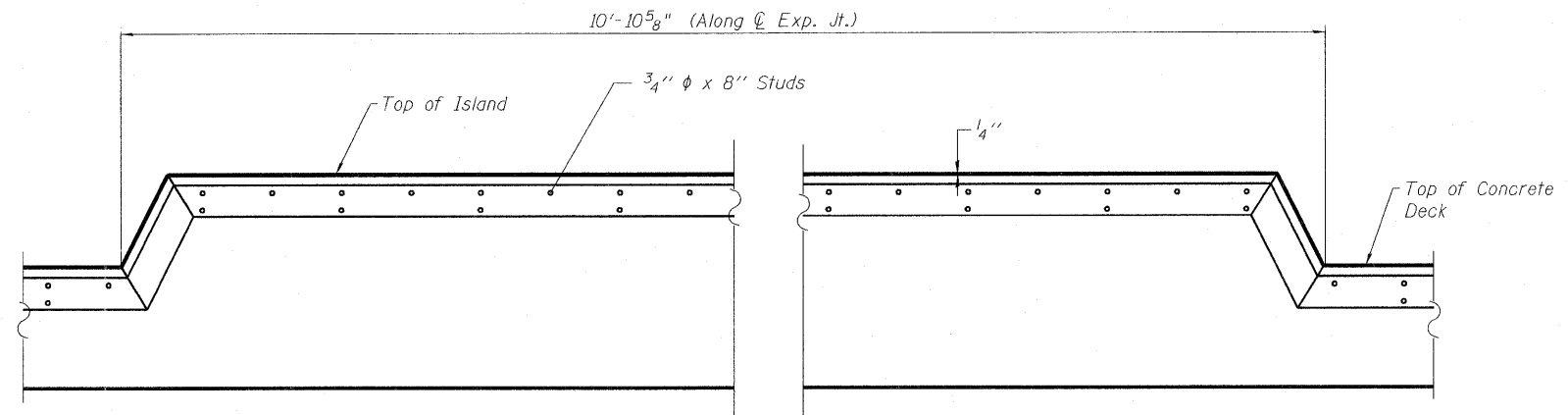


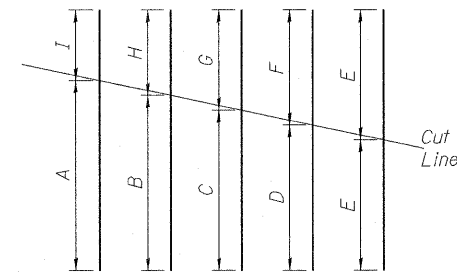
STATE OF ILLINOIS
DEPARTMENT OF TRANSPORTATION



SPPLITTER ISLAND PLAN

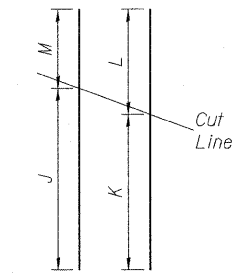


EXPANSION JOINT DETAIL



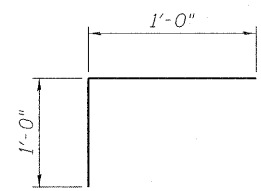
b2(E) CUT DIAGRAM

Segment	Length
A	6'-6"
B	6'-0"
C	5'-6"
D	5'-0"
E	4'-6"
F	4'-0"
G	3'-6"
H	3'-0"
I	2'-6"

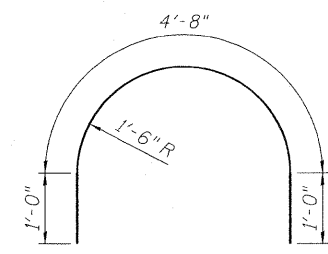


b8(E) CUT DIAGRAM

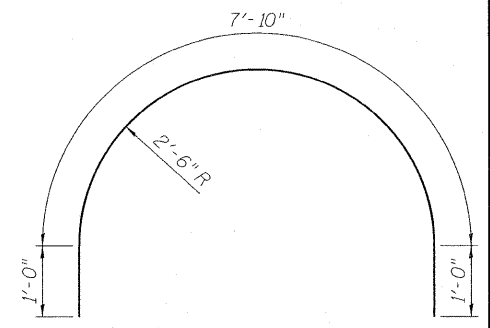
Segment	Length
J	15'-6"
K	13'-6"
L	13'-0"
M	11'-0"



BAR c1(E)



BAR b9(E)

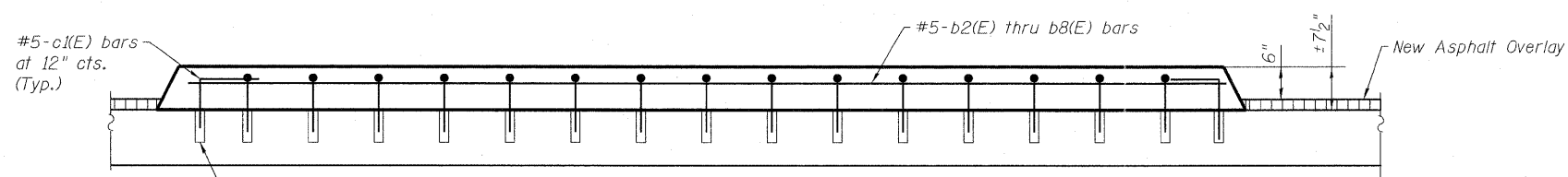


BAR b10(E)

BILL OF MATERIAL

Bar	No.	Size	Length	Shape
b2(E)	5	#5	9'-0"	—
b3(E)	1	#5	10'-9"	—
b4(E)	2	#5	2'-9"	—
b5(E)	1	#5	4'-9"	—
b6(E)	1	#5	6'-9"	—
b7(E)	1	#5	8'-9"	—
b8(E)	4	#5	26'-6"	—
b9(E)	2	#5	6'-8"	U
b10(E)	1	#5	9'-10"	U
c1(E)	50	#5	2'-0"	L

Item	Unit	Quantity
Reinforcement Bars, Epoxy Coated	Pound	330
Concrete Superstructure	Cu. Yd.	5.0



SPPLITTER ISLAND SECTION

* Drill & Grout 6" deep for c1(E) bars (Typ.)

* Epoxy grouting to be done in accordance with Art. 584 of the Standard Specifications.

NOTES:

1. Installation of Preformed Joint Strip shall follow guidelines on sheets S12 and S13
2. Proposed Splitter Island shall be installed as part of Stage II Construction.
3. Cost of Drill & Grout included in Reinforcement Bars, Epoxy Coated.

**SPPLITTER ISLAND DETAILS
STRUCTURE NO. 082-0099**

DESIGNED - DEV
CHECKED - ATB
DRAWN - JHR
CHECKED - ATB

SHEET NO.	F.A.I. RTE.	SECTION	COUNTY	TOTAL SHEETS	SHEET NO.
S20	64	82-1-3HB, 82-2N, 82-1-12RS	ST. CLAIR	352	257A
S20 SHEETS	F.A.U. 9166 / F.A.U. 9180		CONTRACT NO. 76C51		
FED. ROAD DIST. NO.		ILLINOIS	FED. AID PROJECT		