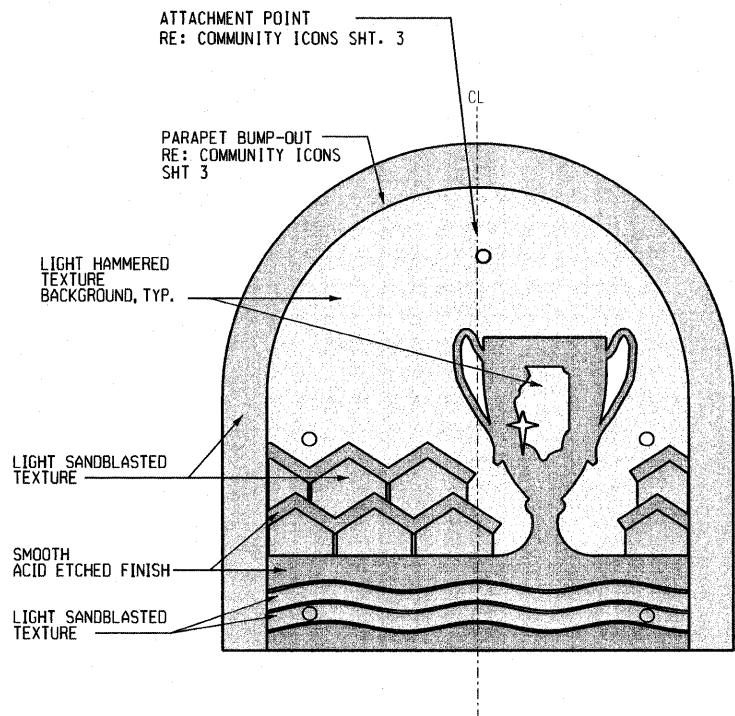
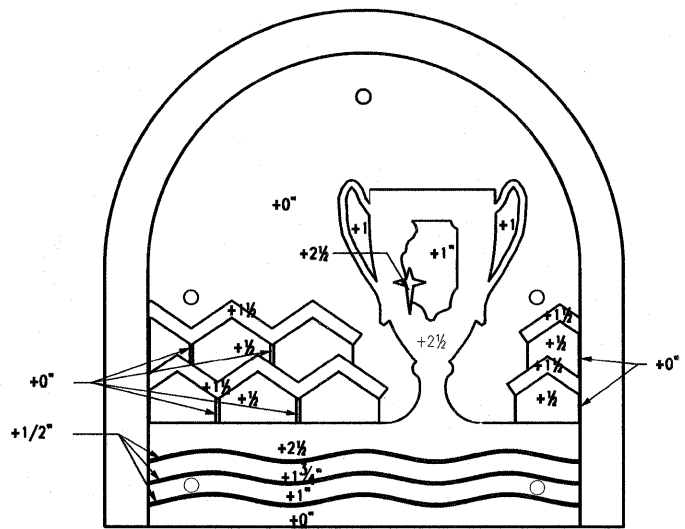


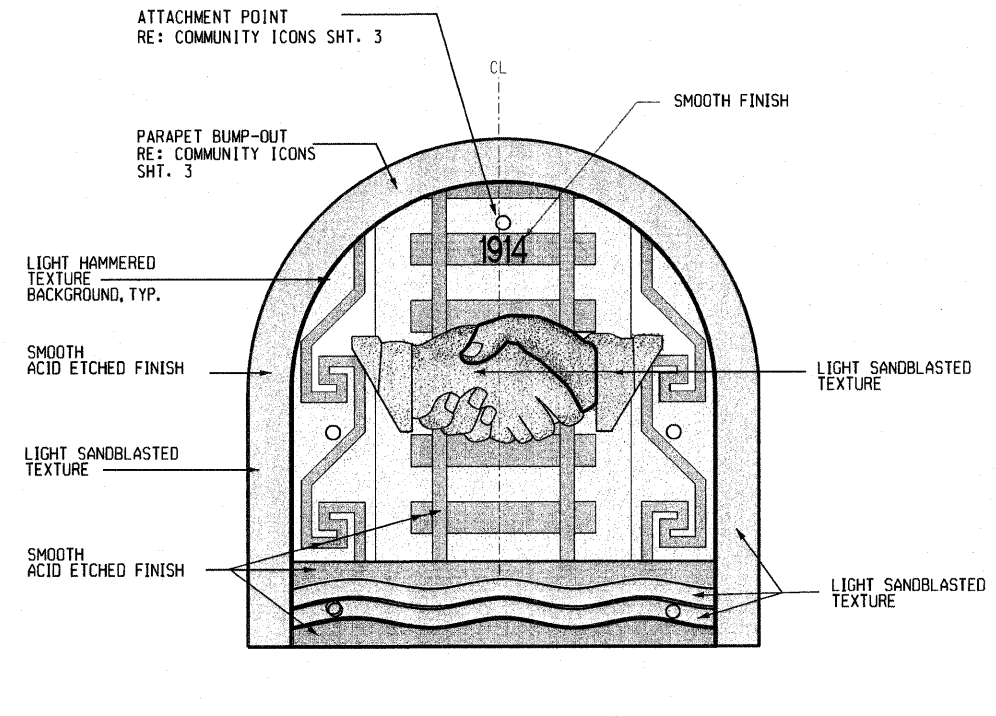
- NOTE:**
1. VERIFY ALL DIMENSIONS AS PART OF FINAL DESIGN DETAILING.
 2. DIMENSIONS SHOWN FOR PANEL ATTACHMENT ANCHORS ARE APPROXIMATE. FINAL SIZE, TYPE, NUMBER AND LOCATIONS OF STAINLESS STEEL ANCHORS TO BE COORDINATED WITH LAYOUT OF ICON IMAGE AS PART OF PANEL PRECAST MANUFACTURER'S ENGINEERED SHOP DRAWING.
 3. RELIEF FOR ICON PANELS ARE REFERENCED IN INCHES WITH "0" EQUAL TO 4" PANEL THICKNESS- ALL RELIEF IS IN OFFSET, LEVEL PLANES EXCEPT AS NOTED BELOW
 - A. HAND AND CUP SILHOUETTES TO BE SCULPTED (ROUNDED FORM) RATHER THAN OFFSET LEVEL PLANE
 - B. STAR SIDES TO BE ANGLED FROM EDGES TO HIGH POINTS AT CENTER OF RAYS RATHER THAN OFFSET LEVEL PLANES
 4. CAD FILE OF 2-D ICON LINE DRAWINGS WILL BE PROVIDED TO FORM LINER FABRICATOR FOR PRODUCING THE MASTER MOLD.
 5. PROVIDE MULTI-USE FORM LINERS AND THE NUMBER OF PANELS OF EACH ICON DESIGN AS NOTED BELOW TO IDOT DISTRICT 8 FOR STORAGE AT LOCATION DETERMINED BY IDOT (BOWMAN YARD)
 - PANEL B- PROVIDE 6 PANELS FOR INSTALLATION AND 1 PANEL FOR EXTRA INVENTORY.
 - PANEL C- PROVIDE 2 PANELS FOR INSTALLATION AND 1 PANEL FOR EXTRA INVENTORY.
 6. VERIFY IN FIELD DIMENSIONS FOR ALL PARAPET BUMP-OUTS (ICON PANEL OPENINGS) PRIOR TO FABRICATION OF ICON PANELS.



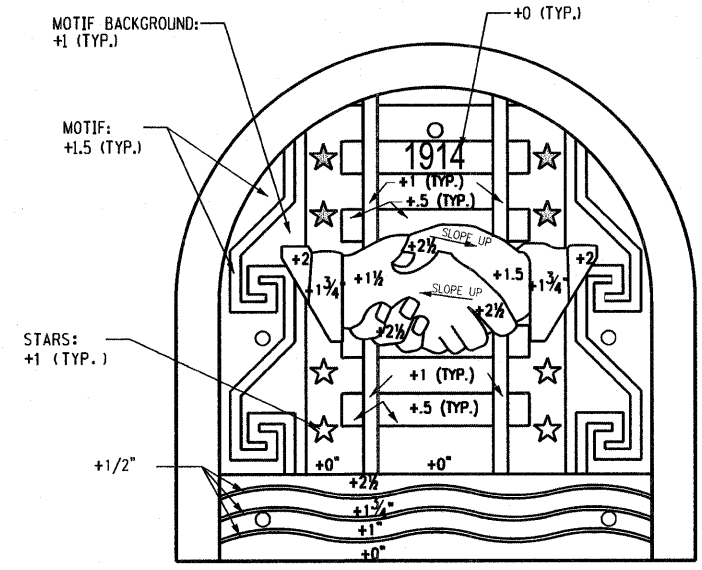
1
2 **Icon Design- Panel B- East St. Louis, IL**
Front Elevation
N.T.S.
INSTALL 2 EACH @ SN #082-0326
INSTALL 2 EACH @ SN #082-0377
INSTALL 2 EACH @ SN #082-0378
PROVIDE 1 EACH TO DISTRICT AS SPARE



3
2 **Icon Design- Panel B- East St. Louis, IL**
Relief Offset Elevations
N.T.S.



2
2 **Icon Design- Panel C- Fairmont City, IL**
Front Elevation
N.T.S.
INSTALL 2 EACH @ SN #082-0328
PROVIDE 1 EACH TO DISTRICT AS SPARE



4
2 **Icon Design- Panel C- Fairmont City, IL**
Relief Offset Elevations
N.T.S.

Community Icon Panel Applicable to Gateway Bridges

FILE NAME = D8TR1-76C51-Mainline_Details 02.dgn	USER NAME = sear-sb	DESIGNED	REVISED -	STATE OF ILLINOIS DEPARTMENT OF TRANSPORTATION	COMMUNITY ICON DETAILS	F.A. RTE.	SECTION	COUNTY	TOTAL SHEETS	SHEET NO.
		DRAWN MR	REVISED -			•	82-1-3HB, 82-2N, 82-1-12RS	ST. CLAIR	352	259
		CHECKED DBM	REVISED -			•	9166/9180/9213/9214			CONTRACT NO. 76C51
		DATE 03/03/2011	REVISED -				FED. ROAD DIST. NO. [ILLINOIS] FED. AID PROJECT			
						SCALE: NONE	SHEET NO. 2 OF 3 SHEETS	STA.		TO STA.