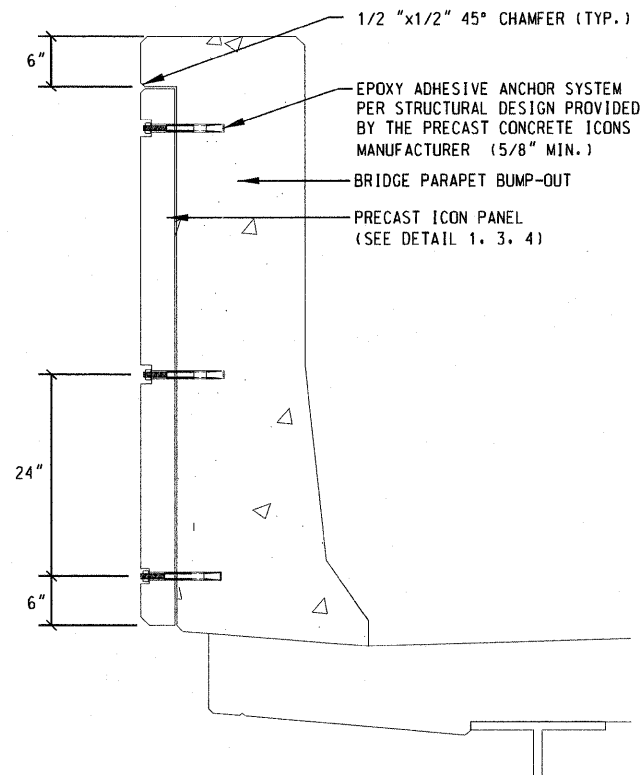
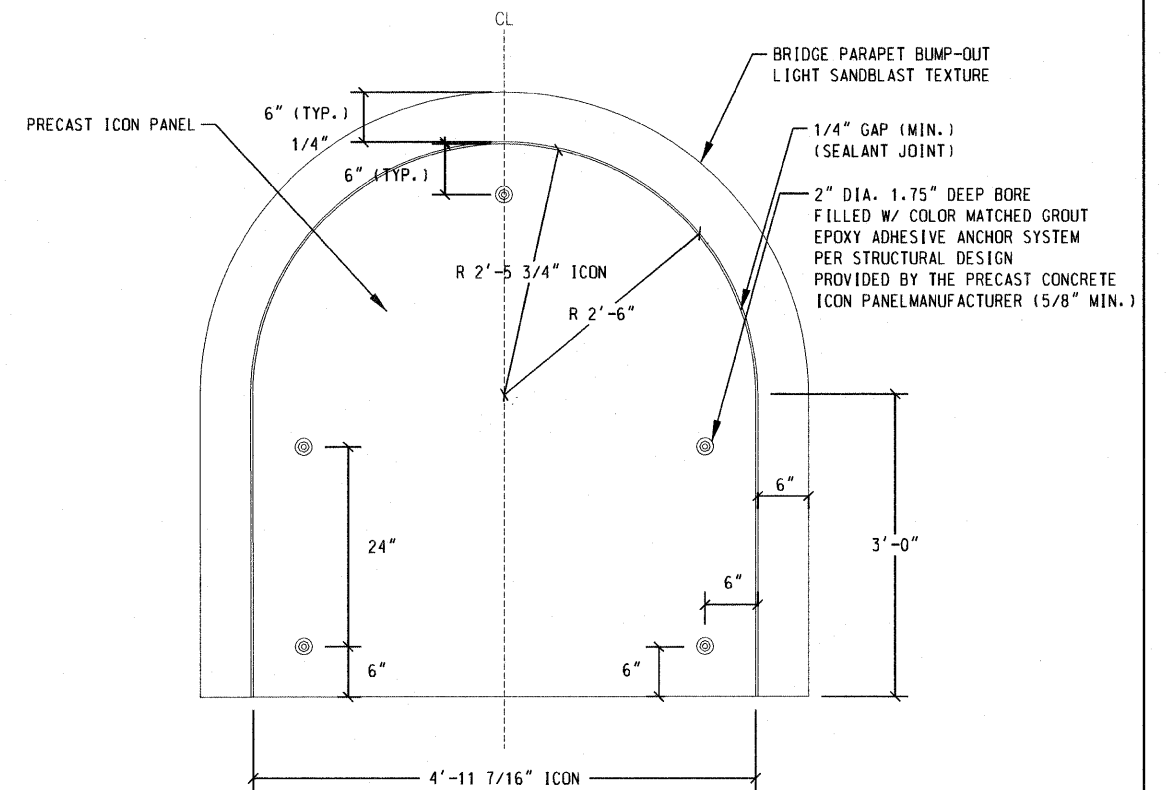


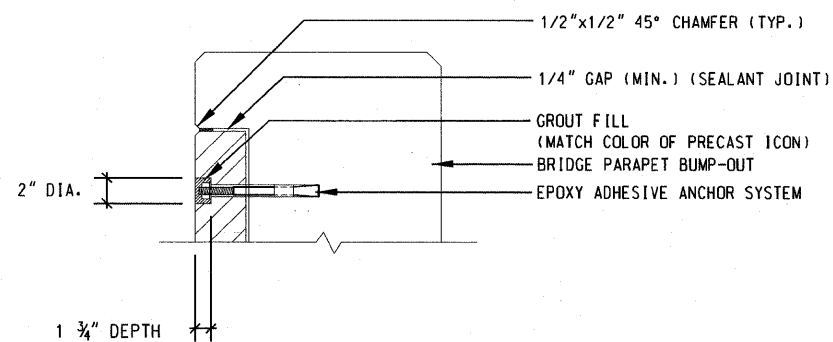
1 Icon Detail - Isometric View
3 N.T.S.



2 Icon Detail - Parapet Section
3 N.T.S.



3 Icon Detail - Parapet Elevation
3 N.T.S.



4 Icon Detail - Chamfer
3 N.T.S.

NOTE:

VERIFY ALL DIMENSIONS AS PART OF FINAL DESIGN DETAILING.

DIMENSIONS SHOWN FOR PANEL ATTACHMENT ANCHORS ARE APPROXIMATE. FINAL SIZE, TYPE, NUMBER AND LOCATIONS OF STAINLESS STEEL ANCHORS TO BE COORDINATED WITH LAYOUT OF ICON IMAGE AS PART OF PANEL PRECASTER'S ENGINEERED SHOP DRAWING.

Community Icon Panel Applicable to Gateway Bridges

FILE NAME = DBTRI-76C51-Mainline Details 03.dgn	USER NAME = sear-sb	DESIGNED	REVISED -	STATE OF ILLINOIS DEPARTMENT OF TRANSPORTATION	COMMUNITY ICON DETAILS			F.A. RTE.	SECTION	COUNTY	TOTAL SHEETS	SHEET NO.
		DRAWN MR	REVISED -					• 82-1-3HB, 82-2N, 82-1-12RS	ST. CLAIR	352	260	
		CHECKED DBM	REVISED -		• 9166/9180/9213/9214	CONTRACT NO. 76C51						
		DATE 03/31/2011	REVISED -		FED. ROAD DIST. NO. [ILLINOIS] FED. AID PROJECT							
				SCALE: NONE	SHEET NO. 3 OF 3 SHEETS	STA.	TO STA.					