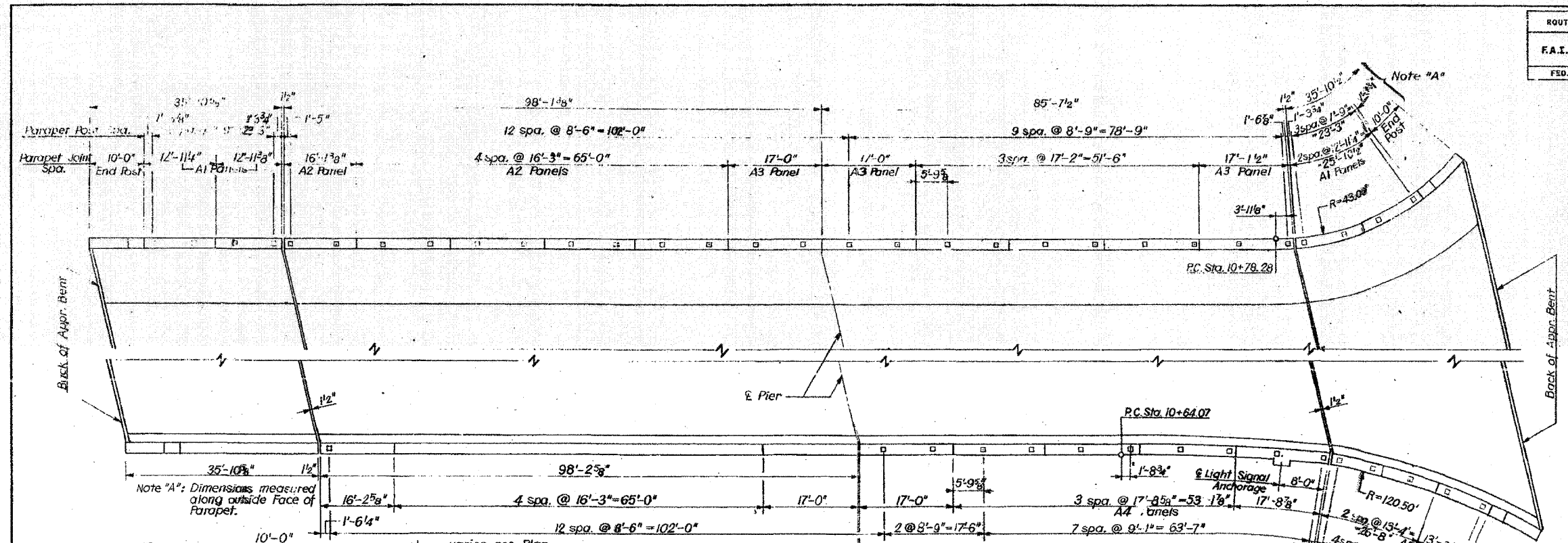


FOR INFORMATION ONLY

ROUTE NO.	SECTION	COUNTY	TOTAL SHEETS	SHEET NO.
F.A.I.-64	82-1HB	ST. CLAIR	110	63
FED. ROAD DIV. NO. 4	ILLINOIS	PROJECT		



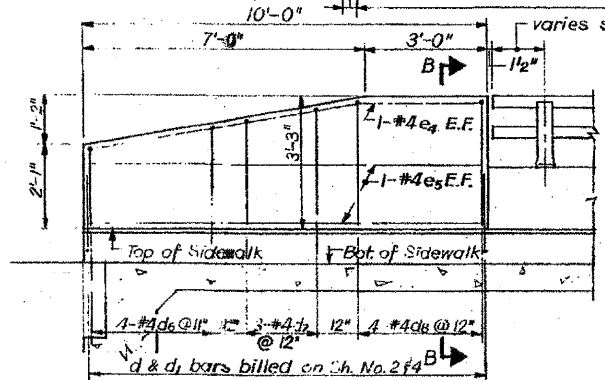
LOCATION OF PANEL REINFORCEMENT

Panel	No. Panels	Bar	No. Bars*
A1	6	e ₁	24
A2	10	e ₁	40
A3	8	e ₂	32
A4	4	e ₃	16
A5	3	e ₆	12

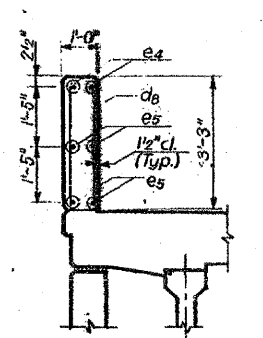
PARAPETS & RAILS BILL OF MATERIAL

Bar	No.	Size	Length	Shape
d ₅	122	#4	2-1	□
d ₆	6	#4	4-7	□
d ₇	14	#4	5-9	□
d ₈	8	#4	6-9	□
d ₉	8	#4	3-9	□
d ₁₀	6	#4	5-1	□
e	24	#4	12-9	—
e ₁	40	#4	15-11	—
e ₂	32	#4	16-10	—
e ₃	16	#4	17-5	—
e ₄	8	#4	9-10	—
e ₅	15	#4	9-9	—
e ₆	12	#4	13-0	—
r	2	#5	4-3	□
Class X Concrete			Cu. Yds.	24.0
Reinforcement Bars			Lbs.	1,760
Aluminum Railing			Lin. Ft.	487

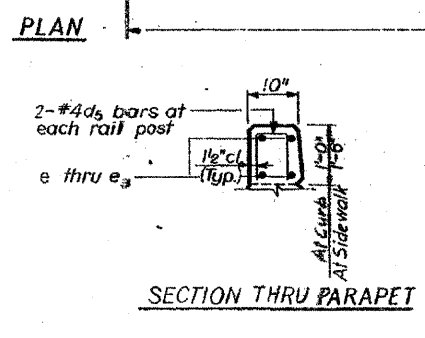
*2 bars E.F. for Each Panel



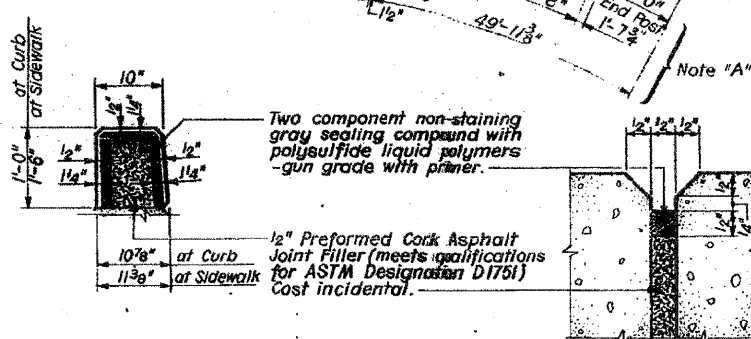
END POST DETAIL AT SIDEWALK (2 Req'd)



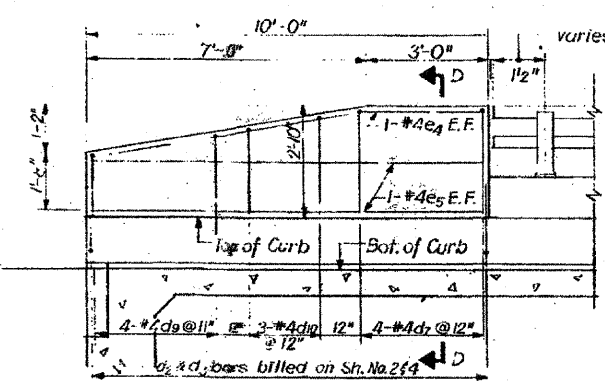
SECTION B-B



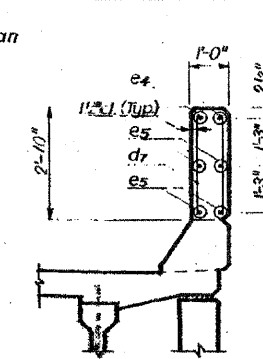
SECTION THRU PARAPET



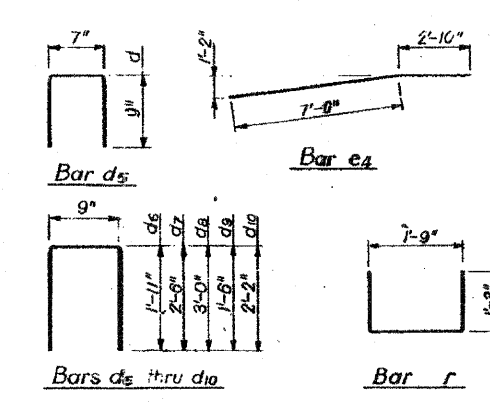
PARAPET JOINT DETAIL



END POST DETAIL AT CURB (2 Req'd)



SECTION D-D



DESIGNED BY: H.N.
DRAWN BY: B.B.
CHECKED BY: H.N. & V.B.

STATE OF ILLINOIS
DIVISION OF HIGHWAYS
ALUMINUM RAILING
F.A. ROUTE 12 (9TH STREET)
OVER F.A.I. ROUTE 64
STATION 55+62.20
F.A.I. RT. 64 ST. CLAIR COUNTY SECTION 82-1HB
H. W. LOCHNER, INC.
ENGINEERS
CHICAGO, ILLINOIS
SHEET
6 OF 18