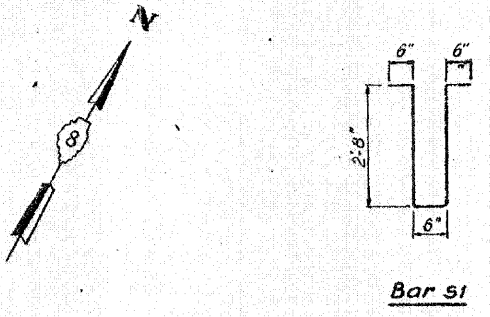
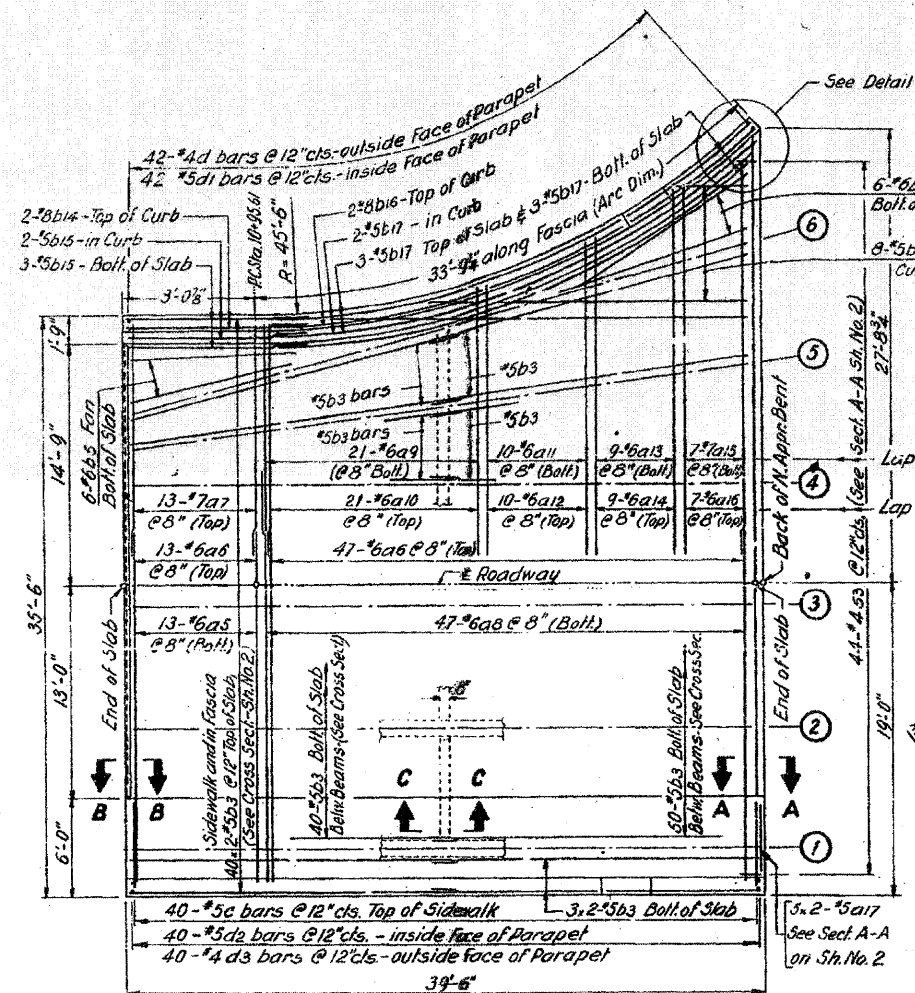


FOR INFORMATION ONLY

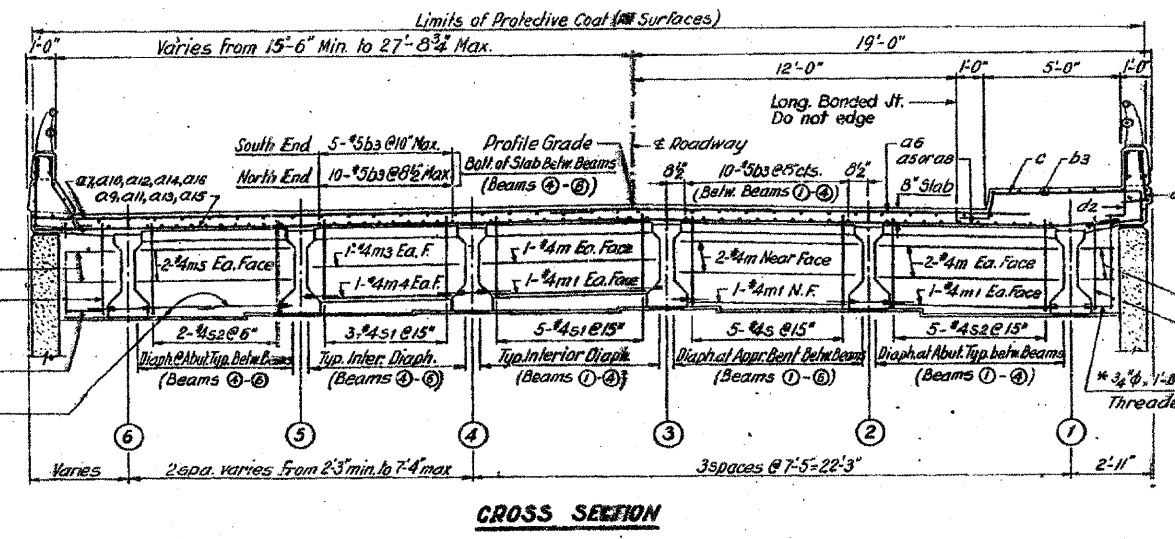
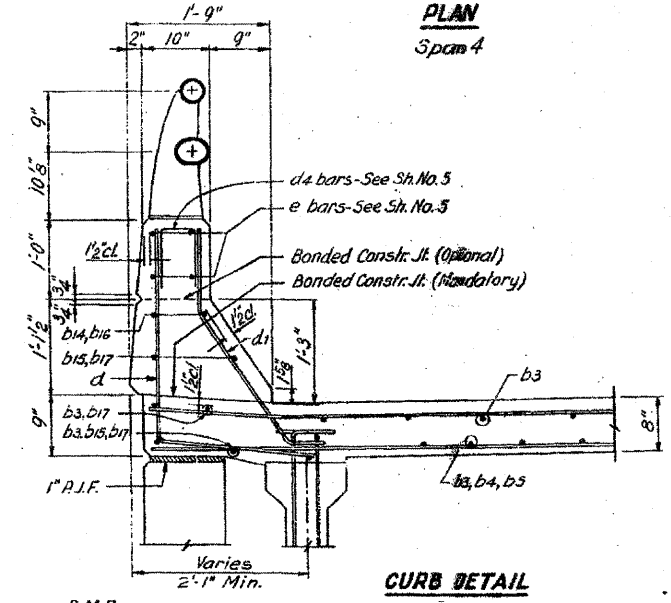
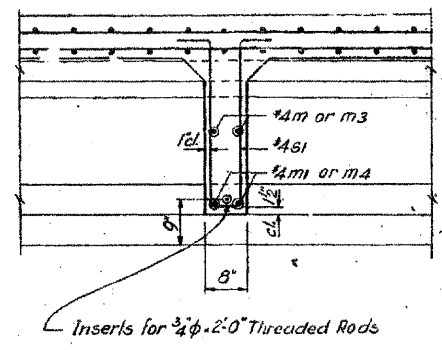
ROUTE NO.	SECTION	COUNTY	TOTAL SHEETS	SHEET NO.
F.A.I. - 64	82-1HB	ST. CLAIR	110	80
FED. ROAD DIV. NO. 4		ILLINOIS PROJECT		



NOTE:
For Sections A-A and B-B see sheet No. 2
For Sidewalk Details and additional Notes see Sheet No. 2
For Bar details not shown see sheet No. 2

BILL OF MATERIAL

Bar No.	Size	Length	Shape
a5	13	#6	34'-0"
a6	60	#6	17'-9"
a7	13	#7	14'-6"
a8	47	#6	24'-11"
a9	21	#6	12'-9"
a10	21	#6	16'-6"
a11	10	#6	15'-6"
a12	10	#6	19'-3"
a13	9	#6	18'-6"
a14	9	#6	22'-3"
a15	7	#7	21'-3"
a16	7	#6	25'-9"
a17	10	#5	22'-9"
b3	184	#5	20'-1"
b4	6	#6	12'-0"
b5	6	#6	10'-0"
b14	2	#8	11'-0"
b15	5	#5	11'-0"
b16	2	#8	32'-7"
b17	8	#5	32'-7"
c	40	#5	10'-4"
d	42	#4	4'-5"
d1	42	#5	3'-5"
d2	40	#5	3'-4"
d3	40	#4	2'-6"
m	28	#4	6'-8"
m1	17	#4	5'-8"
m2	6	#4	1'-3"
m3	9	#4	3'-9"
m4	6	#4	3'-3"
m5	8	#4	1'-8"
m6	2	#4	4'-3"
s	30	#4	8'-4"
s1	21	#4	6'-10"
s2	24	#4	8'-5"
s3	44	#4	3'-6"
Item Unit Total			
Reinforcement Bars	Lbs.	13,480	
Class X Concrete	Cu. Yds.	60.6	
Protective Coat	Sq. Yds.	182	



STATE OF ILLINOIS
DIVISION OF HIGHWAYS
SUPERSTRUCTURE
SPAN 4
F.A. ROUTE 12 (10TH STREET)
OVER F.A.I. ROUTE 64
STATION 58+17.87
F.A.I. RT. 64 ST. CLAIR CO. SECTION 82-1HB
H. W. LOCHNER, INC.
ENGINEERS
CHICAGO, ILLINOIS

DESIGNED BY: R.M.R.
DRAWN BY: L.S.
CHECKED BY: R.M.R.

Rev. 2-18-69 Revert From 13,440' to 13,480' SM