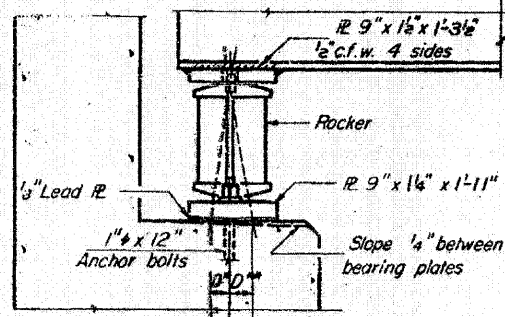
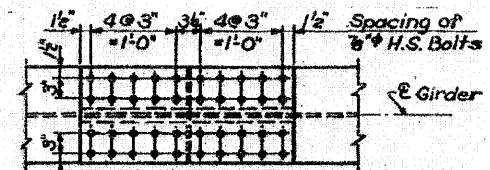


FOR INFORMATION ONLY

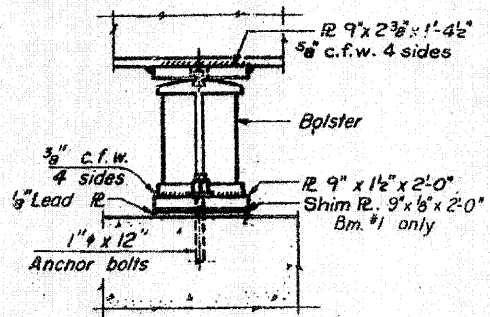
ROUTE NO.	SECTION	COUNTY	TOTAL SHEETS	SHEET NO.
F.A.I. - 64	82-1HB	ST. CLAIR	110	88
FED. ROAD DIV. NO. 4		ILLINOIS PROJECT		



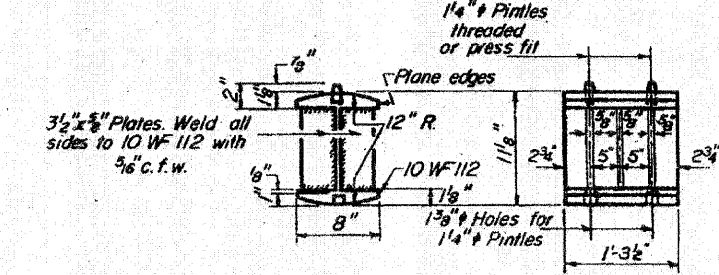
SECTION



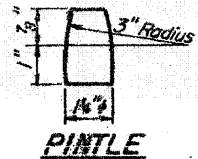
PLAN (Top & Boff. Plates)



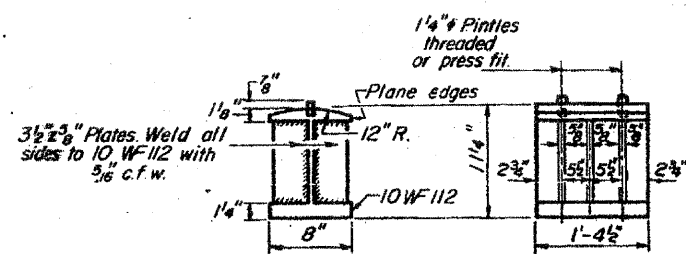
ELEVATION



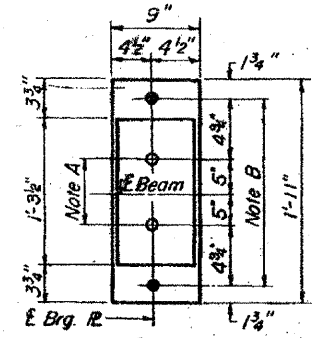
ROCKER



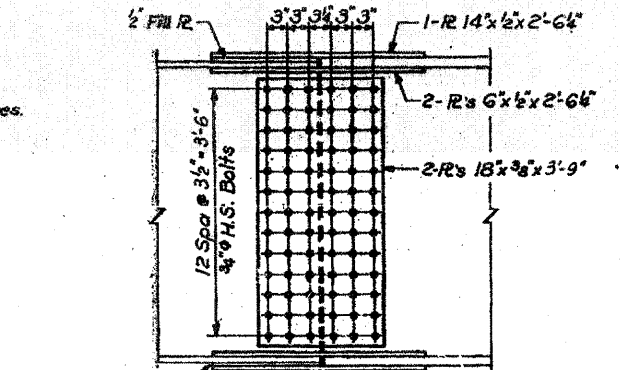
PINTLE



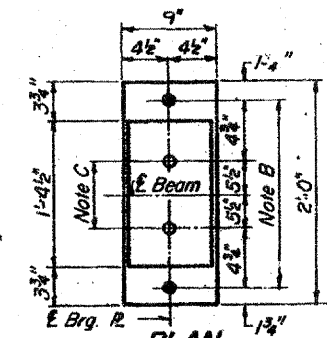
BOLSTER



AT ABUTMENT



ELEVATION FIELD SPLICE #1 & #2



AT PIER

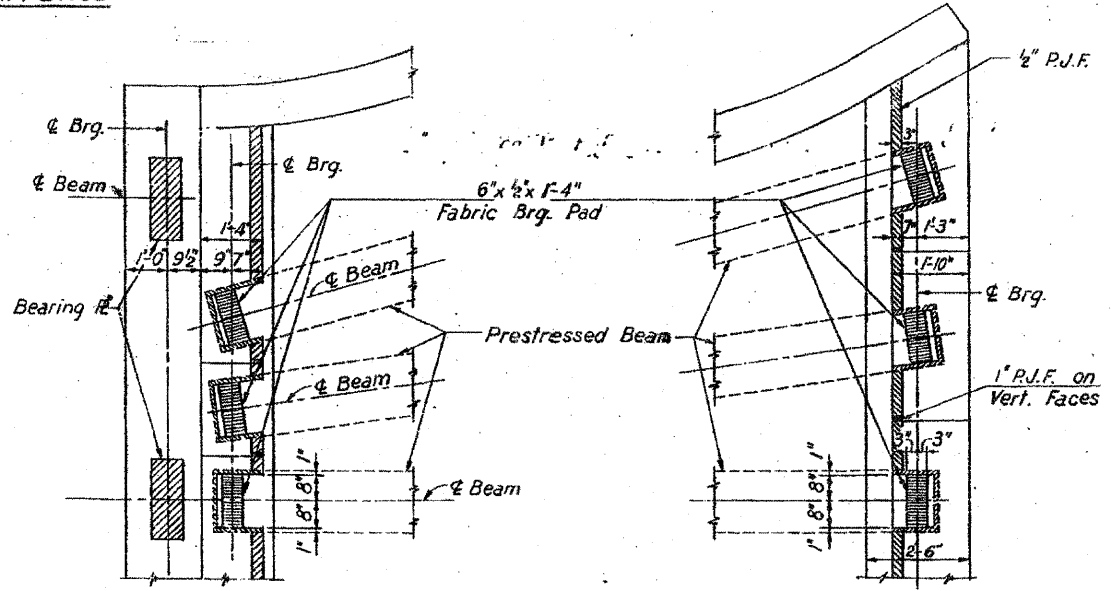
NOTE A
1 3/8" Holes - 1" deep in top R for pintles. Thread or press fit pintles into bottom R.

NOTE B
1 1/2" Holes for 1" anchor bolts. 2 1/2 x 2 1/2 x 5/8 R Washers under nut.

NOTE C
1 3/8" Holes 1" deep in top R only for 1 1/4" pintles.

NOTES ON SETTING OF ANCHOR BOLTS AT EXP. BRGS

- a) D* (Side of brg. away from fixed brg.)
D* = 1/8" per each 100' of expansion for every 15° fall below the normal temp. of 50°F.
D** (Side of brg. toward fixed brg.)
D** = 1/8" per each 100' of expansion for every 15° rise above the normal temp. of 50°F.
- b) After beams have been erected and dimensions D* or D** determined, holes shall be drilled and anchor bolts shall be grouted in place. All fixed anchor bolts may be built into the masonry.



AT ABUTMENT

AT APPROACH BENT

PLAN

TOP OF BEAM ELEVATIONS (Spans 1 & 4)

	Girder 1	Girder 2	Girder 3	Girder 4	Girder 5	Girder 6
⊕ Brg. S. Appr. Bent	415.47	415.54	415.66	415.58	415.46	—
⊕ Brg. S. Abut.	415.86	415.92	416.04	415.96	415.85	—
⊕ Brg. N. Abut.	417.17	417.24	417.36	417.28	417.25	417.21
⊕ Brg. N. Appr. Bent	417.42	417.49	417.61	417.53	417.41	417.30

DESIGNED BY: R.M.R.
DRAWN BY: T.L.
CHECKED BY: S.F.

STATE OF ILLINOIS
DIVISION OF HIGHWAYS
BEARING DETAILS
F.A. ROUTE 12 (10TH STREET)
OVER F.A.I. ROUTE 64
STATION 56+17.87
F.A.I. RT. 64 ST. CLAIR CO. SECTION 82-1HB
H. W. LOCHNER, INC.
ENGINEERS
CHICAGO, ILLINOIS
SHEET 11 of 18