

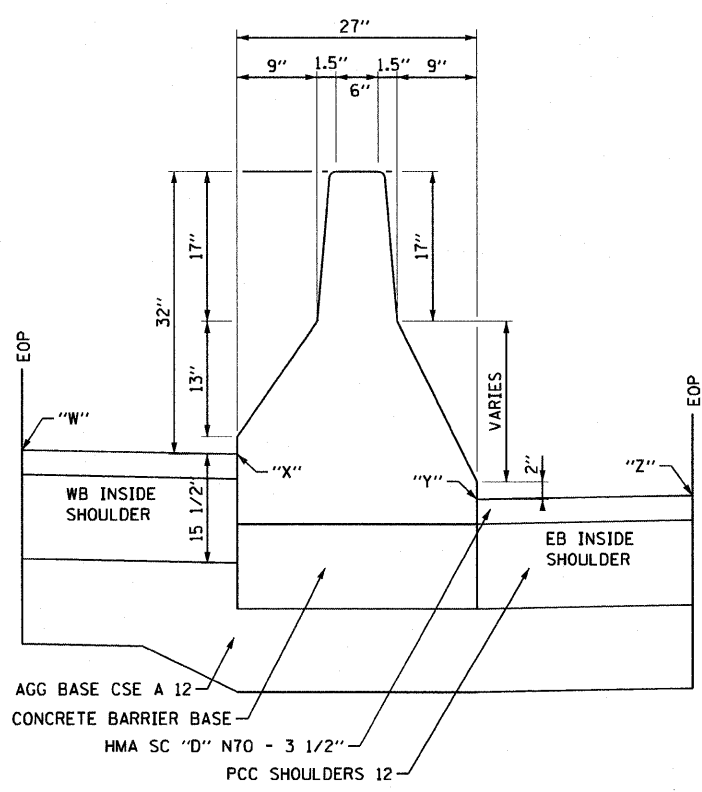
PLAN

GENERAL NOTES

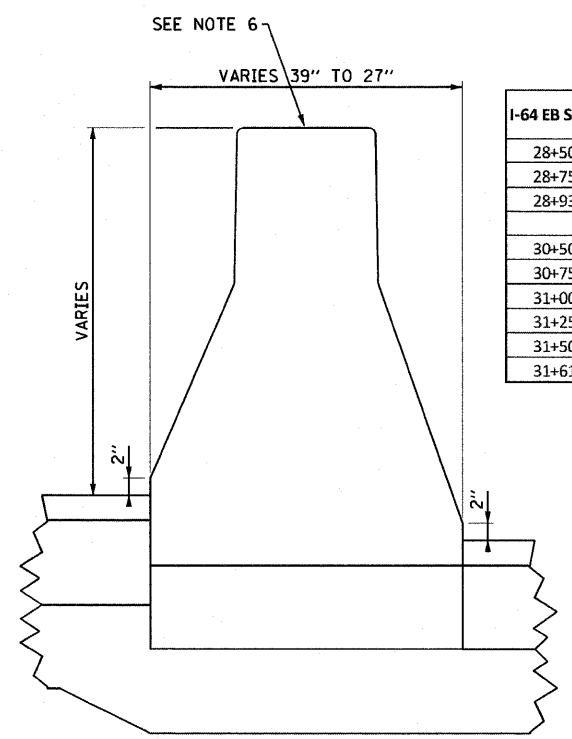
1. REINFORCING STEEL SHALL EXTEND CONTINUOUS THROUGH CONSTRUCTION JOINTS. AT JOINTS WITH EXISTING BARRIER WALL TO REMAIN, SEE STANDARD 637001-04 FOR JOINT DETAILS.
2. EXPANSION JOINTS SHOWN ON THIS DRAWING SHALL BE PREFORMED JOINT MATERIAL (BITUMINOUS TYPE) FILLER SHALL MEET AASHTO DESIGNATION M-33.
3. ALL REINFORCING STEEL SHALL BE GRADE 40 OR GRADE 60 MEETING THE REQUIREMENTS OF AASHTO M31 OR ASTM A615.
4. ALL WORK DETAILED HEREIN SHALL BE INCLUDED IN THE COST OF THE VARIOUS CONCRETE BARRIER PAY ITEMS.
5. PREFORMED JOINT FILLER SHALL BE INCLUDED IN THE COST OF THE CONCRETE BARRIER TRANSITION.
6. THE TOP OF BARRIER TRANSITION VARIES FROM TOP OF PIER CRASH WALL TO TOP OF CONCRETE BARRIER, SPECIAL, 32" HEIGHT
7. "W" & "Z" ARE EXISTING ELEVATIONS AND THE CONTRACTOR SHALL FIELD VERIFY THESE ELEVATIONS AND MATCH EXISTING CONDITION IF ANY DISREPCENCIES EXIST.

**CONCRETE BARRIER, SPECIAL, 32" HEIGHT
EOP AND EOS OFFSETS AND ELEVATIONS**

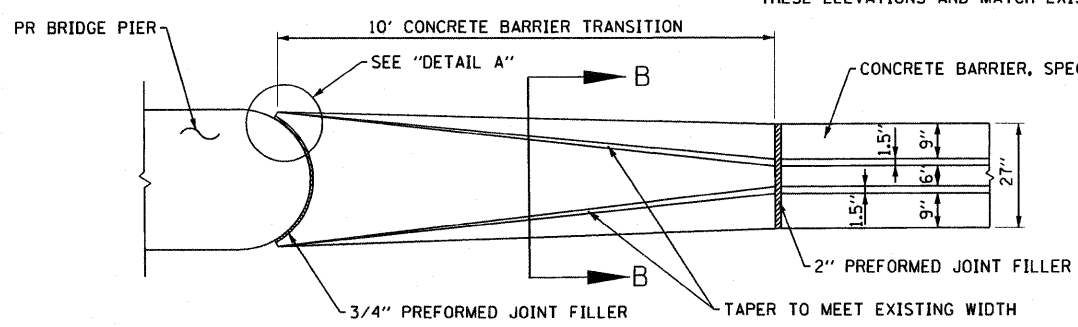
I-64 EB Station	W		X		Y		Z	
	EL.	O/S	EL.	O/S	EL.	O/S	EL.	O/S
28+50.00	398.74	-31.44	398.21	-18.14	397.55	-15.89	398.05	-3.37
28+75.00	398.15	-31.23	397.68	-19.43	397.24	-17.18	397.78	-3.57
28+93.19	397.79	-30.77	397.36	-20.08	397.00	-17.83	397.58	-3.42
30+50.00	396.31	-30.26	395.77	-16.65	395.82	-14.40	396.31	-2.25
30+75.00	396.41	-30.26	395.86	-16.51	395.87	-14.26	396.36	-2.10
31+00.00	396.53	-30.26	395.97	-16.36	395.93	-14.11	396.42	-1.95
31+25.00	396.70	-30.23	396.14	-16.21	395.99	-13.96	396.48	-1.80
31+50.00	396.88	-30.28	396.31	-16.07	396.04	-13.82	396.52	-1.76
31+61.98	396.97	-30.35	396.40	-16.00	396.05	-13.75	396.53	-1.85



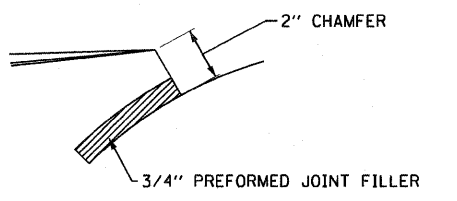
**SECTION A-A
CONCRETE BARRIER, SPECIAL,
32" HEIGHT DETAIL**



**SECTION B-B
CONCRETE BARRIER
TRANSITION DETAIL**



**DOUBLE FACE CONCRETE BARRIER
TRANSITION TO BRIDGE PIER**



DETAIL A