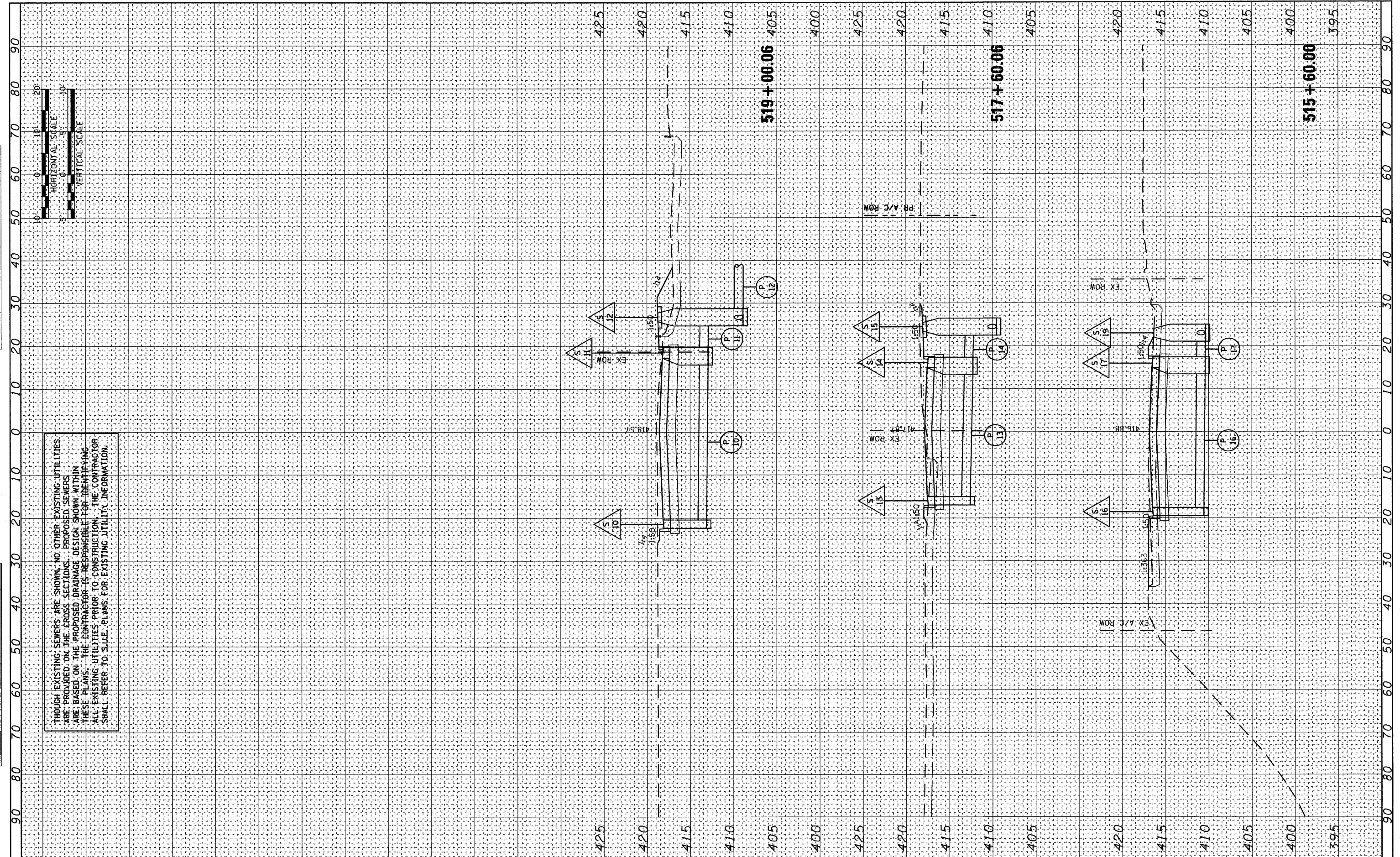
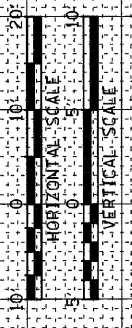


FINAL SURVEY	BY	DATE
PLOTTED		
NOTE BOOK		
AREAS CHECKED		
NO.		

ORIGINAL SURVEY	BY	DATE
PLOTTED		
NOTE BOOK		
AREAS CHECKED		
NO.		

THOUGH EXISTING SEWERS ARE SHOWN, NO OTHER EXISTING UTILITIES ARE PROVIDED ON THE CROSS SECTIONS. PROPOSED SEWERS ARE BASED ON THE PROPOSED DRAINAGE DESIGN SHOWN WITHIN THESE PLANS. THE CONTRACTOR IS RESPONSIBLE FOR IDENTIFYING ALL EXISTING UTILITIES PRIOR TO CONSTRUCTION. THE CONTRACTOR SHALL REFER TO SUEE PLANS FOR EXISTING UTILITY INFORMATION.



FILE NAME = DBTRI-76C51-shr-xs-drn-04.dgn
 USER NAME = jlt
 MODEL NAME = Baugh-xs-drainage-sheet-01
 PLOT SCALE = 1:20
 PLOT DATE = 6/8/2011

DESIGNED	- LDC	REVISED	-
DRAWN	- JDF	REVISED	-
CHECKED	- GEB	REVISED	-
DATE	- 03/31/11	REVISED	-

**STATE OF ILLINOIS
DEPARTMENT OF TRANSPORTATION**

BAUGH AVENUE DRAINAGE CROSS SECTIONS

SCALE: 1"=10' SHEET NO. 4 OF 10 SHEETS STA. 515+60.00 TO STA. 519+00.06

F.A.J. RTE.	SECTION	COUNTY	TOTAL SHEETS	SHEET NO.
	82-1-3HB, 82-2N, 82-1-12RS	ST. CLAIR	352	333
	FAI 64/9166/9180	CONTRACT NO. 76C51		
FED. ROAD DIST. NO.	ILLINOIS FED. AID PROJECT			

P:\08-0030 CTE TRI\LEVEL\900.CAD\901_DRAWING\08.CONTRACT\SHEET\CIVIL\CROSSSECTIONS\DBTRI-76C51-SHR-XS-DRN-04.DGN