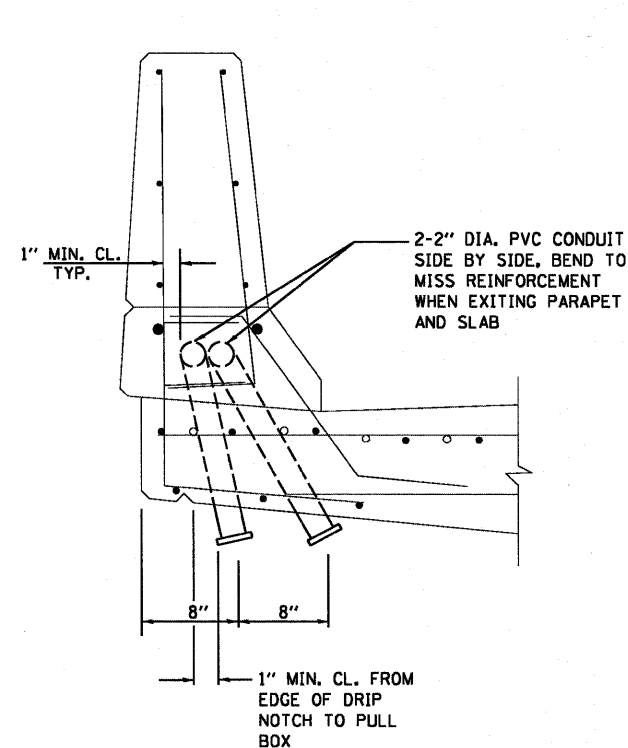
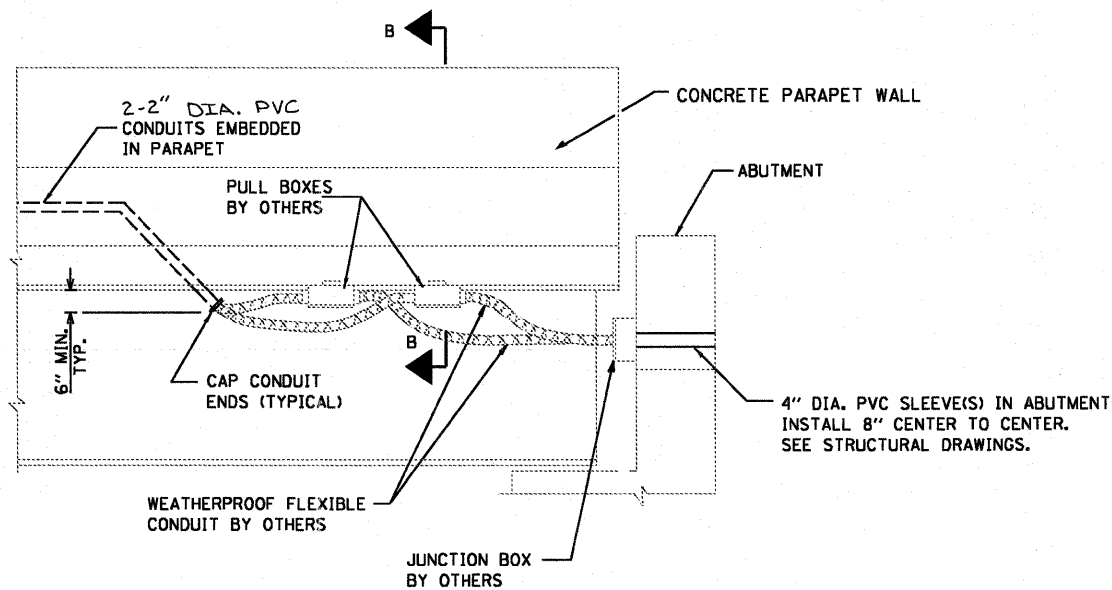


**NOTES:**

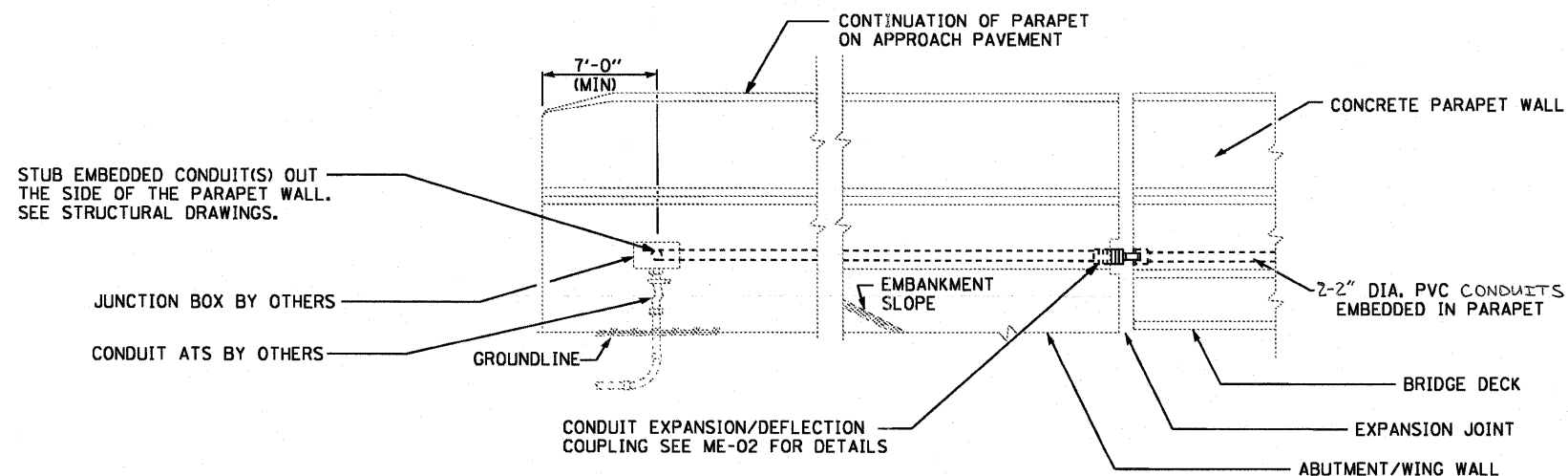
1. SEE DRAWING ME-01 FOR ELECTRICAL SYMBOLS AND ABBREVIATIONS.
2. SEE DRAWING ME-02 FOR ADDITIONAL CONDUIT INSTALLATION DETAILS.
3. SEE DRAWING ME-04 FOR CONDUIT TERMINATION AND ROUTING PLANS AT ABUTMENTS.



**VIEW B-B**



**CONDUIT TERMINATION DETAILS AT ABUTMENTS WITH CONDUIT SLEEVES**



**CONDUIT TERMINATION DETAILS AT ABUTMENTS WITH EXPANSION/DEFLECTION FITTING**

ME-03

USER NAME = lentsz	DESIGNED WDS	REVISED -	<b>STATE OF ILLINOIS DEPARTMENT OF TRANSPORTATION</b>	<b>CONDUIT INSTALLATION DETAILS</b>		F.A.I. RTE. 64/998	SECTION 82-1-B-2	COUNTY ST. CLAIR	TOTAL SHEETS 399	SHEET NO. 96
PLOT SCALE = 2.0000" / in.	CHECKED JPC	REVISED -				SCALE:	SHEET NO. 2 OF 2 SHEETS	STA. TO STA.	FED. ROAD DIST. NO.	ILLINOIS FED. AID PROJECT
PLOT DATE = 7/1/2011	DATE 07-01-11	REVISED -								