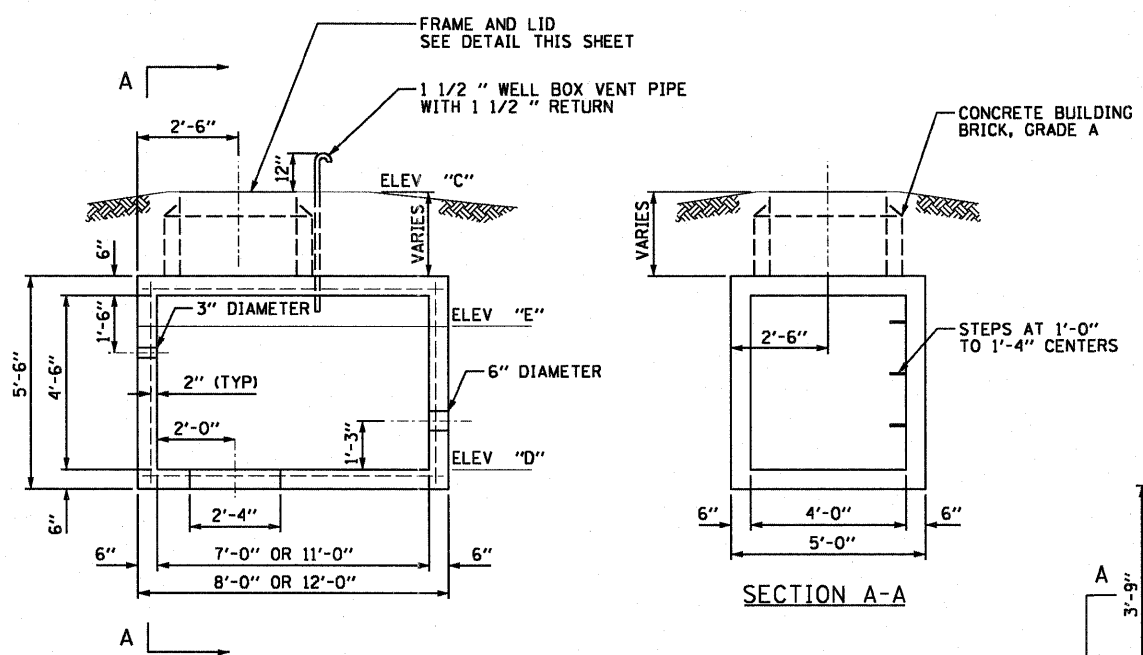
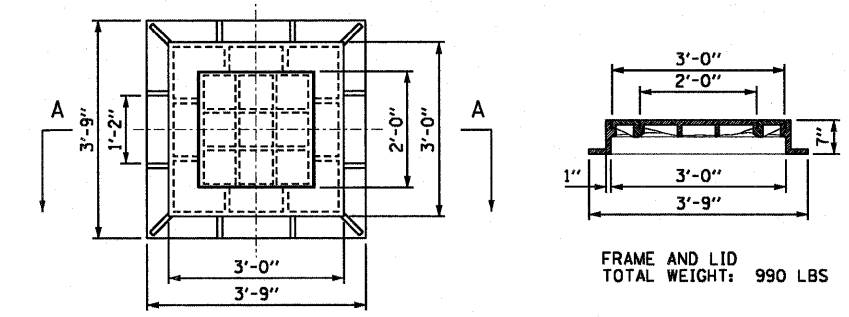


PLAN



SECTION A-A

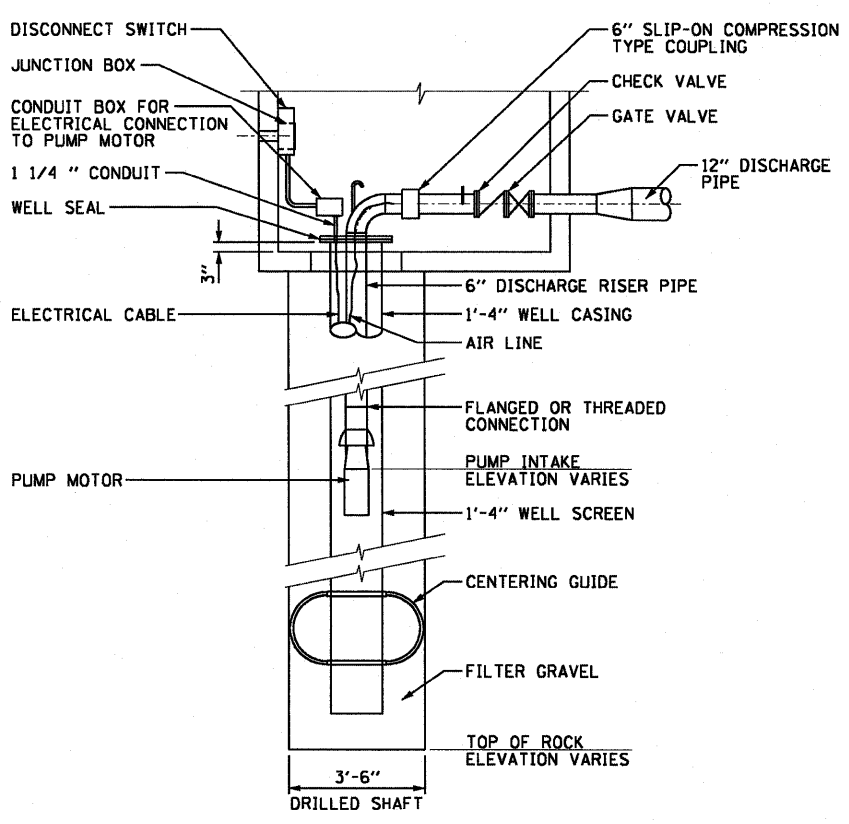
TYPICAL EXISTING WELL ENCLOSURE BOX
(NOT TO SCALE)



PLAN

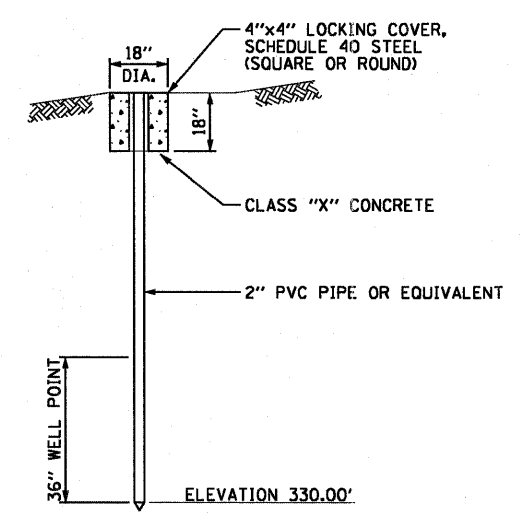
SECTION A-A

TYPICAL EXISTING WELL ENCLOSURE BOX FRAME & LID
(NOT TO SCALE)



SECTION A-A

TYPICAL EXISTING DEEP WELL
(NOT TO SCALE)



TYPICAL EXISTING PIEZOMETER WELL
(NOT TO SCALE)

NOTES:

1. REMOVE THE WELL HEAD AND ASSOCIATED PIPING WITHIN THE WELL ENCLOSURE BOX FOR EACH EXISTING DEEP WELL TO BE FILLED. REFER TO SPECIAL PROVISIONS FOR DEEP WELL SEALING AND FILLING PROCEDURES.
2. FILL THE EXISTING PIEZOMETER WELL LOCATED IN CLOSE PROXIMITY TO EACH EXISTING DEEP WELL TO BE FILLED. REFER TO SPECIAL PROVISIONS FOR PIEZOMETER WELL FILLING PROCEDURES.

EXISTING WELL ENCLOSURE DEMOLITION AND DEEP WELL ABANDONMENT				
WELL NUMBER	ENCLOSURE LID ELEV. "C"	ENCLOSURE FLOOR ELEV. "D"	REMOVAL DEPTH ELEV. "E"	SPECIAL INSTRUCTIONS
WELL NO.1	407.24	-	NONE	EXISTING WELL TO REMAIN
WELL NO.1A	414.56	-	NONE	EXISTING WELL TO REMAIN
WELL NO.2A	413.56	-	NONE	EXISTING WELL TO REMAIN
WELL NO.3A	407.25	-	-	EXISTING WELL TO BE REMOVED IN CONTRACT 76C75 (BY OTHERS)
WELL NO.4	-	-	NONE	EXISTING WELL TO REMAIN
WELL NO.5	-	-	NONE	EXISTING WELL TO REMAIN
WELL NO.6	-	-	NONE	EXISTING WELL TO REMAIN
WELL NO.7A	389.83	-	NONE	EXISTING WELL TO REMAIN
WELL NO.8A	387.11	-	NONE	EXISTING WELL TO REMAIN
WELL NO.9A	407.55	-	COMPLETE	REMOVE WELLHEAD, RISER PIPING, AND WELL ENCLOSURE BOX, AND FILL WELL
WELL NO.10	-	-	-	EXISTING WELL TO BE REMOVED IN CONTRACT 76C75 (BY OTHERS)
WELL NO.11A	-	-	NONE	EXISTING WELL TO REMAIN
WELL NO.12A	-	-	-	EXISTING WELL TO BE REMOVED IN CONTRACT 76C53 (BY OTHERS)
WELL NO.13	-	-	NONE	EXISTING WELL TO REMAIN
WELL NO.14	-	-	NONE	EXISTING WELL TO REMAIN
WELL NO.15	398.43	-	NONE	EXISTING WELL TO REMAIN
WELL NO.2	401.84	-	-	EXISTING WELL TO BE REMOVED IN CONTRACT 76C53 (BY OTHERS)

DW-01

USER NAME = ientzt	DESIGNED JPC	REVISED -	STATE OF ILLINOIS DEPARTMENT OF TRANSPORTATION	DEEP WELL DETAILS EXISTING DEEP WELL		F.A.I. RTE. 64/998	SECTION 82-1-B-2	COUNTY ST. CLAIR	TOTAL SHEETS 399	SHEET NO. 98
PLDT SCALE = 2.0000 / in.	DRAWN TCL	REVISED -		SCALE: NONE	SHEET NO. 1 OF 1 SHEETS	STA. N/A	TO STA. N/A	FED. ROAD DIST. NO. ILLINOIS	FED. AID PROJECT	CONTRACT NO. 76C76
PLDT DATE = 7/1/2011	CHECKED WDS	REVISED -								
	DATE 07-01-2011	REVISED -								

FILE NAME = P:\P6004660\91900_CAD\901_Drawings\76C76_Contract\Sheet\Electrical\NBTRI-76C76-shr-Well-01.dgn