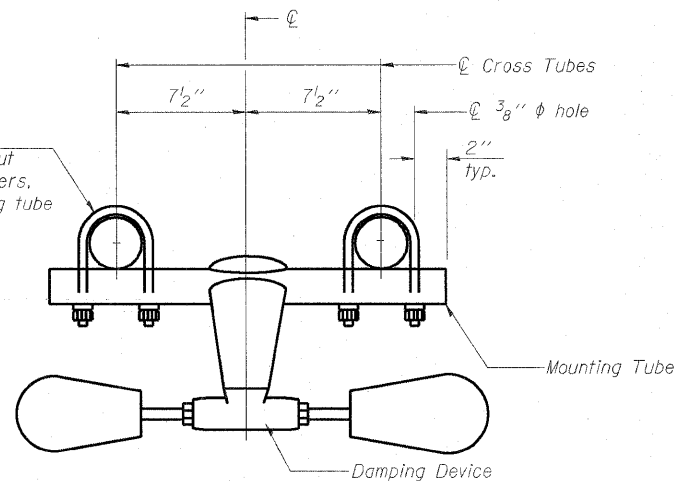
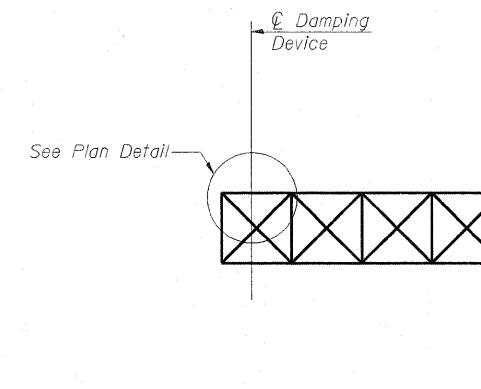


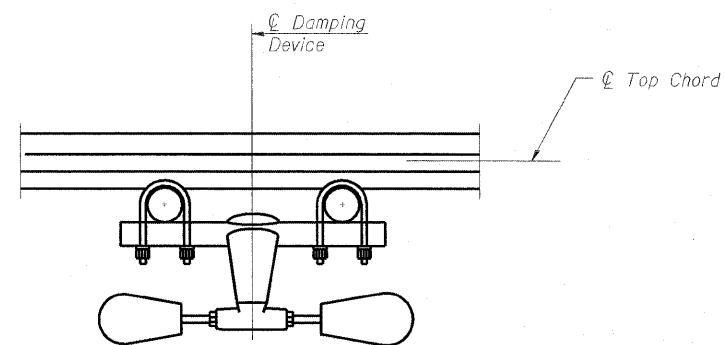
PLAN DETAIL



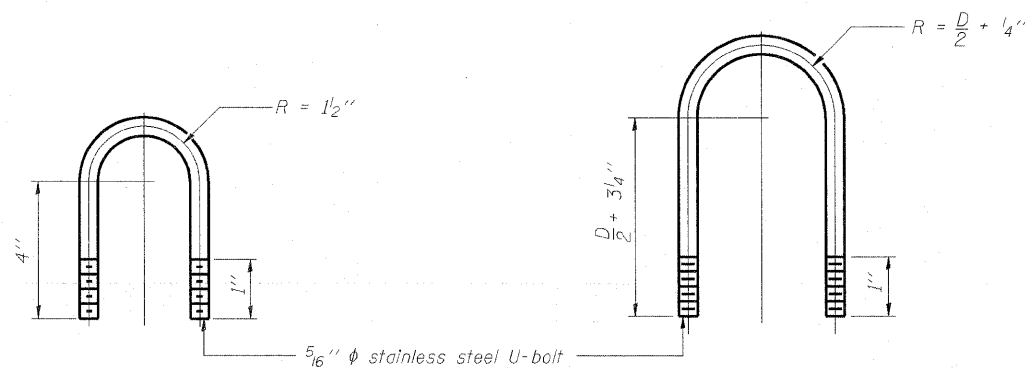
TRUSS DAMPING DEVICE CONNECTION DETAIL



ELEVATION
Aluminum Cantilever Sign Structure



SECTION A-A



DAMPING DEVICE MOUNTING TUBE U-BOLT DETAIL

(Typical)

TOP CHORD TO CROSS TUBE U-BOLT DETAIL

(Typical)

GENERAL NOTES

- Damper: One damper per truss. (31 lbs. Stockbridge-Type Aluminum-29" minimum between ends of weights)
- Materials: Aluminum tubes shall be ASTM B221 alloy 6061 temper T6

OSC-A-D

7-1-10

FILE NAME =	USER NAME = pkissel	DESIGNED	PMK	REVISED	-	STATE OF ILLINOIS DEPARTMENT OF TRANSPORTATION	CANTILEVER SIGN STRUCTURE DAMPING DEVICE		F.A.I. RTE.	SECTION	COUNTY	TOTAL SHEETS	SHEET NO.		
#FILE#		DRAWN	PMK	REVISED	-		SCALE: N/A	SHEET NO. 3 OF 10 SHEETS	STA. N/A	TO STA. N/A	84/998	82-1-B-2	ST. CLAIR	399	117
	PLOT SCALE = 3.3673 "/ IN.	CHECKED	MPW	REVISED	-								CONTRACT NO. 76C76		
	PLOT DATE = 6/13/2011	DATE	07-01-2011	REVISED	-										