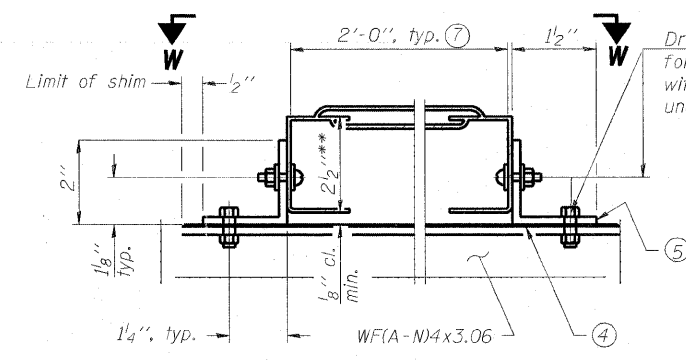
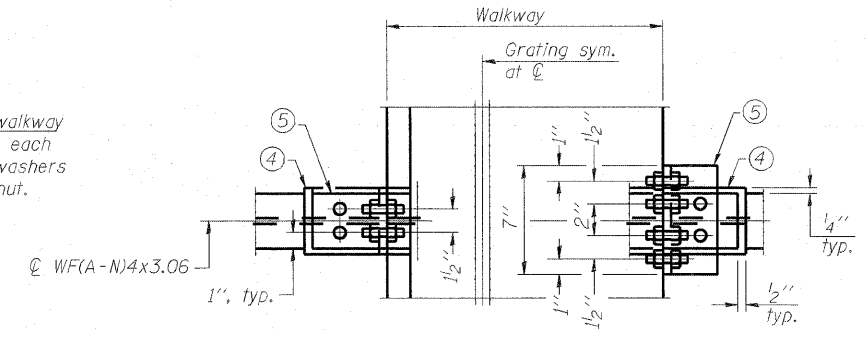


SECTION B-B

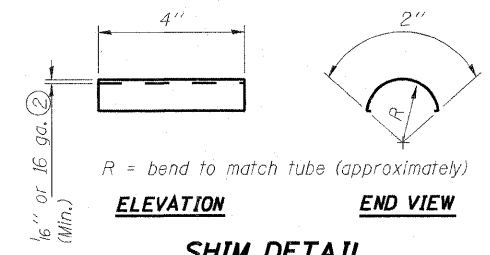
Sign shall be even with the top of the bracket, but it may extend no more than 6" above the top of the bracket for field adjustments.



DETAIL W
GALVANIZED STEEL WALKWAY GRATING



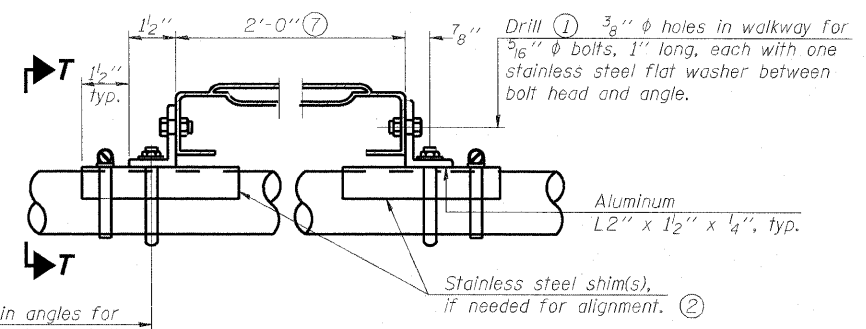
WALKWAY GRATING CONTINUOUS AT WALKWAY GRATING SPLICE



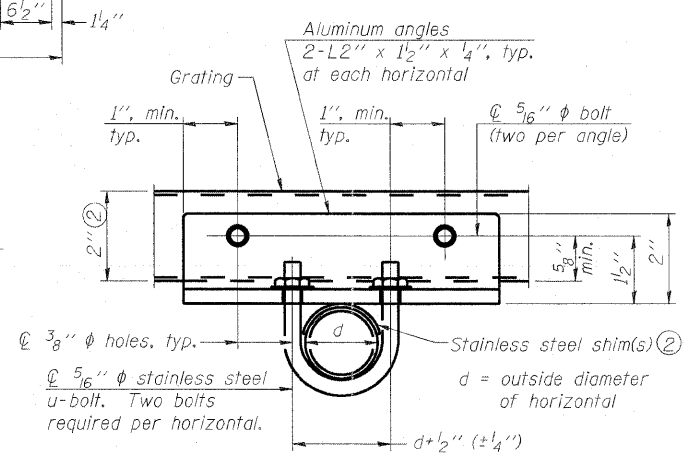
SHIM DETAIL

- ① Drilling holes in grating may be done in shop or field, based on Contractor's preference and subject to accurate alignment.
- ② Stainless steel shims shall be placed under angles at horizontals and horizontal diagonals if needed to compensate for alignment variations and differences in horizontal diagonal pipe sizes beyond adjustment provided by angles. Secure with one stainless steel clamp per location, see "Shim Detail". Thicker shim plates may be used when needed subject to shims performing properly.
- ③ $\frac{1}{8}$ " x $\frac{1}{2}$ " x 2" welded to handrail posts to protect locations that contact grating.
- ④ $\frac{1}{16}$ " (or 16 ga.) x 2 $\frac{1}{2}$ " x 4" stainless steel shim adhered to top of WF(A-N)4x3.06 beneath each galvanized angle, typ. Adhesives for shims shall be suitable for materials joined and full exposure conditions.
- ⑤ Galvanized steel L2" x 2" x $\frac{1}{4}$ ", 3 $\frac{1}{2}$ " long with continuous grating 7" long at grating splice.
- ⑥ Details shown are considered equal alternatives to Aluminum Walkway Details and may be substituted by Contractor at no charge in contract cost.
- ⑦ Perforated or expanded metal grating providing a skid resistant (non-serrated) surface and capable of supporting a 500 pound concentrated load with a 6'-0" clear span. Walkway and truss grating dimensions are nominal and may vary (width $\pm \frac{1}{2}$ ", depth $\frac{1}{2}$ ") based on available standard sizes. Cut ends of grating shall be free of burrs or hazardous projections and coated with zinc-rich primer or equivalent.
- ⑧ Based on actual sign height, Ds. given on OSC-A-1.

Truss Grating: Aluminum plank, 1'-2" wide see Detail T. ⑦

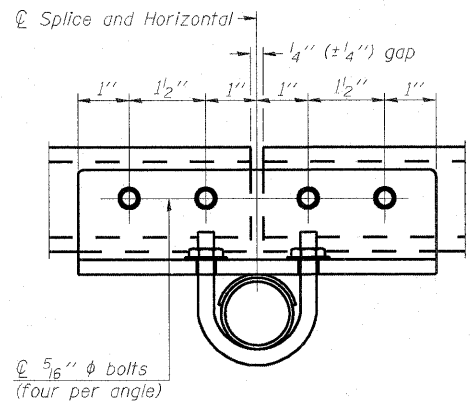


DETAIL T
(Truss grating at horizontal)



SECTION T-T
(Truss Grating Continuous)

ALUMINUM TRUSS GRATING



SECTION T-T
(Truss Grating Splice)

Alternate splice details and locations may be used subject to the Engineer's review and approval.

Structure Number	Station	A	⑧ B	C	⑧ D
BC0821070R002.8	69+42.00	7"	6'-0"	5'-6"	12'-0"

OSC-A-7S

7-1-10