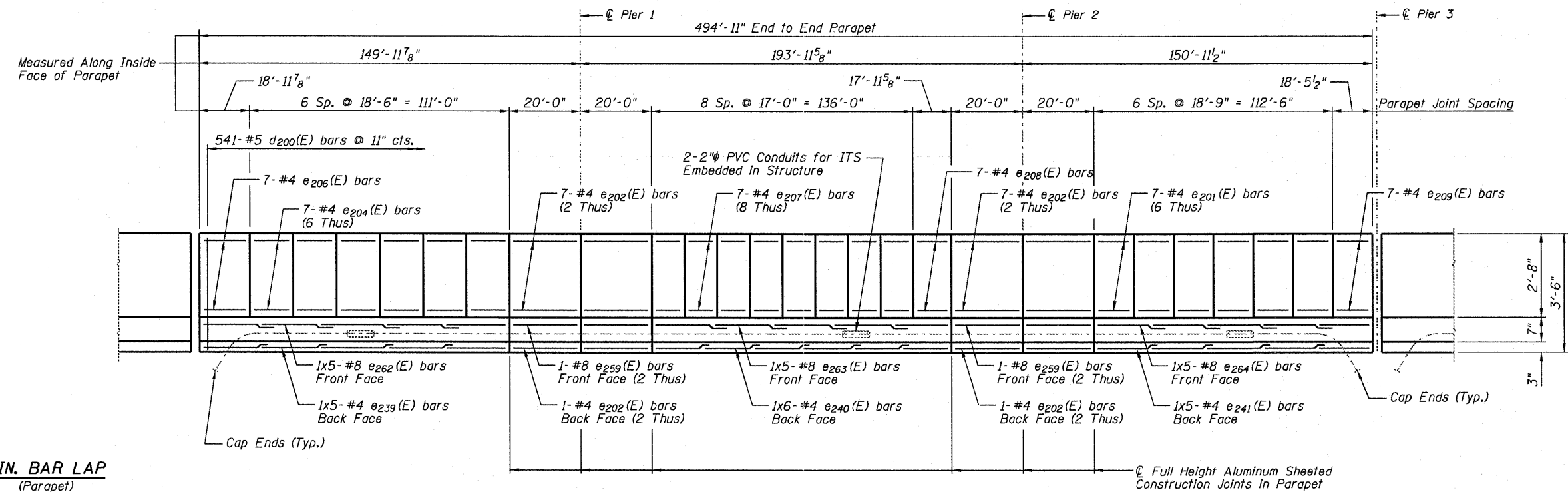


INSIDE ELEVATION OF SOUTH PARAPET



INSIDE ELEVATION OF NORTH PARAPET

MIN. BAR LAP
 (Parapet)
 #4 bar = 2'-0"
 #8 bar = 5'-2"

D:\171-0820322-0820324-76C76-567-Unit1\ParapetElevs-02.dgn

		USER NAME = Scott Whitney	DESIGNED - JLA	REVISED -	STATE OF ILLINOIS DEPARTMENT OF TRANSPORTATION	PARAPET ELEVATIONS - UNIT 1 I-70E OVER I-55, CSX & KCS RAILROADS		F.A.I. RTE. 70	SECTION 82-1-B-2	COUNTY ST. CLAIR	TOTAL SHEETS 399	SHEET NO. 194
		PLOT SCALE = 2,000' / IN.	DRAWN - SAW	REVISED -		SCALE: NONE	SHEET S-67 OF S-234 SHEETS	S.N. 082-0322 & S.N. 082-0324	CONTRACT NO. 76C76		FED. ROAD DIST. NO. [ILLINOIS] FED. AID PROJECT	
		PLOT DATE = 6/7/2011	DATE - 07-01-2011	REVISED -								