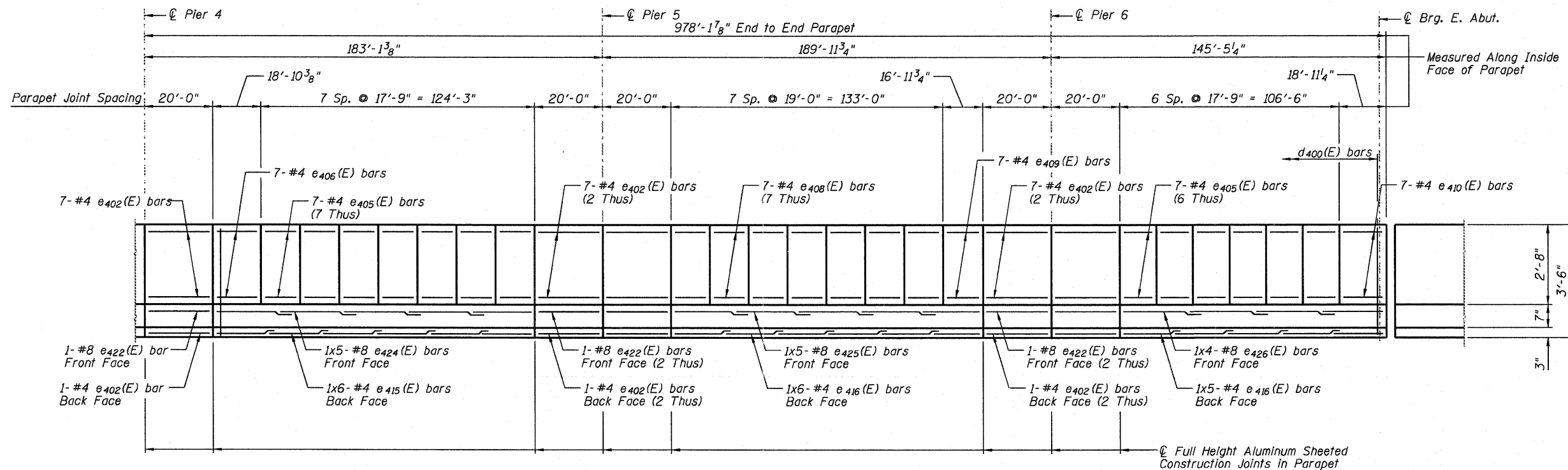


INSIDE ELEVATION OF NORTH PARAPET



INSIDE ELEVATION OF NORTH PARAPET

MIN. BAR LAP
 #4 bar = 2'-0"
 #8 bar = 5'-2"

D:\11-0820322-0820324-76C76-571-140-0000\Drawings\0820324.dgn

	USER NAME = Scott Whitney	DESIGNED - JLA	REVISED -	STATE OF ILLINOIS DEPARTMENT OF TRANSPORTATION	PARAPET ELEVATIONS - S.N. 082-0324 - I I-70E OVER I-55, CSX & KCS RAILROADS		F.A.I. RTE. = 70	SECTION = 82-1-B-2	COUNTY = ST. CLAIR	TOTAL SHEETS = 399	SHEET NO. = 198
	PLOT SCALE = 2.0000' / IN.	CHECKED - DAZ	REVISED -				S.N. 082-0322 & S.N. 082-0324	CONTRACT NO. 76C76			
	PLOT DATE = 6/7/2011	DRAWN - SAW	REVISED -				FED. ROAD DIST. NO. = ILLINOIS	FED. AID PROJECT			
	DATE = 07-01-2011	REVISED -	SCALE: NONE				SHEET 5-71 OF 5-234 SHEETS				