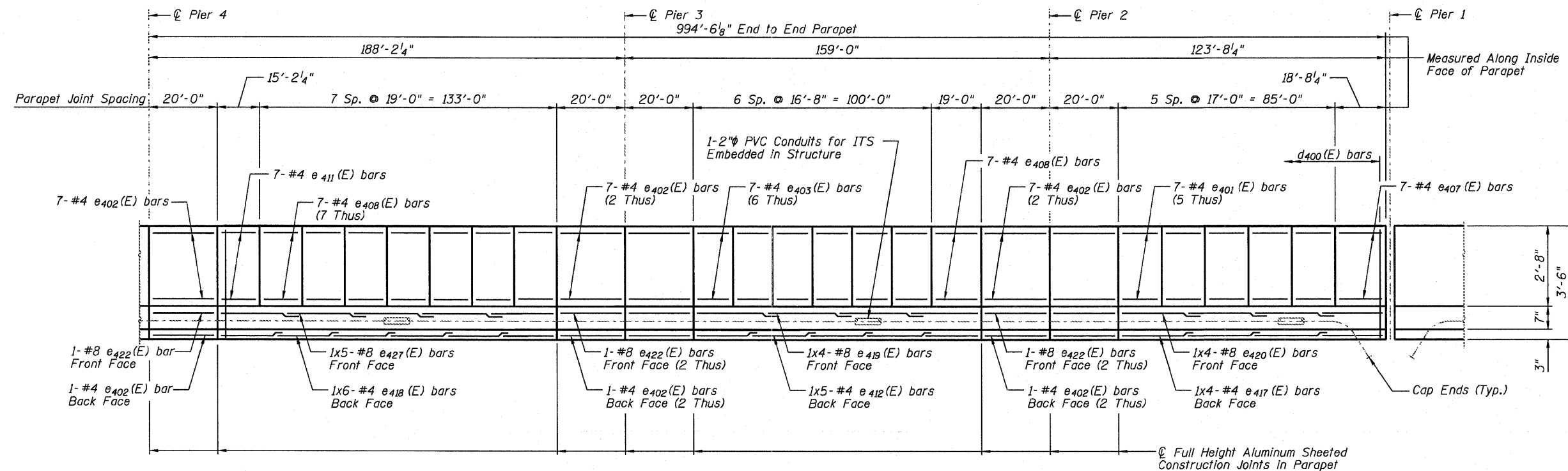


INSIDE ELEVATION OF SOUTH PARAPET



INSIDE ELEVATION OF SOUTH PARAPET

MIN. BAR LAP
 #4 bar = 2'-0"
 #8 bar = 5'-2"

D:\11-0820322-0820324-76716-512-SP-0820324.dgn



USER NAME = Scott Whitney
 PLOT SCALE = 2.0000' / IN.
 PLOT DATE = 6/7/2011

DESIGNED - JLA
 CHECKED - DAZ
 DRAWN - SAW
 DATE - 07-01-2011

REVISED -
 REVISED -
 REVISED -
 REVISED -

STATE OF ILLINOIS
 DEPARTMENT OF TRANSPORTATION

PARAPET ELEVATIONS - S.N.082-0324 - II
 I-70E OVER I-55, CSX & KCS RAILROADS

SCALE: NONE SHEET S-72 OF S-234 SHEETS

F.A.I. RTE.	SECTION	COUNTY	TOTAL SHEETS	SHEET NO.
70	82-1-B-2	ST. CLAIR	399	199
S.N. 082-0322 & S.N. 082-0324		CONTRACT NO. 76C76		
FED. ROAD DIST. NO.		ILLINOIS FED. AID PROJECT		