

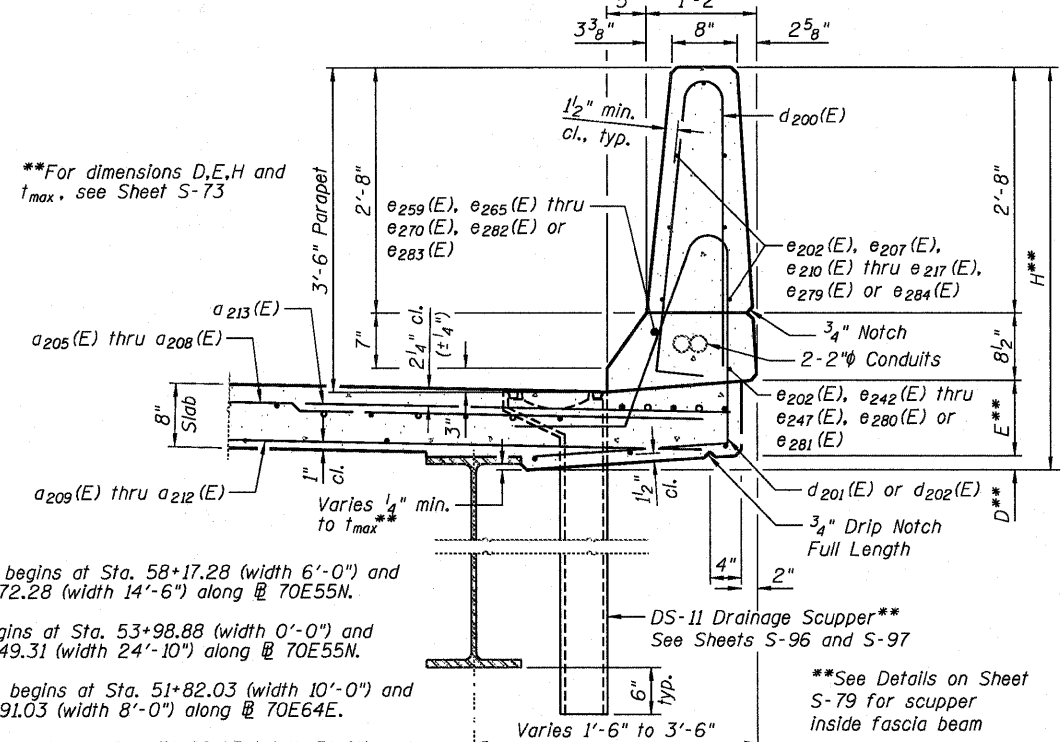
**DECK CROSS SECTION - UNIT 2**

(Looking Upstation)  
 Dimensions radial from @ 70E55N U.N.O.  
 \*Dimensions radial from @ 70E64E

Shoulder	Lane	Lane	Gore	Lane	Shoulder
6'-0"	12'-0"	12'-0"	Varies	16'-0"	10'-0"
Shoulder	Lane 3.40%	Top of Slab	Varies 3.32% to 3.23%	Lane 3.40%	Shoulder
Sta. 56+86.00 to Sta. 57+00.00					
6'-0"	12'-0"	12'-0"	Varies	16'-0"	10'-0"
Shoulder	Lane 3.40%	Top of Slab	Varies 3.23% to 2.44%	Lane 3.40%	Shoulder
Sta. 57+00.00 to Sta. 57+50.00					
6'-0"	12'-0"	12'-0"	Varies	16'-0"	10'-0"
Shoulder	Lane 3.40%	Top of Slab	Varies 2.44% to 2.03%	Lane 3.40%	Shoulder
Sta. 57+50.00 to Sta. 57+82.54					
6'-0"	12'-0"	12'-0"	Varies	16'-0"	10'-0"
Shoulder	Lane Varies 3.40% to 2.92%	Top of Slab	Varies 2.03% to 1.75%	Lane 3.40%	Shoulder
Sta. 57+82.54 to Sta. 58+00.00					
Shoulder	Lane	Top of Slab	Varies	Lane	Shoulder
Shoulder	Lane Varies 2.92% to 1.53%	Top of Slab	Varies 1.75% to 1.18%	Lane 3.40%	Shoulder
Sta. 58+00.00 to Sta. 58+50.00					
Shoulder	Lane	Top of Slab	Varies	Lane	Shoulder
Shoulder	Lane Varies 1.53% to 0.00%	Top of Slab	Varies 1.18% to 0.79%	Lane 3.40%	Shoulder
Sta. 58+50.00 to Sta. 59+05.24					
Shoulder	Lane	Top of Slab	Varies	Lane	Shoulder
Shoulder	Lane Varies 0.00% to 0.43%	Top of Slab	Varies 0.79% to 0.83%	Lane 3.40%	Shoulder
Sta. 59+05.24 to Sta. 59+20.57					

**DECK CROSS SLOPE DETAIL UNIT 2**

Dimensions radial from @ 70E55N U.N.O.  
 \*Dimensions radial from @ 70E64E



**NOTES:**

- Shoulder taper begins at Sta. 58+17.28 (width 6'-0") and ends at Sta. 60+72.28 (width 14'-6") along @ 70E55N.
- Gore taper begins at Sta. 53+98.88 (width 0'-0") and ends at Sta. 60+49.31 (width 24'-10") along @ 70E55N.
- Shoulder taper begins at Sta. 51+82.03 (width 10'-0") and ends at Sta. 52+91.03 (width 8'-0") along @ 70E64E.
- Overhang taper begins at Sta. 51+82.03 (width 3'-6") and ends at Sta. 52+91.09 (width 1'-6") along @ 70E64E.

Shoulder	Lane	Lane	Gore	Lane	Shoulder
Shoulder	Lane	Top of Slab	Varies	Lane	Shoulder
Shoulder	Lane Varies 0.43% to 1.24%	Top of Slab	Varies 0.83% to 0.92%	Lane 3.40% to 2.64%	Shoulder
Sta. 59+20.57 to Sta. 59+50.00					
Shoulder	Lane	Top of Slab	Varies	Lane	Shoulder
Shoulder	Lane Varies 1.24% to 2.63%	Top of Slab	Varies 0.92% to 1.42%	Lane 2.64% to 1.33%	Shoulder
Sta. 59+50.00 to Sta. 60+00.00					
Shoulder	Lane	Top of Slab	Varies	Lane	Shoulder
Shoulder	Lane Varies 2.63% to 4.00%	Top of Slab	Varies 1.42% to 1.70%	Lane 1.33% to 0.0%	Shoulder
Sta. 60+00.00 to Sta. 60+49.31					
Shoulder	Lane	Top of Slab	Shoulder	Shoulder	
Shoulder	Lane Varies 4.00% to 5.80%	Top of Slab	Shoulder Varies 1.70% to 5.80%	Shoulder	
Sta. 60+49.31 to Sta. 61+14.04					
Shoulder	Lane	Top of Slab	Shoulder	Shoulder	
Shoulder	Lane 5.80%	Top of Slab	Shoulder	Shoulder	
Sta. 61+14.04 to Sta. 61+78					
10'-0" Shoulder	16'-0" Lane	8'-0" Shoulder	Top of Slab		
1.70% (A)	2.84% (B)	0.02% (A)			
2.05% (B)					

**DECK CROSS SLOPE DETAIL UNIT 2**

Dimensions radial from @ 70E55N U.N.O.  
 \*Dimensions radial from @ 70E64E

081R1-082022-082024-7675-574-Unit2DeckCrossSection-022.dgn