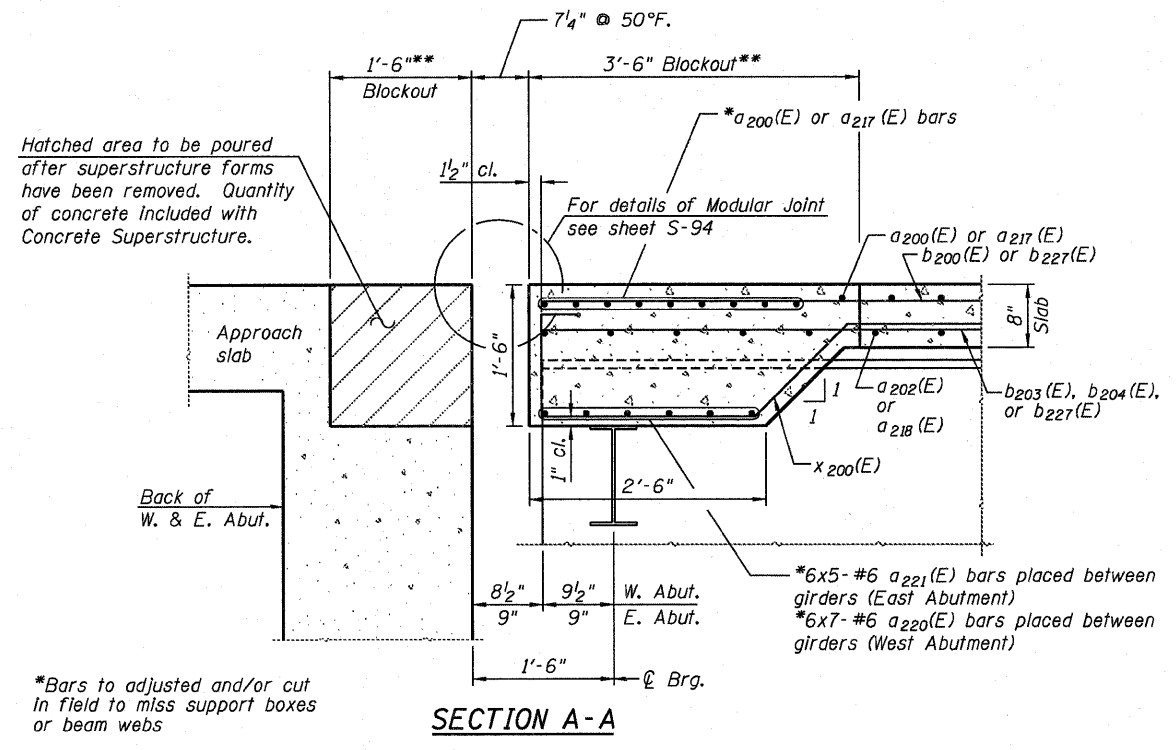
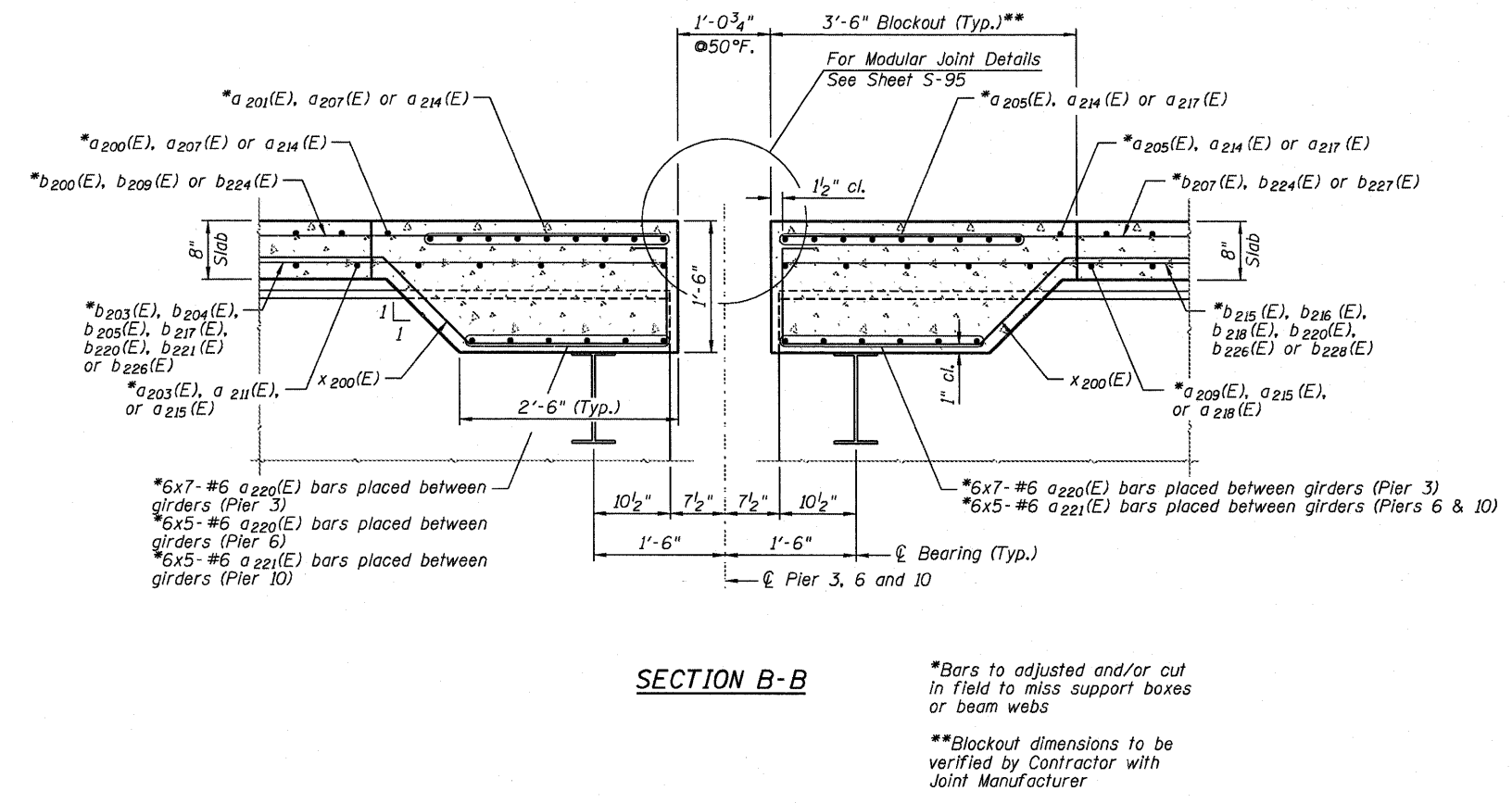


**CROSS SECTION UNITS 3 & 4**  
(Looking Upstation)  
Dimensions Radial from 70E55N



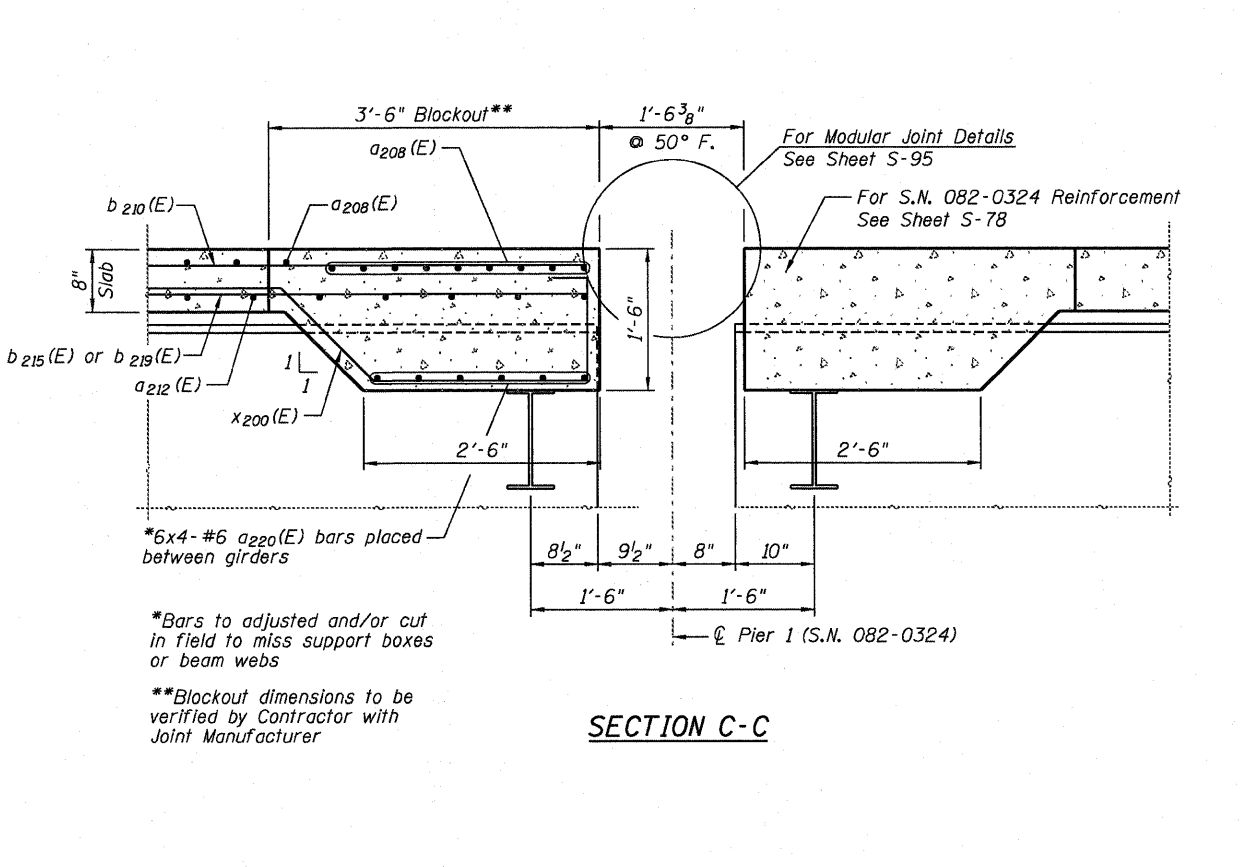
**SECTION A-A**

\*Bars to adjusted and/or cut in field to miss support boxes or beam webs  
\*\*Blockout dimensions to be verified by Contractor with Joint Manufacturer



**SECTION B-B**

\*Bars to adjusted and/or cut in field to miss support boxes or beam webs  
\*\*Blockout dimensions to be verified by Contractor with Joint Manufacturer



**SECTION C-C**

\*Bars to adjusted and/or cut in field to miss support boxes or beam webs  
\*\*Blockout dimensions to be verified by Contractor with Joint Manufacturer

D:\TR\0820322-0820324-76C76-575-Unit3DeckCrossSections-022.dgn

	USER NAME = Scott Whitney PLOT SCALE = 2,0000' / IN. PLOT DATE = 6/7/2011	DESIGNED - JLA CHECKED - DAZ DRAWN - SAW DATE - 07-01-2011	REVISED - REVISED - REVISED - REVISED -	<b>STATE OF ILLINOIS</b> <b>DEPARTMENT OF TRANSPORTATION</b>	<b>DECK CROSS SECTIONS - UNITS 3 &amp; 4</b> <b>I-70E OVER I-55, CSX &amp; KCS RAILROADS</b>	F.A.I. RTE. = 70 SECTION = 82-1-B-2 COUNTY = ST. CLAIR TOTAL SHEETS = 399 SHEET NO. = 202	S.N. 082-0322 & S.N. 082-0324 CONTRACT NO. 76C76	FED. ROAD DIST. NO. [ILLINOIS] FED. AID PROJECT
	SCALE: NONE SHEET S-75 OF S-234 SHEETS							