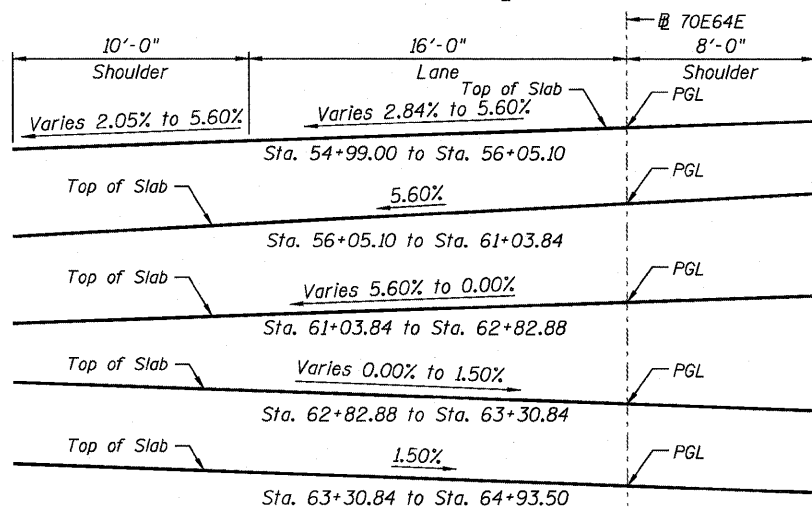
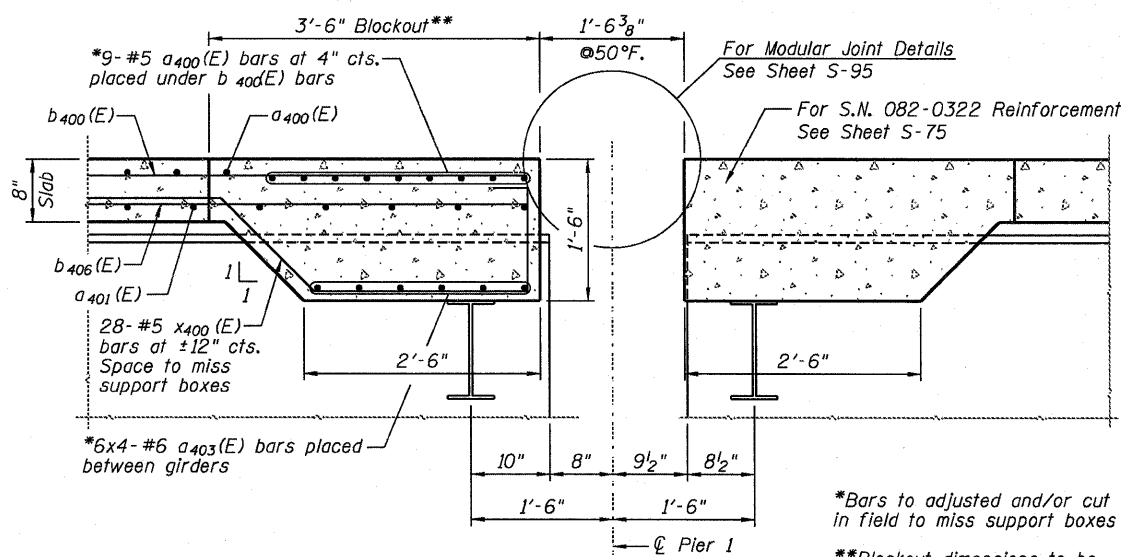


CROSS SECTION

(Looking Upstation)
Dimensions Radial from 70E64N

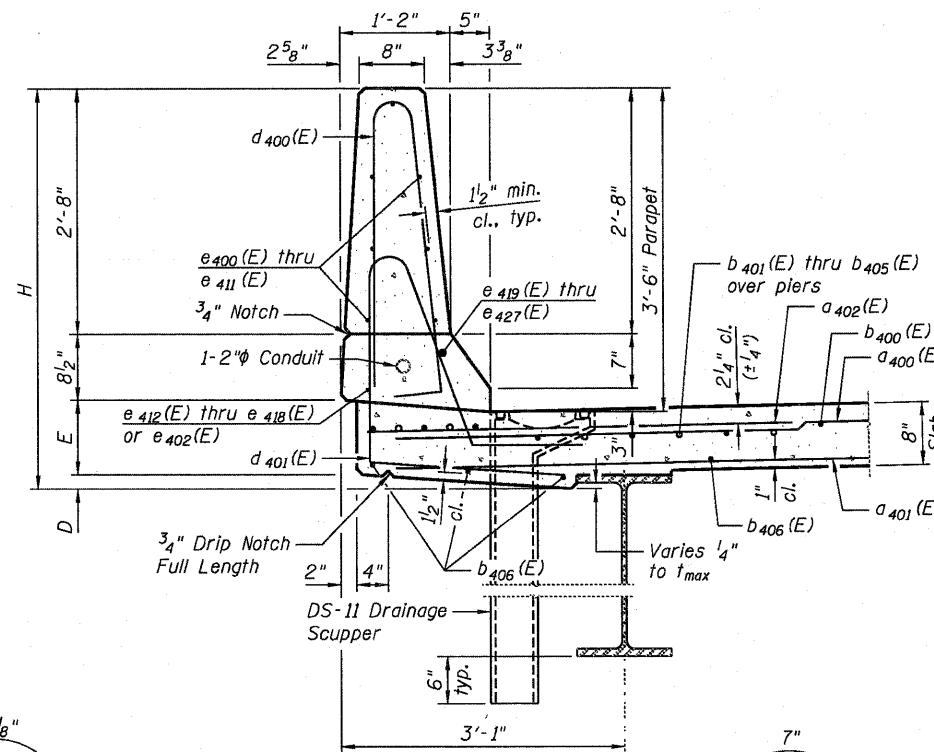


DECK CROSS SLOPE DETAIL



SECTION D-D

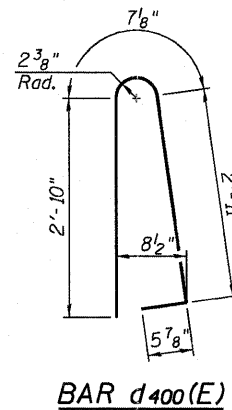
*Bars to adjusted and/or cut in field to miss support boxes
**Blockout dimensions to be verified by Contractor with Joint Manufacturer



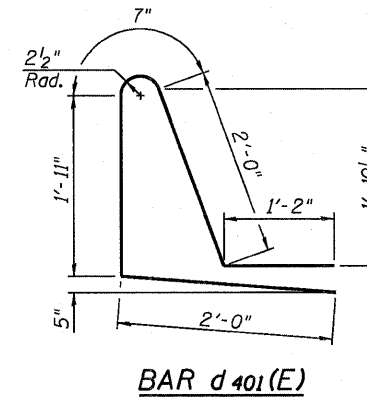
SECTION THRU PARAPET

TABLE OF DIMENSIONS

| Girder | Parapet | D | E | H | t _{max} |
|--------|---------|----|--------|-----------|------------------|
| G5 | North | 4" | 9 1/2" | 4'-6" | 3 1/2" |
| G1 | South | 5" | 9 7/8" | 4'-7 3/8" | 4 1/8" |

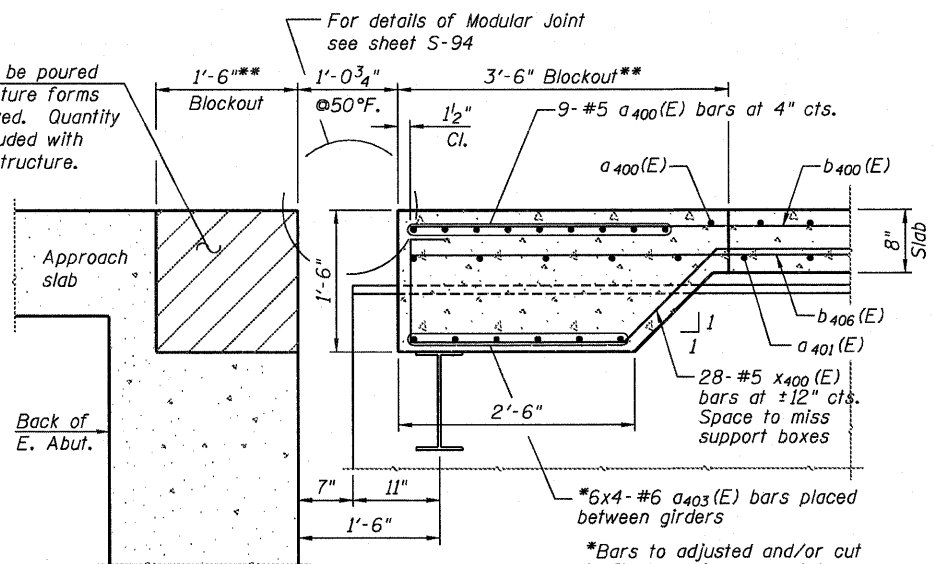


BAR d400(E)



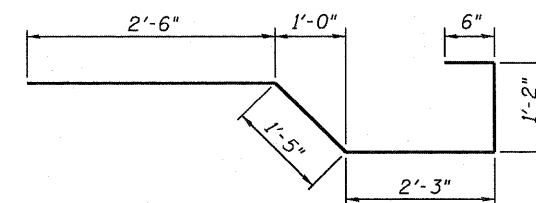
BAR d401(E)

Hatched area to be poured after superstructure forms have been removed. Quantity of concrete included with Concrete Superstructure.



SECTION E-E

*Bars to adjusted and/or cut in field to miss support boxes
**Blockout dimensions to be verified by Contractor with Joint Manufacturer



BAR x400(E)

SUPERSTRUCTURE BILL OF MATERIAL

| Bar | No. | Size | Length | Shape |
|---|------|---------|---------|-------|
| a400(E) | 2189 | #5 | 36'-6" | |
| a401(E) | 1327 | #5 | 36'-2" | |
| a402(E) | 4340 | #6 | 6'-6" | |
| a403(E) | 48 | #6 | 7'-6" | |
| a404(E) | 40 | #5 | 1'-6" | |
| b400(E) | 1558 | #5 | 29'-4" | |
| b401(E) | 114 | #6 | 30'-0" | |
| b402(E) | 190 | #6 | 24'-0" | |
| b403(E) | 190 | #6 | 25'-0" | |
| b404(E) | 190 | #6 | 24'-6" | |
| b405(E) | 190 | #6 | 24'-3" | |
| b406(E) | 1326 | #5 | 28'-8" | |
| d400(E) | 2154 | #5 | 6'-10" | |
| d401(E) | 2154 | #5 | 7'-8" | |
| e400(E) | 7 | #4 | 16'-6" | |
| e401(E) | 77 | #4 | 16'-8" | |
| e402(E) | 160 | #4 | 19'-8" | |
| e403(E) | 84 | #4 | 16'-4" | |
| e404(E) | 7 | #4 | 14'-5" | |
| e405(E) | 182 | #4 | 17'-5" | |
| e406(E) | 14 | #4 | 18'-7" | |
| e407(E) | 7 | #4 | 18'-4" | |
| e408(E) | 203 | #4 | 18'-8" | |
| e409(E) | 7 | #4 | 16'-8" | |
| e410(E) | 14 | #4 | 18'-8" | |
| e411(E) | 14 | #4 | 14'-11" | |
| e412(E) | 5 | #4 | 25'-4" | |
| e413(E) | 4 | #4 | 27'-0" | |
| e414(E) | 5 | #4 | 24'-6" | |
| e415(E) | 12 | #4 | 25'-6" | |
| e416(E) | 22 | #4 | 26'-8" | |
| e417(E) | 4 | #4 | 27'-5" | |
| e418(E) | 12 | #4 | 26'-4" | |
| e419(E) | 4 | #8 | 33'-7" | |
| e420(E) | 4 | #8 | 29'-10" | |
| e421(E) | 4 | #8 | 29'-4" | |
| e422(E) | 20 | #8 | 19'-8" | |
| e423(E) | 4 | #8 | 32'-6" | |
| e424(E) | 10 | #8 | 32'-9" | |
| e425(E) | 10 | #8 | 34'-1" | |
| e426(E) | 8 | #8 | 35'-2" | |
| e427(E) | 10 | #8 | 33'-9" | |
| x400(E) | 56 | #5 | 7'-10" | |
| Reinforcement Bars, Epoxy Coated | | Pound | 346,760 | |
| Concrete Superstructure | | Cu. Yd. | 1,262.0 | |
| Bridge Deck Grooving | | Sq. Yd. | 3,507 | |
| Protective Coat | | Sq. Yd. | 4,672 | |
| Conduit Embedded in Structure, 2" Dia., PVC | | Feet | 998 | |

D:\11-0820322-0820324-76276-578-DeckCrossSections-024.dgn



USER NAME = Scott Whitney
PLOT SCALE = 2.0000' / IN.
PLOT DATE = 6/7/2011

DESIGNED - JLA
CHECKED - DAZ
DRAWN - SAW
DATE - 07-01-2011

REVISED -
REVISED -
REVISED -
REVISED -

STATE OF ILLINOIS
DEPARTMENT OF TRANSPORTATION

DECK CROSS SECTIONS & BILL OF MATERIAL - S.N.082-0324
I-70E OVER I-55, CSX & KCS RAILROADS

SCALE: NONE SHEET S-78 OF S-234 SHEETS

| F.A.I. RTE. | SECTION | COUNTY | TOTAL SHEETS | SHEET NO. |
|-------------------------------|----------|---------------------------|--------------|-----------|
| 70 | 82-1-B-2 | ST. CLAIR | 399 | 205 |
| S.N. 082-0322 & S.N. 082-0324 | | CONTRACT NO. 76C76 | | |
| FED. ROAD DIST. NO. | | ILLINOIS FED. AID PROJECT | | |