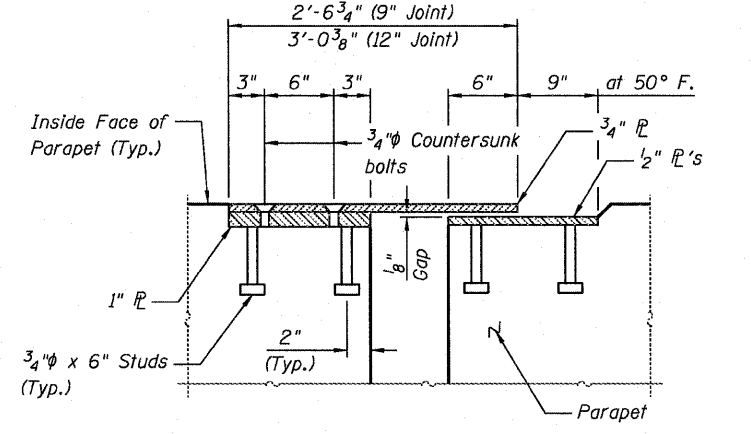
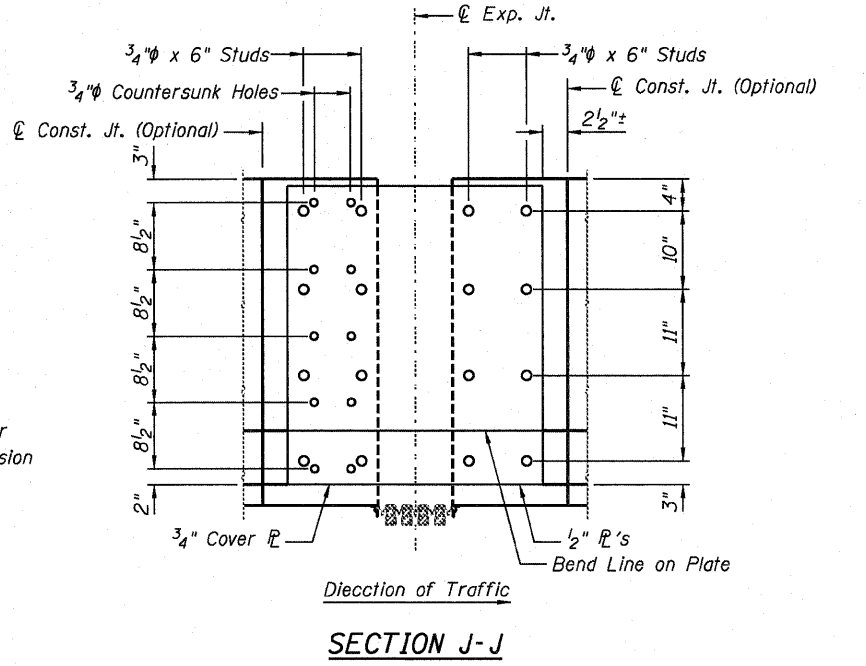
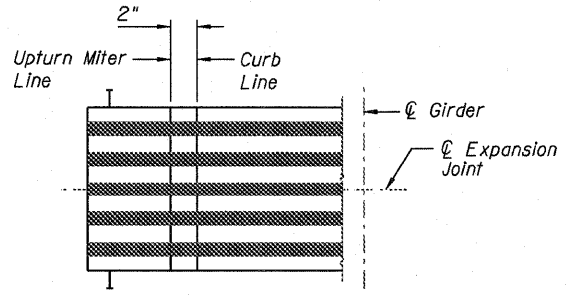
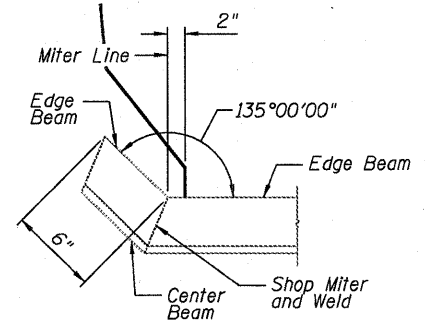
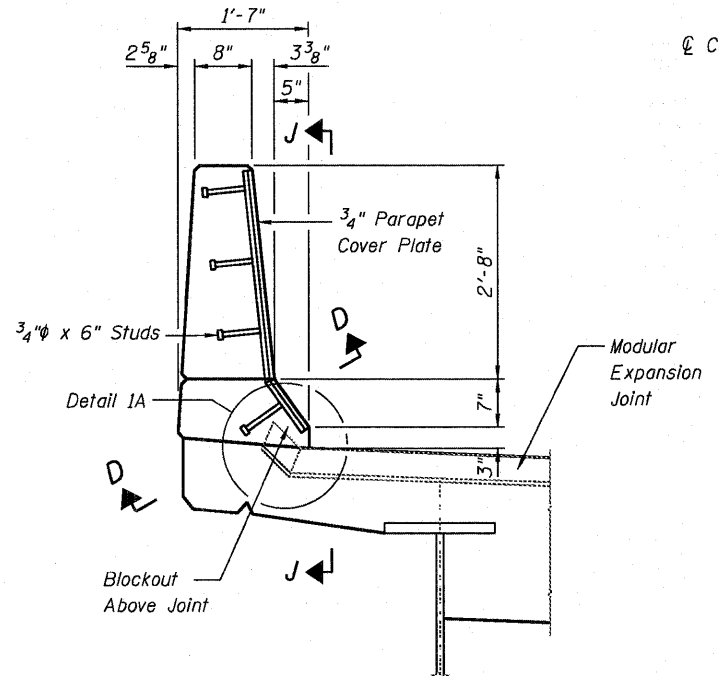


*Number of beams and rails determined by manufacturer.
 ** Blockout dimensions to be verified by Contractor with Joint Manufacturer.



D:\171-082022-082024-76C76-S95-ME.DWG

	USER NAME = Scott Whitney PLOT SCALE = 2.0000' / IN. PLOT DATE = 6/7/2011	DESIGNED - JLA CHECKED - DAZ DRAWN - SAW DATE - 07-01-2011	REVISED - REVISED - REVISED - REVISED -	STATE OF ILLINOIS DEPARTMENT OF TRANSPORTATION	MODULAR EXPANSION JOINT - DETAILS AT PIERS I-70E OVER I-55, CSX & KCS RAILROADS	F.A.I. RTE. 70 SECTION 82-1-B-2 S.N. 082-0322 & S.N. 082-0324 FED. ROAD DIST. NO. [ILLINOIS] FED. AID PROJECT	COUNTY ST. CLAIR TOTAL SHEETS 399 SHEET NO. 222	CONTRACT NO. 76C76
	SCALE: NONE SHEET S-95 OF S-234 SHEETS							