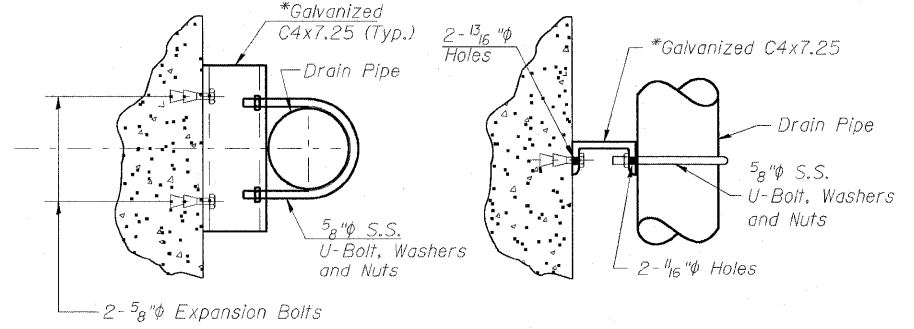


ELEVATION VIEW
(Looking East-Pier 1)
(Looking West-Piers 6 & 10)

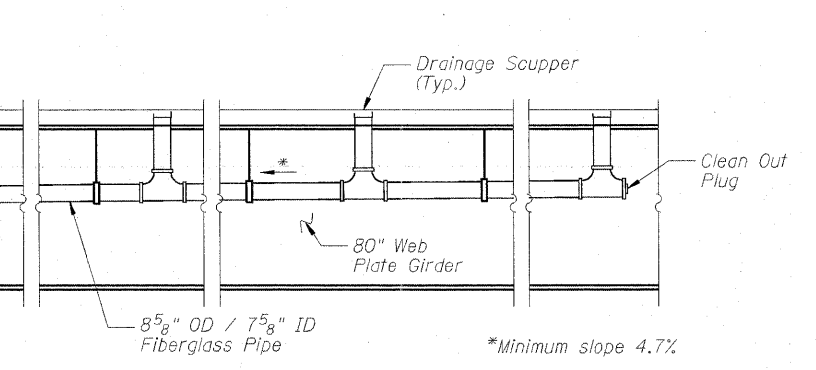
DRAINAGE SYSTEM
 • Pier 1 S.N. 082-0322
 • Pier 6 S.N. 082-0324
 • Pier 10 S.N. 082-0322



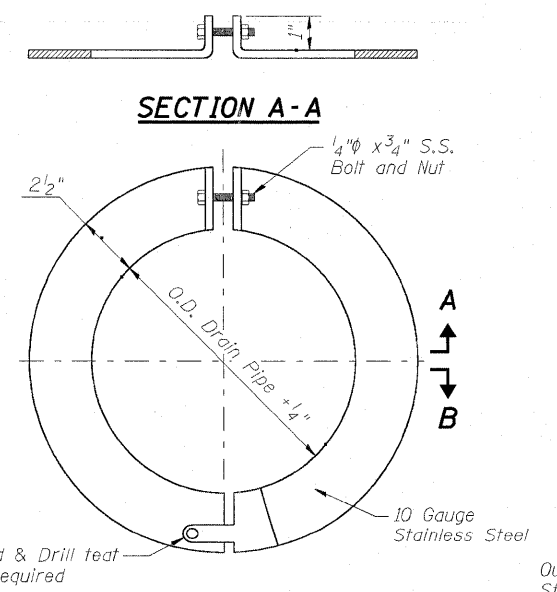
PLAN

ELEVATION

PIPE SUPPORT DETAIL
 *Provide curved C6x8.2 to fit Round Pier Columns where needed

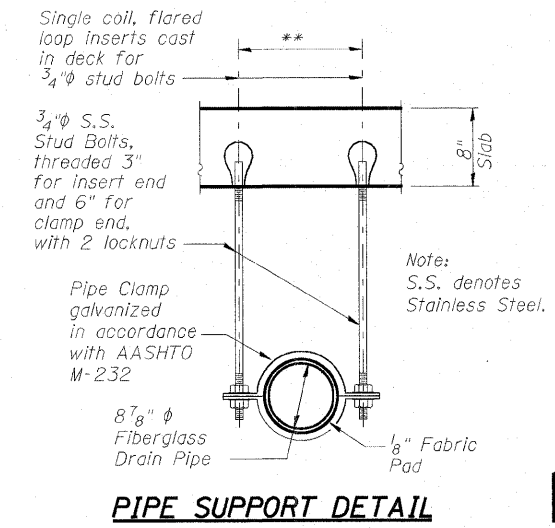


END VIEW
(Looking North-Pier 1)
(Looking South-Piers 6 & 10)



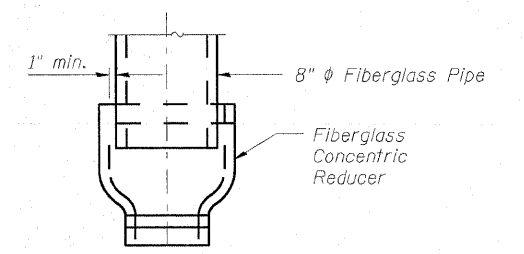
SECTION A-A

SECTION B-B
DETAIL OF EXPANSION COLLAR



PIPE SUPPORT DETAIL

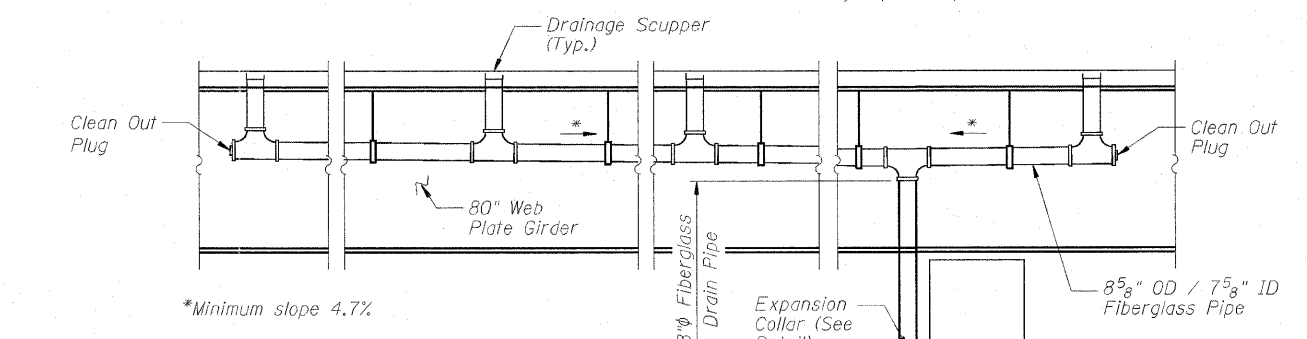
** Dimension as required by Pipe Clamp



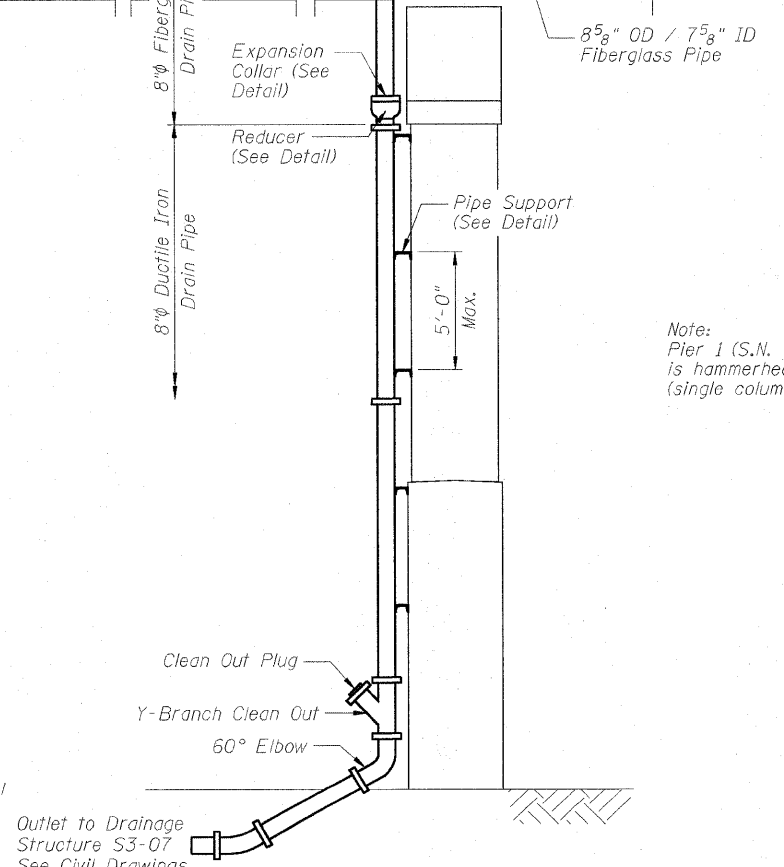
REDUCER DETAIL

BILL OF MATERIAL

ITEM	UNIT	QUANTITY
Drainage System	L. Sum	1

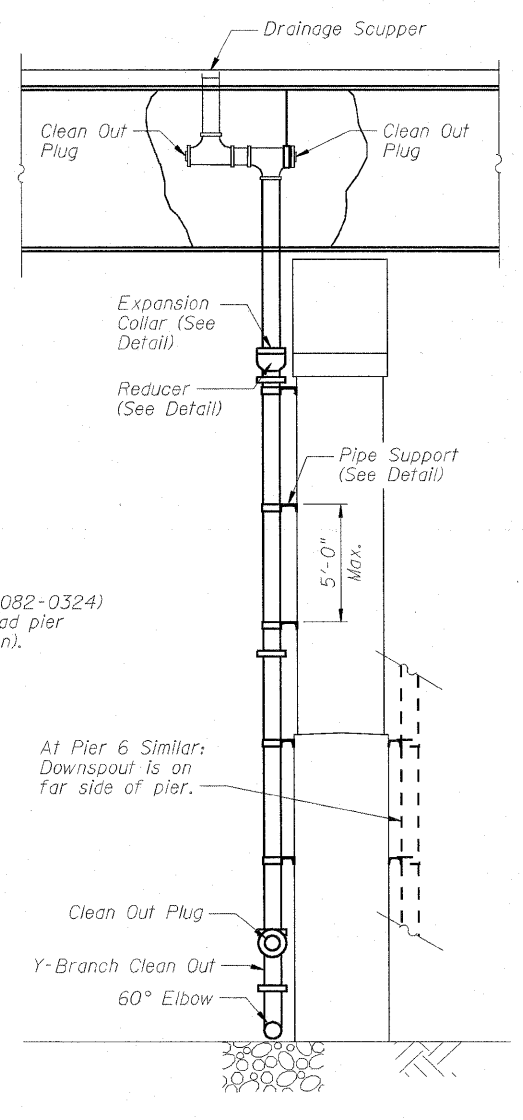


*Minimum slope 4.7%



END VIEW
(Looking North)

DRAINAGE SYSTEM
• Pier 5 S.N. 082-0322



END VIEW
(Looking North)

DRAINAGE SYSTEM
 • Pier 6 S.N. 082-0322 (Similar)
 • Pier 12 S.N. 082-0322
 • Pier 1 S.N. 082-0324 (Similar)

D:\P1\0820322-0820324-76C75-597-D:\en\img\5\stn\modjn