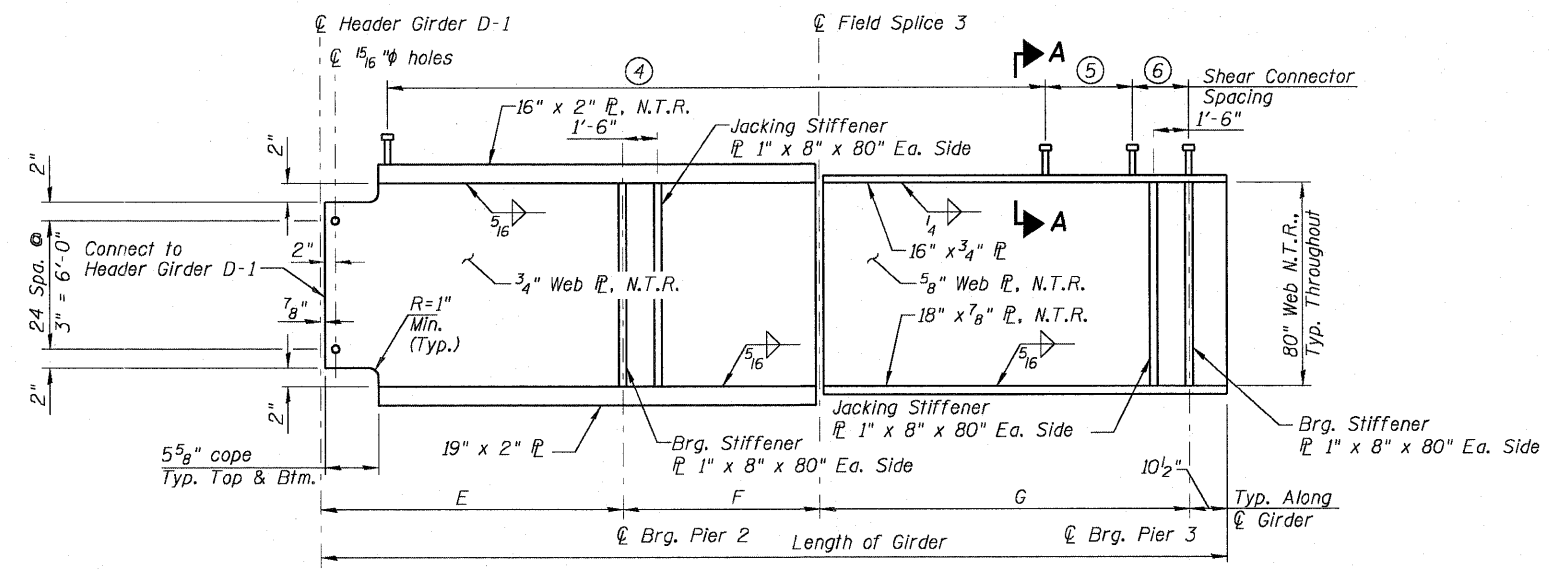
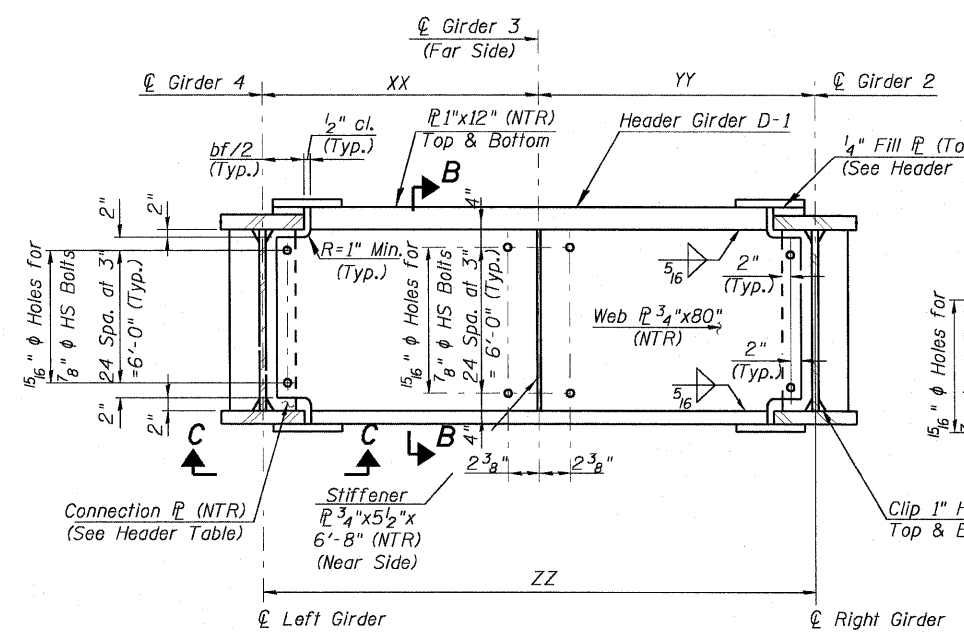


GIRDER ELEVATION - UNIT 1 - GIRDERS 1, 2 & 4 - 8

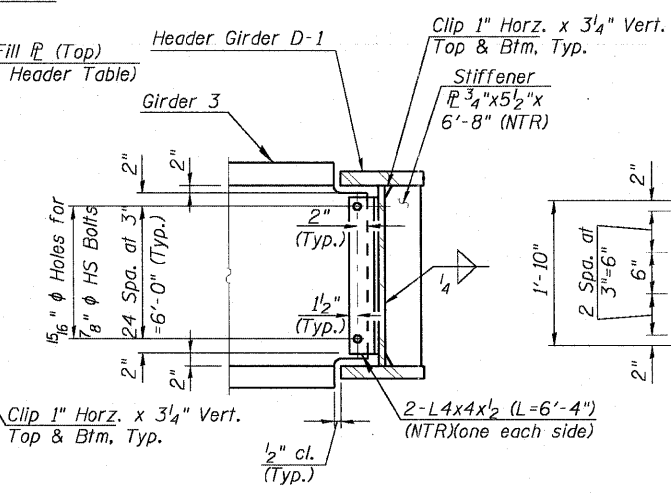
- Notes:
 1. Load carrying components designated "N.T.R." shall conform to the Supplemental Requirements for Notch Toughness, Zone 2.
 2. All steel on this sheet shall be AASHTO M270, Grade 50 Steel.



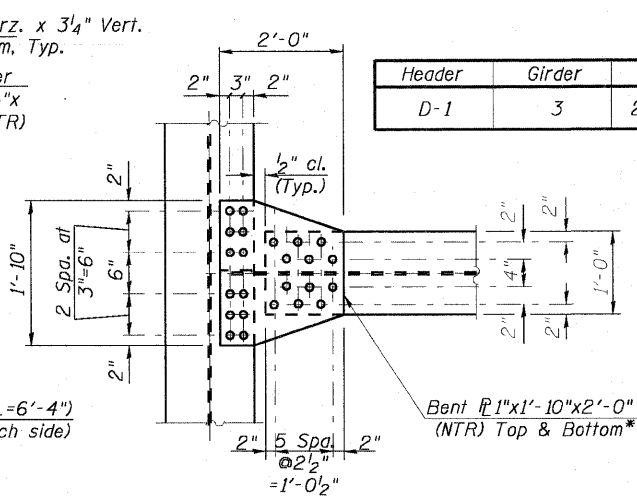
GIRDER ELEVATION - UNIT 1 - GIRDER 3



UNIT 1 - HEADER GIRDER D-1 ELEVATION
 (Girder 3 omitted for clarity)
 (Looking up Station)



SECTION B-B



SECTION C-C

* Gusset Plate to be bent at flange edge to accommodate slope of Header Girder

HEADER GIRDER TABLE

Header	Girder	XX	YY	ZZ	bf/2	Connection PL	Fill PL
D-1	3	2'-10 7/16"	6'-4 13/16"	9'-3 1/4"	8" Top 9" Btm.	PL 3/4" x 7 1/2" x 6'-8" (N.T.R.)	PL 1/4" x 7" x 1'-10" Top; None Bottom

HEADER SKEW TABLE

Header	Right Girder	Skew	Left Girder	Skew
D-1	2	0°	4	1.487° FL

Girder 3 is at right angles to Header D-1
 FL = Forward Left



USER NAME =	DESIGNED - PUL	REVISED -
PLOT SCALE = 0=2.0000' 1" / IN.	DRAWN - BRD	REVISED -
PLOT DATE = 6/30/2011	CHECKED - CHY	REVISED -
	DATE - 07-01-11	REVISED -

**STATE OF ILLINOIS
 DEPARTMENT OF TRANSPORTATION**

**FRAMING PLAN - UNIT 1 - II
 I-70E OVER I-55, CSX & KCS RAILROADS**

SCALE: SHEET S-99 OF S-234 SHEETS STA. TO STA.

F.A.I. RTE. 70	SECTION 82-1-B-2	COUNTY ST. CLAIR	TOTAL SHEETS 399	SHEET NO. 226
S.N. 082-0322 & S.N. 082-0324		CONTRACT NO. 76C76		
FED. ROAD DIST. NO. [ILLINOIS] FED. AID PROJECT				