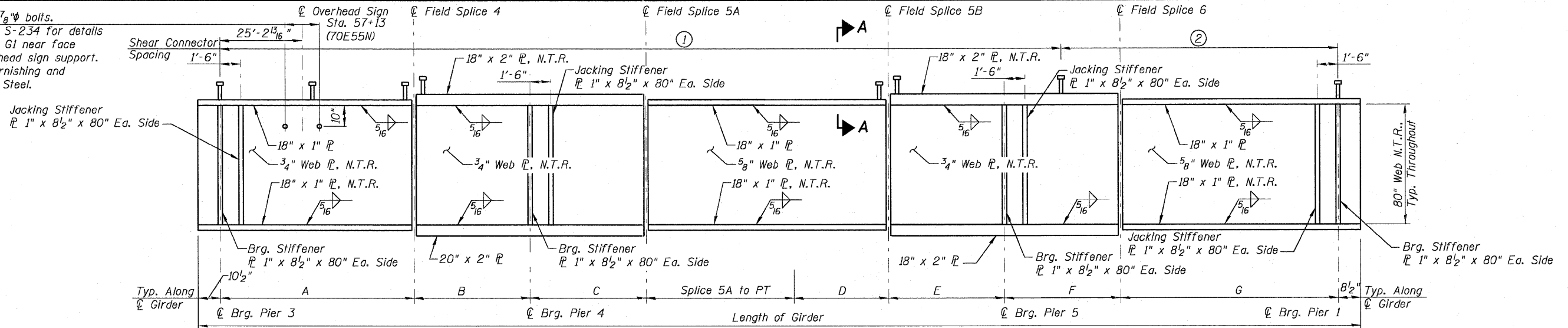
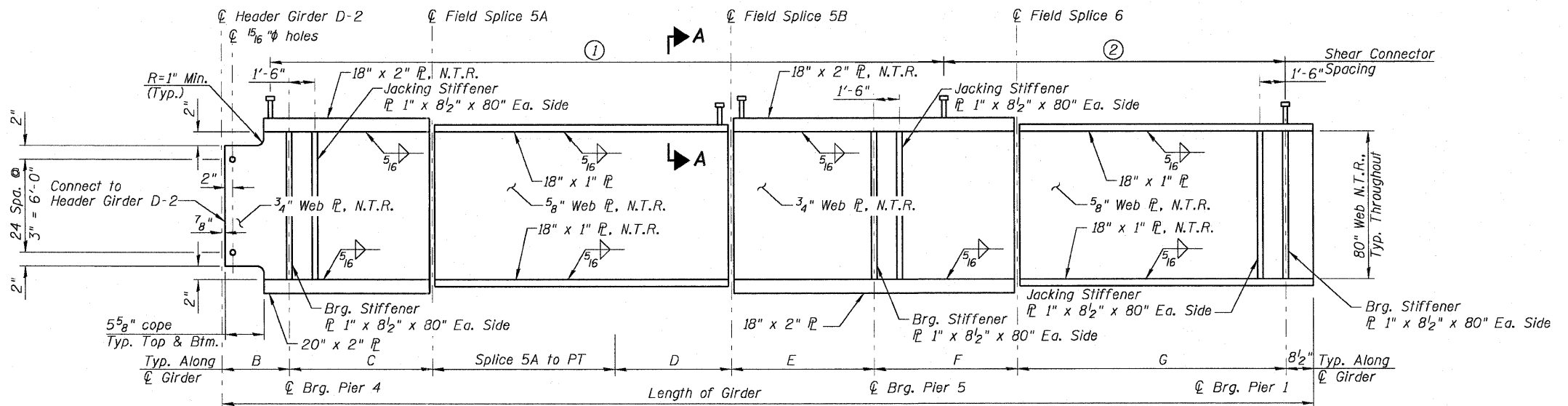


15/16" φ holes for 15-7/8" bolts.
See Sheet S-76 of S-234 for details of L4x3x1/2 bolted to G1 near face & far face at overhead sign support. Cost included in Furnishing and Erecting Structural Steel.



GIRDER ELEVATION - UNIT 2 - GIRDERS 1 - 4



GIRDER ELEVATION - UNIT 2 - GIRDER 5

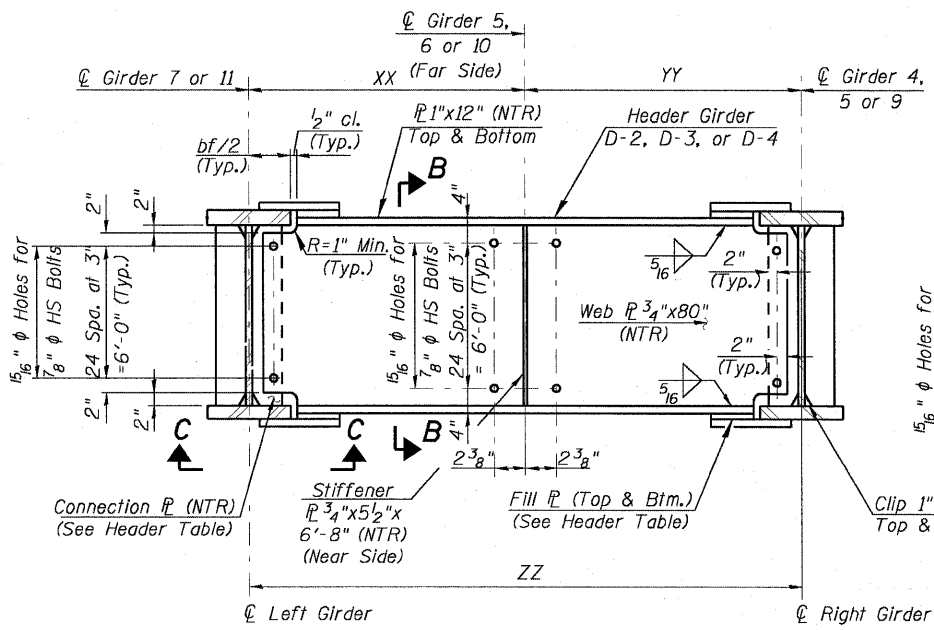
HEADER GIRDER TABLE

| Header | Girder | XX | YY | ZZ | bf/2 | Connection PL | Fill PL |
|--------|--------|------------|-------------|--------------|--------------------|----------------------------|---------------------------------------|
| D-2 | 5 | 3'-7 1/16" | 7'-2" | 10'-9 1/16" | 9" Top 10" Btm. | PL 3/4"x8 1/2"x6'-8" (NTR) | PL 1"x1'-0"x1'-4 1/2" Top & Bottom |
| D-3 | 6 | 9'-0" | 2'-8 15/16" | 11'-8 15/16" | 9" Top & Btm. | PL 3/4"x8 1/2"x6'-8" (NTR) | None |
| D-4 | 10 | 2'-8 7/16" | 6'-8" | 9'-4 7/16" | 9" Top & Btm. | PL 3/4"x8 1/2"x6'-8" (NTR) | None |

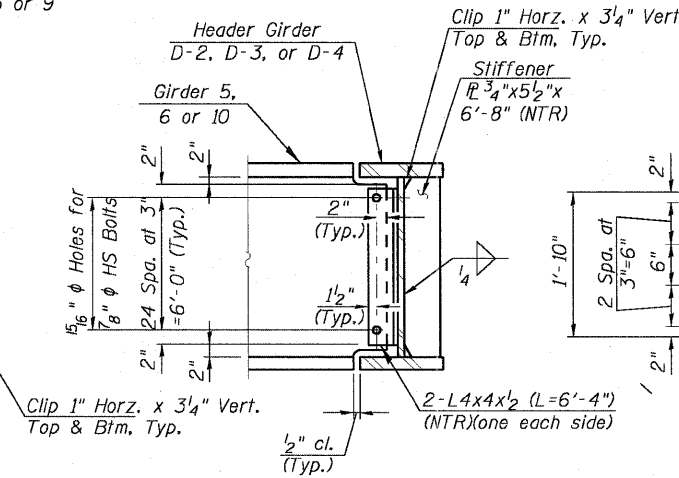
HEADER SKEW TABLE

| Header | Right Girder | Skew | Left Girder | Skew |
|--------|--------------|-----------|-------------|-----------|
| D-2 | 4 | 0° | 7 | 1.656° FL |
| D-3 | 5 | 4.235° FR | 7 | 0° |
| D-4 | 9 | 0° | 11 | 1.837° FL |

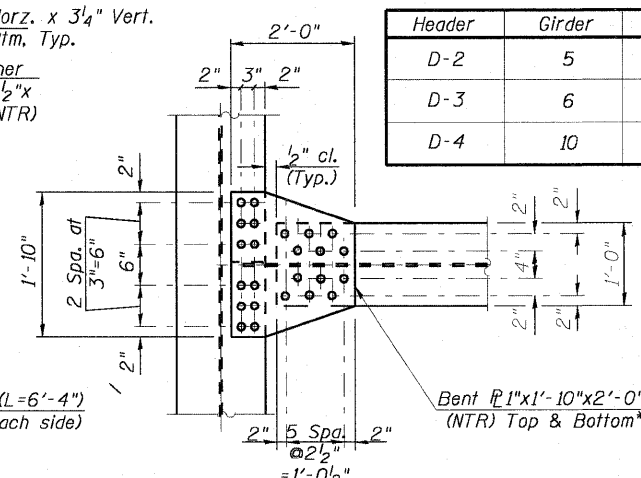
Girders 5, 6 & 10 are at right angles to Headers D-2, D-3 & D-4, respectively.
FR = Forward Right
FL = Forward Left



UNIT 2 - HEADER GIRDERS D-2, D-3 & D-4 ELEVATION
(Girder 5, 6 or 10 omitted for clarity)
(Looking up Station)



SECTION B-B



SECTION C-C

* Gusset Plate to be bent at flange edge to accommodate slope of Header Girder



| | | |
|---------------------------------|-----------------|-----------|
| USER NAME = | DESIGNED - PUL | REVISED - |
| PLOT SCALE = 0.25/1" = 1' / IN. | DRAWN - BRD | REVISED - |
| PLOT DATE = 6/30/2011 | CHECKED - CHY | REVISED - |
| | DATE - 07-01-11 | REVISED - |

STATE OF ILLINOIS
DEPARTMENT OF TRANSPORTATION

FRAMING PLAN - UNIT 2 - II
I-70E OVER I-55, CSX & KCS RAILROADS

SCALE: SHEET S-104 OF S-234 SHEETS STA. TO STA.

| | | | | |
|-------------------------------|--------------------|------------------|---|---------------|
| F.A.I. RTE. TO | SECTION 82-1-B-2 | COUNTY ST. CLAIR | TOTAL SHEETS 399 | SHEET NO. 231 |
| S.N. 082-0322 & S.N. 082-0324 | CONTRACT NO. 76C76 | | FED. ROAD DIST. NO. ILLINOIS FED. AID PROJECT | |